



# *Directional control Valves*

*G<sup>1</sup>/<sub>8</sub>, 3/2 and 5/2 Spool valves*

*Catalogue no: 2131GB-ca*



# Directional control valves G<sup>1/8</sup> 3/2 - 5/2

## Spool valves 3/2, 5/2 - G<sup>1/8</sup> Ports

Available in 3/2 or 5/2 versions, all valves including double pilot and double solenoid types may be mounted in any position. The balanced spool design ensures that operating forces remain unaffected by variations in inlet pressure.

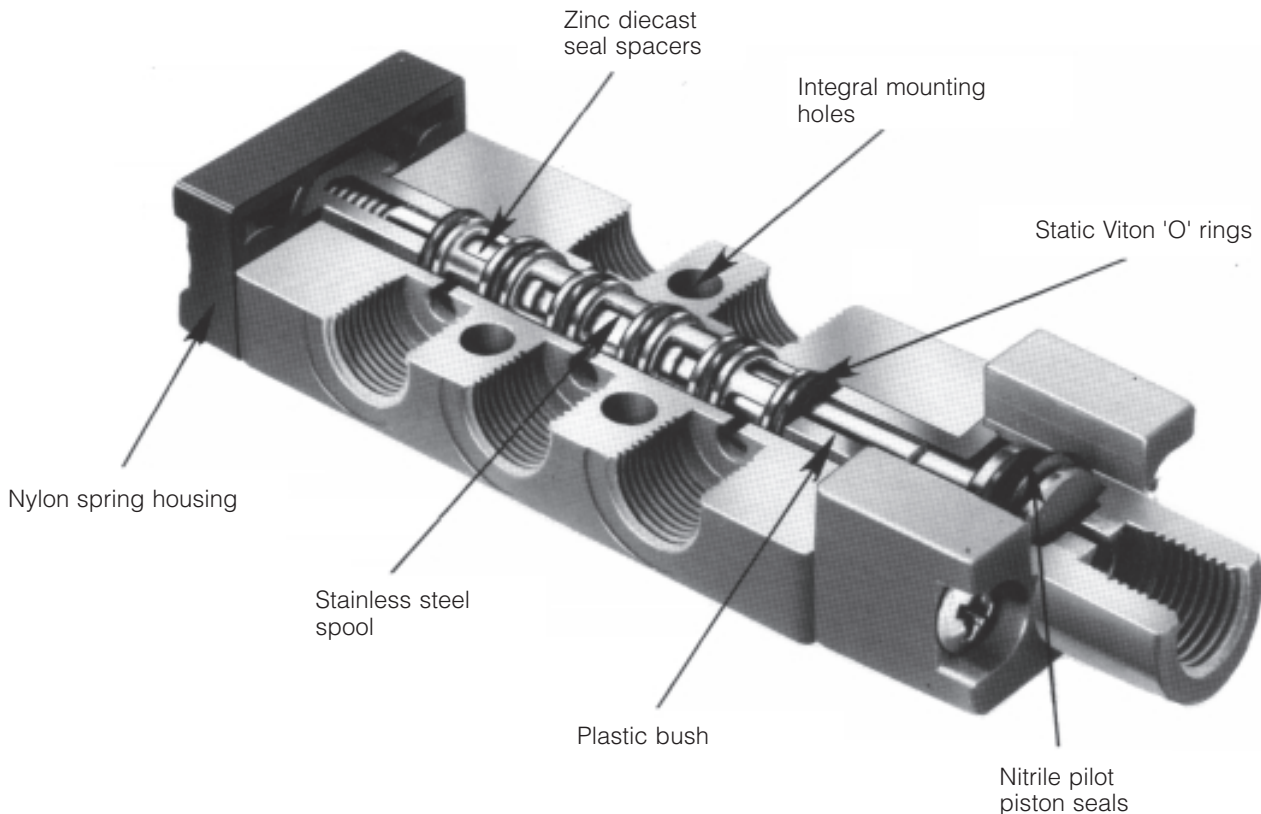
The body is a zinc alloy die-casting with stainless steel spool, sealed by viton rubber 'O' rings. All operating parts exposed to the working fluid are of non-corrosive material and all ports are threaded G<sup>1/8</sup> B.S.P. parallel. The block design of the body with its three mounting holes is ideally suited to close banking and all valves may be serviced without disturbing the pipework simply by unscrewing the actuator and return assemblies.

The 3/2 valve can be piped normally open or closed simply by changing the air inlet from the normal inlet port to the exhaust port, and the 5/2 valve can be piped in different variations to suit the application required. Midget spool valves can also be used as impulse type valves, when the signal is required at the end of the cylinder stroke or when the tripping cylinder or machine cam is too small to clear the mechanical trip of the valve.

Operation of the actuator on the 5/2 valve opens the cylinder port nearest to the actuator. On the 3/2 version the inlet is piped to the port furthest away from the actuator for normally closed operation, and to the port nearest the actuator for normally open. Any of the actuators may be fitted with spring or pilot return mechanism. Valves may also be supplied with the same actuator at both ends; e.g. double roller. Roller versions are designed to give a common height on both 3/2 and 5/2 valves to ensure uniformity and efficiency in a multi-valve assembly.

The reasonably short travel and lightweight spool ensures that extremely high operating speeds are possible. A double pilot 5/2 valve has been tested at over 3000 cycles per minute, but for practical purposes the operating speed of the valve is determined by cylinder stroke and bore size.

## Features



# Directional control valves G<sup>1/8</sup> 3/2 - 5/2

## Basic body dimensions (mm)

### Actuator mechanisms

### Basic bodies

### Return mechanisms

#### 3/2 body

#### Solenoid pilot

#### Air pilot

#### Mechanical

- Plunger
- Whisker
- Roller
- One way trip
- One way roller trip

#### Manual

- Button
- Lock down lever
- Palm lever
- Foot

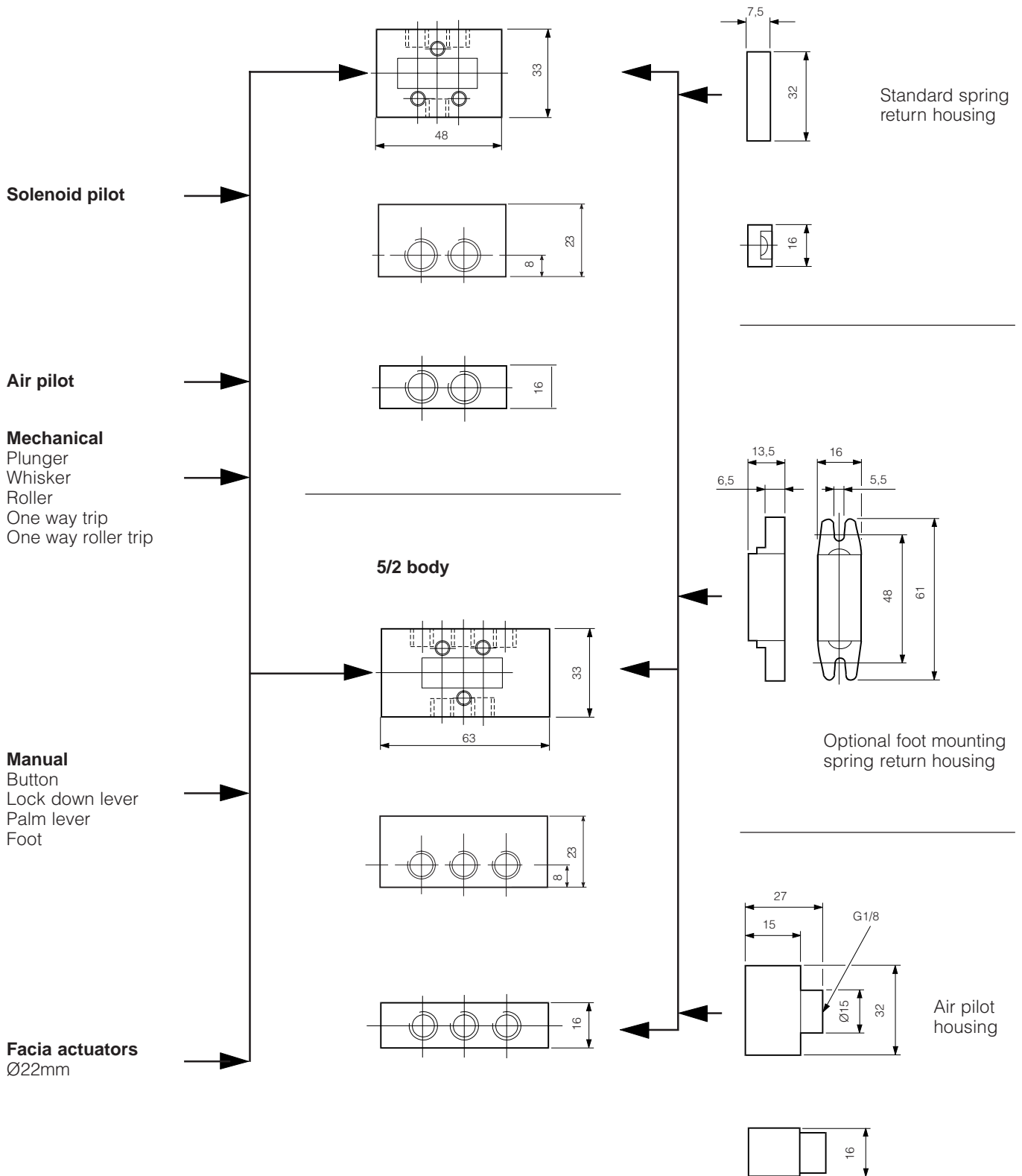
#### Facia actuators Ø22mm

#### 5/2 body

Standard spring return housing

Optional foot mounting spring return housing

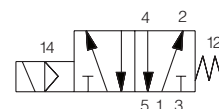
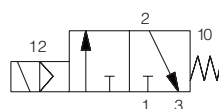
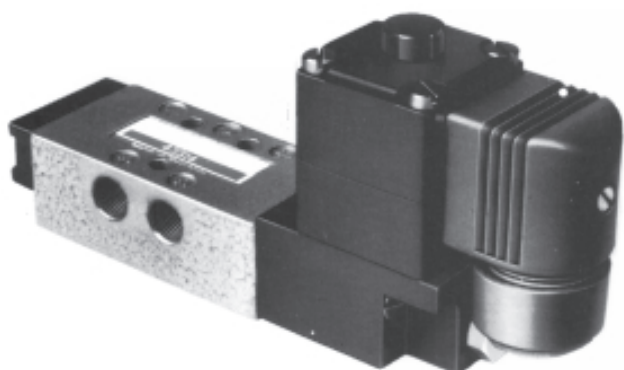
Air pilot housing



# Directional control valves G<sup>1</sup>/<sub>8</sub> 3/2 - 5/2

## Solenoid pilot operated - spring return

## Symbol



## Materials

Body	Zinc diecast
Actuator	Zinc diecast
Spool	Stainless steel
Bushes	Brass
Seals	Viton (valve body) Nitrile (solenoid)
Spring housing	Plastic

## Technical information

Type	Spool valve
Style	Body ported
Port size	G <sup>1</sup> / <sub>8</sub>
Mounting	Any plane
Temperature range	-10°C to +55°C

## Pneumatic information

Pressure range	Vacuum to 10 bar	
Minimum	Spring return	3 bar
Nominal Ø	3,2mm	
Nominal flow at 7 bar	7 dm <sup>3</sup> /s	
Cv factor	0,24	

## Electrical information

Power consumption	Inrush	Hold
AC	9VA	6VA
DC	5 Watt	
Rating	100% continuous	
Isolating class	F	
Protection class	IP 65 (P 54) DIN 40 050	
Connection	ISO 4400, BS 56361	

## Voltage selection

Suffix	50 Hz	D.C.
T	10-13	5-6.5
TA	20-26	10-13
TF	44-55	20-26
TC	85-110	44-55
S	94-120	47-60
TS	153-198	76-99
SA	204-264	102-132

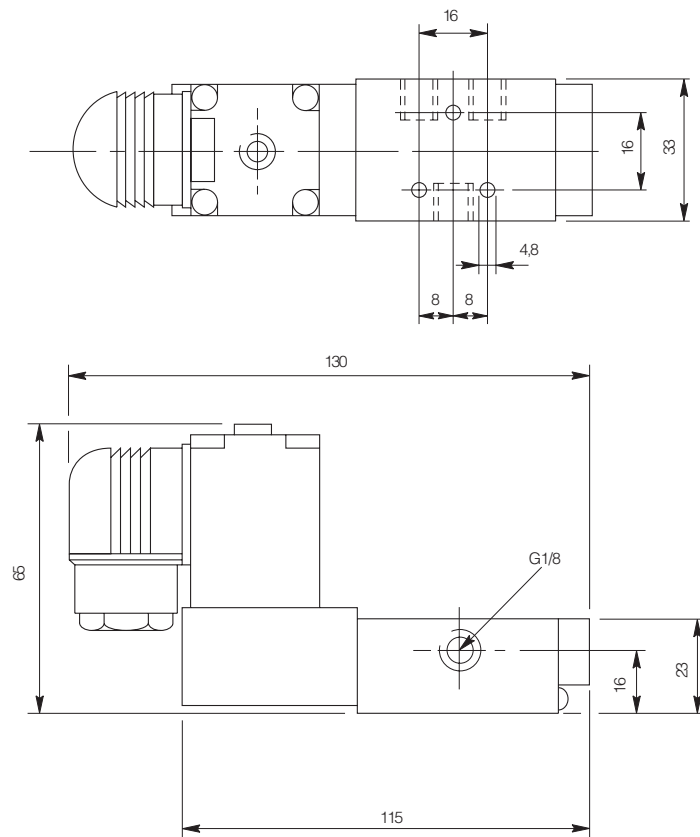
## Ordering information

Part nos.	Type	Actuator	Return	Symbol
<b>LB43313*</b>	3/2	Solenoid pilot	Spring	
<b>LB43314*</b>	5/2	Solenoid pilot	Spring	

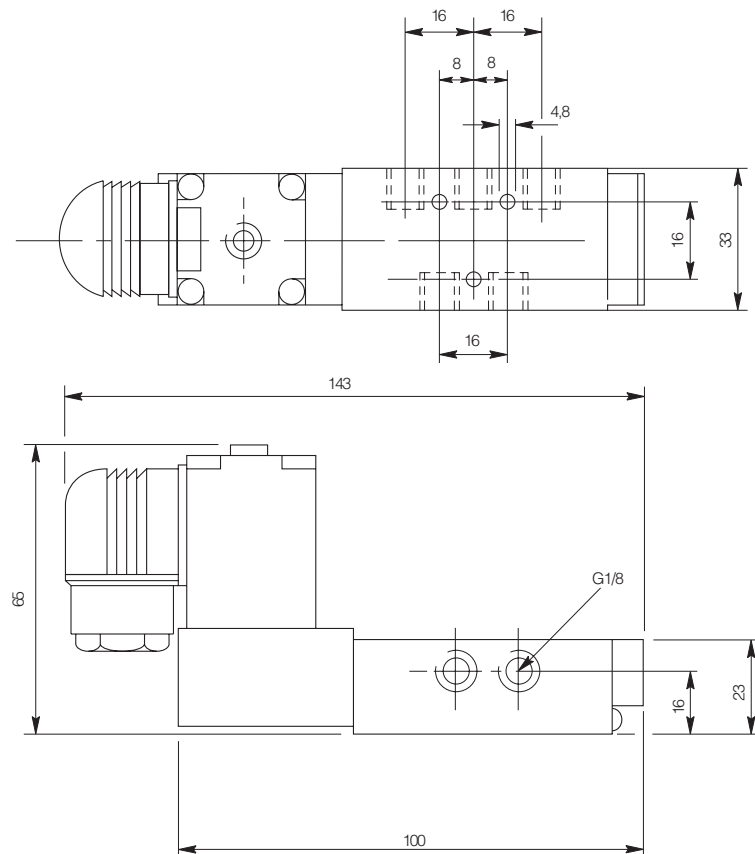
\*Specify voltage and add suffix letters  
For manual override add suffix M to part no.

# Directional control valves G<sup>1/8</sup> 3/2 - 5/2

## 3/2 valve dimensions (mm)

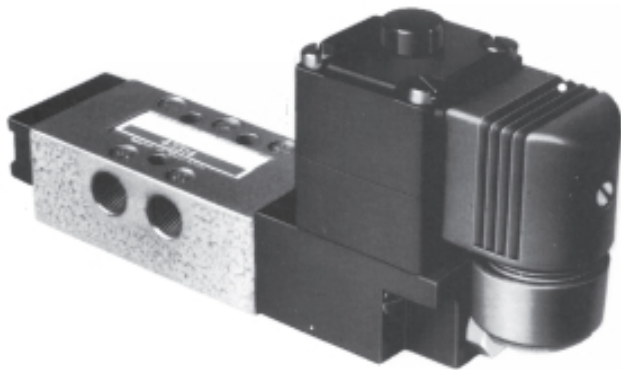


## 5/2 valve dimensions (mm)



# Directional control valves G<sup>1</sup>/<sub>8</sub> 3/2 - 5/2

## Solenoid pilot operated - pilot return



## Symbol



## Materials

Body	Aluminium
Actuator	Zinc diecast
Spool	Stainless steel
Bushes	Brass
Seals	Viton (valve body) Nitrile (solenoid)

## Technical information

Type	Spool valve
Style	Body ported
Port size	G <sup>1</sup> / <sub>8</sub>
Mounting	Any plane
Temperature range	-10°C to +55°C

## Pneumatic information

Pressure range	Vacuum to 10 bar	
Minimum	Spring return	3 bar
Nominal Ø	3,2mm	
Nominal flow at 7 bar	7 dm <sup>3</sup> /s	
Cv factor	0,24	

## Electrical information

Power consumption	Inrush	Hold
AC	9VA	6VA
DC	5 Watt	
Rating	100% continuous	
Isolating class	F	
Protection class	IP 65 (P 54) DIN 40 050	
Connection	ISO 4400, BS 56361	

## Voltage selection

Suffix	50 Hz	D.C.
T	10-13	5-6.5
TA	20-26	10-13
TF	44-55	20-26
TC	85-110	44-55
S	94-120	47-60
TS	153-198	76-99
SA	204-264	102-132

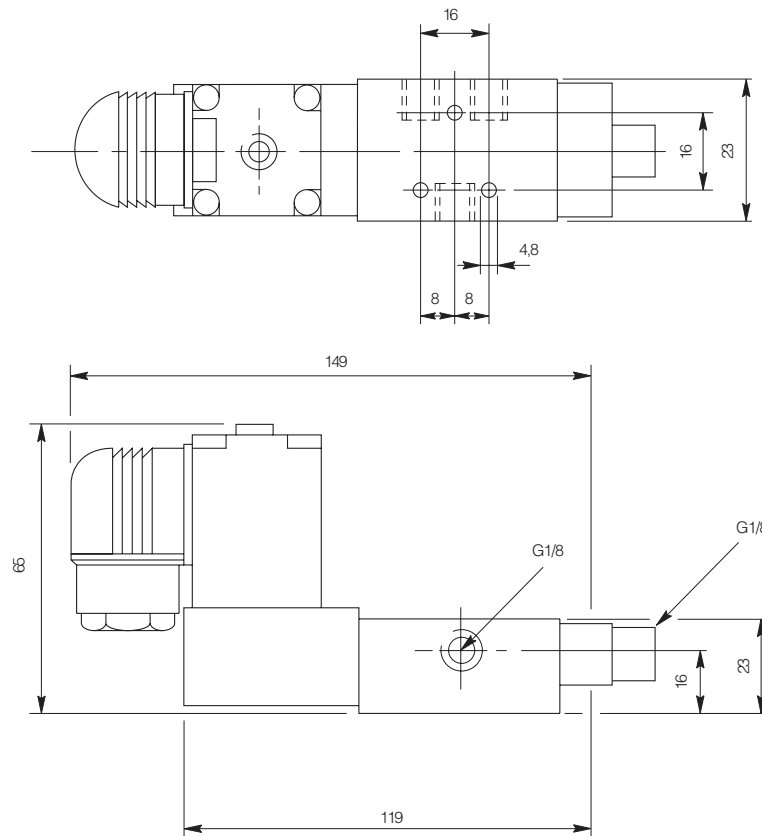
## Ordering information

Part nos.	Type	Actuator	Return	Symbol
<b>LB43333*</b>	3/2	Solenoid pilot	Air pilot	
<b>LB43334*</b>	5/2	Solenoid pilot	Air pilot	

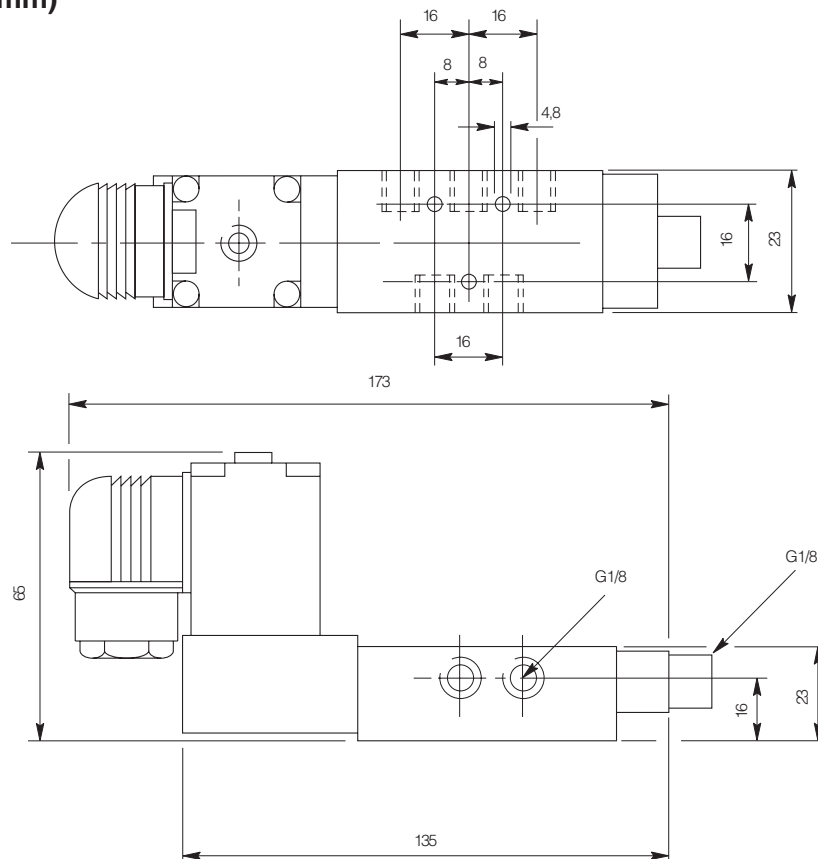
\*Specify voltage and add suffix letters  
For manual override add suffix M to part no.

# Directional control valves G<sup>1/8</sup> 3/2 - 5/2

## 3/2 valve dimensions (mm)

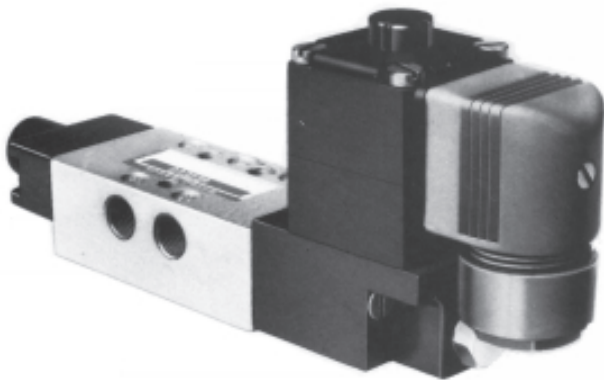


## 5/2 valve dimensions (mm)

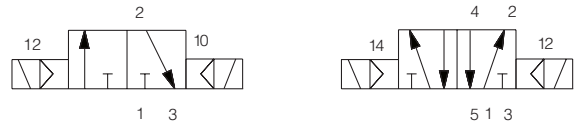


# Directional control valves G<sup>1</sup>/<sub>8</sub> 3/2 - 5/2

## Double solenoid pilot operated valves



## Symbol



## Materials

Body	Zinc diecast
Actuator	Zinc diecast
Spool	Stainless steel
Bushes	Brass
Seals	Viton (valve body) Nitrile (solenoid)

## Technical information

Type	Spool valve
Style	Body ported
Port size	G <sup>1</sup> / <sub>8</sub>
Mounting	Any plane
Temperature range	-10°C to +55°C

## Pneumatic information

Pressure range	Vacuum to 10 bar	
Minimum	Spring return	3 bar
Nominal Ø	3,2mm	
Nominal flow at 7 bar	7 dm <sup>3</sup> /s	
Cv factor	0,24	

## Electrical information

Power consumption	Inrush	Hold
AC	9VA	6VA
DC	5 Watt	
Rating	100% continuous	
Isolating class	F	
Protection class	IP 65 (P 54) DIN 40 050	
Connection	ISO 4400, BS 56361	

## Voltage selection

Suffix	50 Hz	D.C.
T	10-13	5-6.5
TA	20-26	10-13
TF	44-55	21-26
TC	85-110	43-55
S	94-121	54-69
TS	153-242	94-121
SA	204-264	102-132

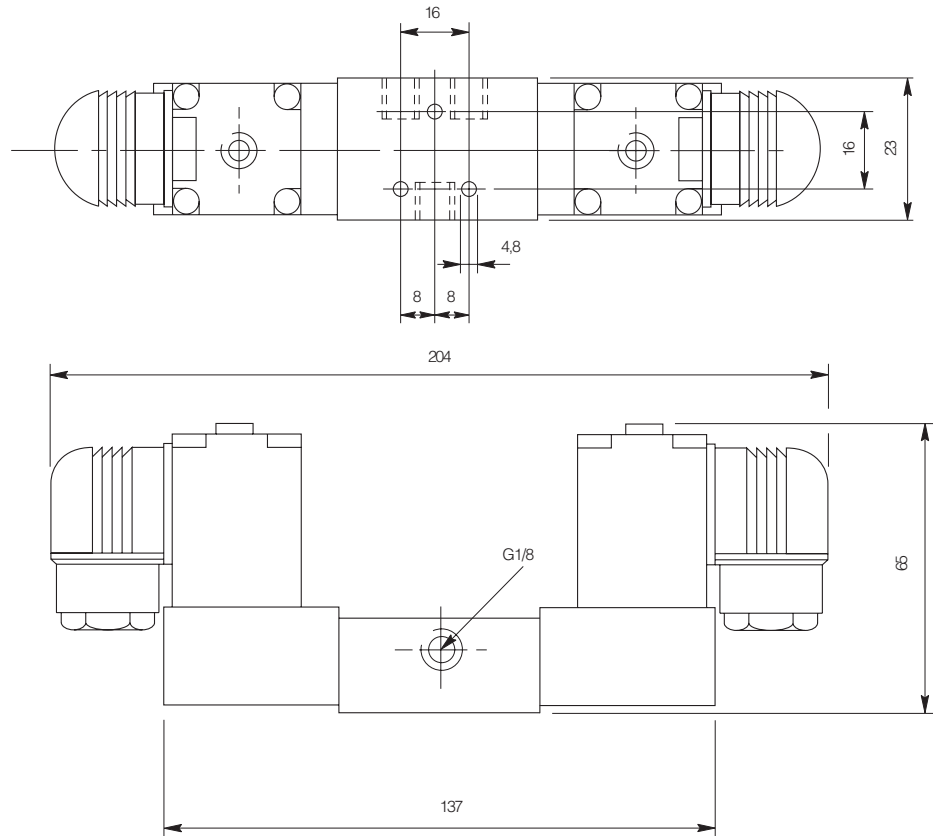
## Ordering information

Part nos.	Type	Actuator	Return	Symbol
<b>LB43323*</b>	3/2	Solenoid pilot	Solenoid pilot	
<b>LB43324*</b>	5/2	Solenoid pilot	Solenoid pilot	

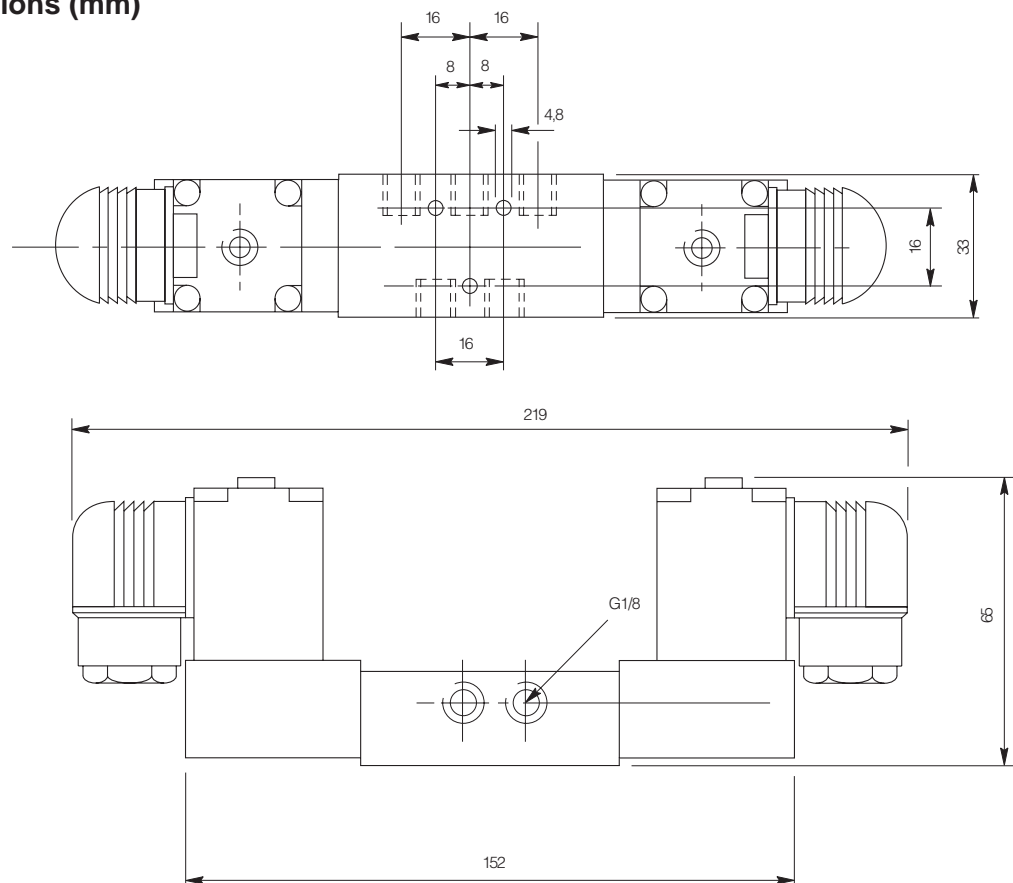
\*Specify voltage and add suffix letters  
For manual override add suffix M to part no.

# Directional control valves G<sup>1/8</sup> 3/2 - 5/2

## 3/2 valve dimensions (mm)

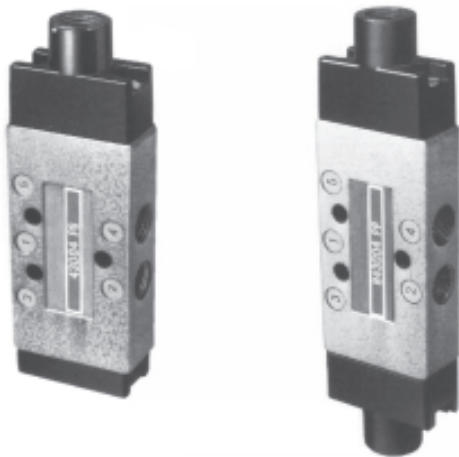


## 5/2 valve dimensions (mm)

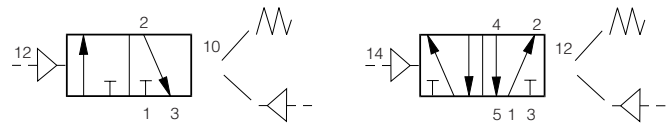


# Directional control valves G<sup>1/8</sup> 3/2 - 5/2

## Air pilot operated valves



## Symbol



## Materials

Body	Zinc diecast
Actuator	Zinc diecast
Spool	Stainless steel
Bushes	Brass
Seals	Viton (valve body)
Spring housing	Nylon

## Technical information

Type	Spool valve
Style	Body ported
Port size	G <sup>1/8</sup>
Mounting	Any plane
Temperature range	-10°C to +80°C

## Pneumatic information

Pressure range	Vacuum to 10 bar	
Minimum pilot pressure	Spring return Air pilot return	3 bar 2 bar
Nominal Ø	3,2mm	
Nominal flow at 7 bar	7 dm <sup>3</sup> /s	
Cv factor	0,24	

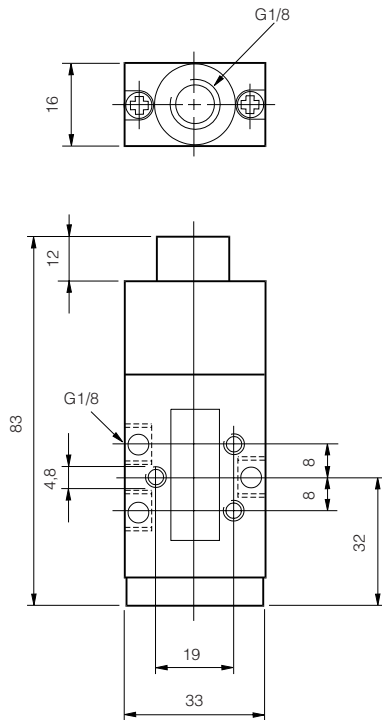
## Ordering information

Part nos.	Type	Actuator	Return	Symbol
<b>B43003PS</b>	3/2	Air pilot	Spring	
<b>B43004PS</b>	5/2	Air pilot	Spring	
<b>B43003PP</b>	3/2	Air pilot	Air pilot	
<b>B43004PP</b>	5/2	Air pilot	Air pilot	

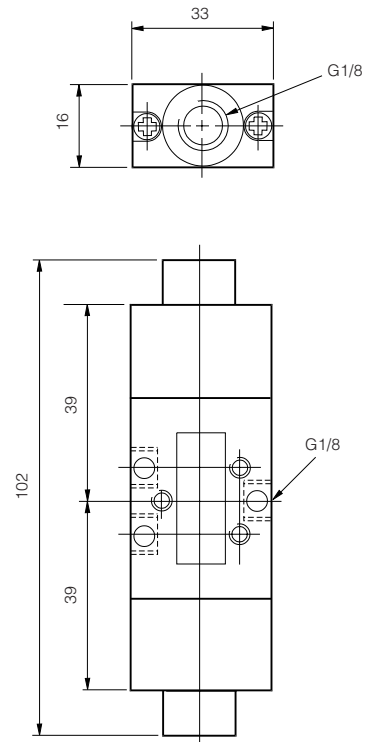
# Directional control valves G<sup>1/8</sup> 3/2 - 5/2

## 3/2 valve dimensions (mm)

Air pilot operated  
spring return

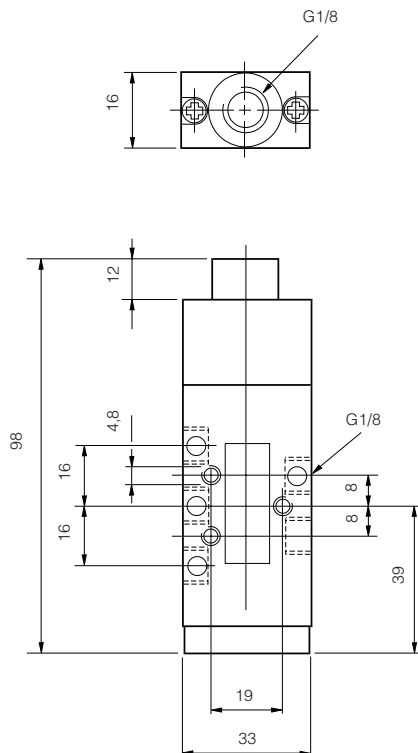


Air pilot operated  
Air pilot return

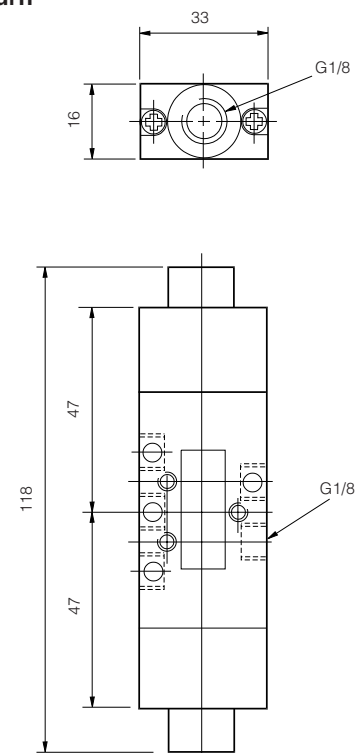


## 5/2 valve dimensions (mm)

Air pilot operated  
spring return



Air pilot operated  
Air pilot return

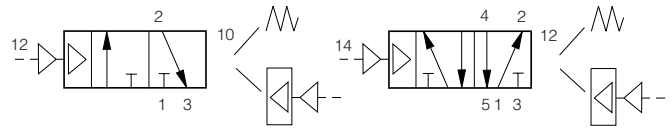


# Directional control valves G<sup>1</sup>/<sub>8</sub> 3/2 - 5/2

## Diaphragm operated valves



## Symbol



## Materials

Body	Zinc diecast
Actuator	Zinc diecast
Spool	Stainless steel
Bushes	Brass
Seals	Viton
Spring housing	Zinc diecast
Diaphragm	Nitrile

## Technical information

Type	Spool valve
Style	Body ported
Port size	G <sup>1</sup> / <sub>8</sub>
Mounting	Any plane
Temperature range	-10°C to +80°C

## Pneumatic information

Pressure range	Vacuum to 10 bar	
Minimum pilot pressure	Spring return	0,3 bar
	Diaphragm return	0,13 bar
Nominal Ø	3,2mm	
Nominal flow at 7 bar	7 dm <sup>3</sup> /s	
Cv factor	0,24	

## Ordering information

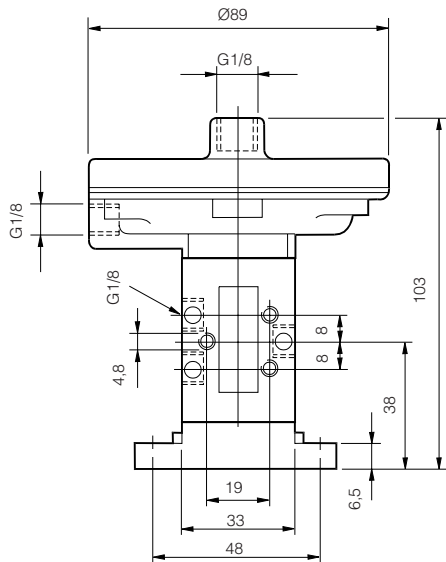
Part nos.	Type	Actuator	Return	Symbol
<b>B43003DF</b>	3/2	Diaphragm	Spring	
<b>B43004DF</b>	5/2	Diaphragm	Spring	
<b>B43003DD</b>	3/2	Diaphragm	Diaphragm	
<b>B43004DD</b>	5/2	Diaphragm	Diaphragm	
<b>B43004D-50</b>	Mounting bracket kit			

**Comprises:** 1 bracket, 3 bolts and nuts

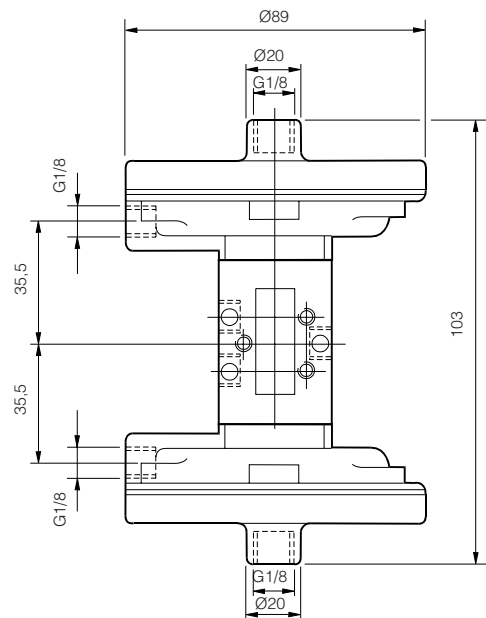
# Directional control valves G<sup>1</sup>/<sub>8</sub> 3/2 - 5/2

## 3/2 valve dimensions (mm)

Diaphragm operated  
spring return

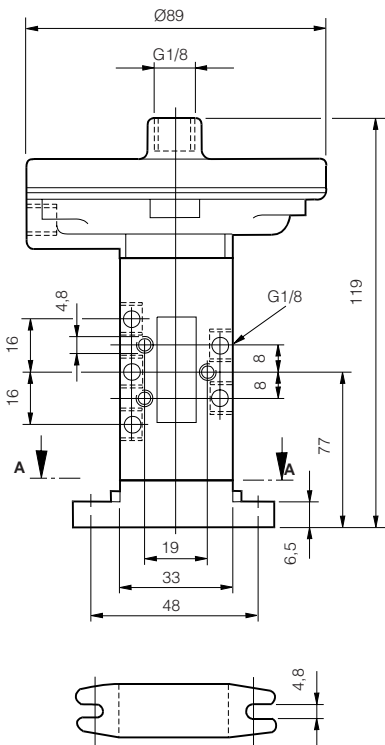


Diaphragm operated  
Diaphragm return

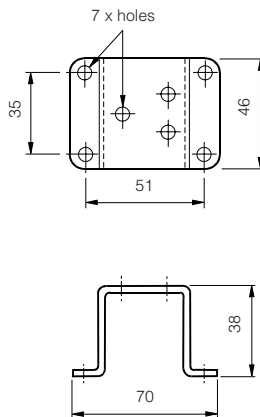


## 5/2 valve dimensions (mm)

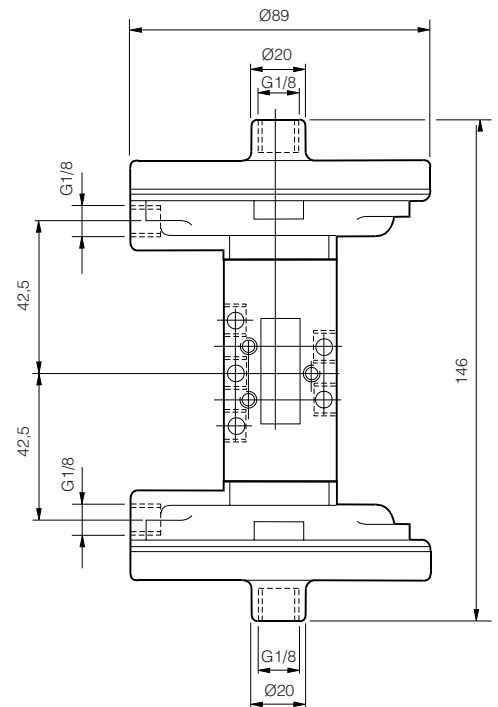
Diaphragm operated  
spring return



Mounting brackets

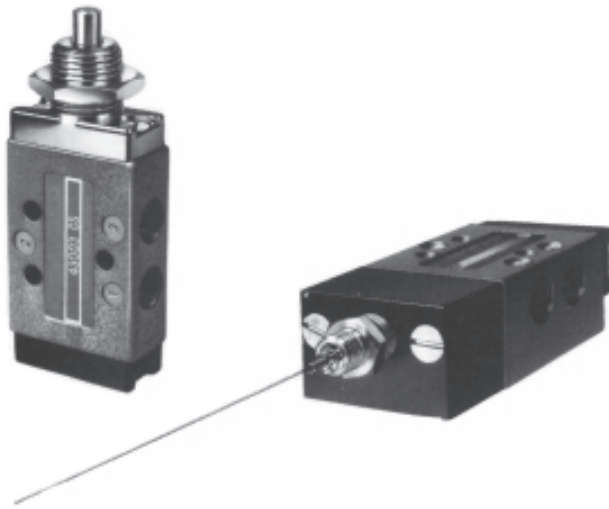


Diaphragm operated  
Diaphragm return



# Directional control valves G<sup>1</sup>/<sub>8</sub> 3/2 - 5/2

## Mechanically operated valves



## Symbol



## Materials

Body	Zinc diecast
Actuator	Zinc diecast
Spool	Stainless steel
Bushes	Brass
Seals	Viton
Spring housing	Nylon

## Technical information

Type	Spool valve
Style	Body ported
Port size	G <sup>1</sup> / <sub>8</sub>
Mounting	Any plane
Temperature range	-10°C to +80°C

## Pneumatic information

Pressure range	Vacuum to 10 bar
Minimum pilot pressure	3 bar
Nominal Ø	3,2mm
Nominal flow at 7 bar	7 dm <sup>3</sup> /s
Cv factor	0,24

## Ordering information

Part nos.	Type	Actuator	Return	Symbol	Optional air pilot return
<b>B43003CS</b>	3/2	Plunger	Spring		
<b>B43004CS</b>	5/2	Plunger	Spring		
<b>B43003W</b>	3/2	Whisker normally closed	Spring		
<b>B43004WO</b>	5/2	Whisker normally open	Spring		
<b>B43004W</b>	5/2	Whisker	Spring		

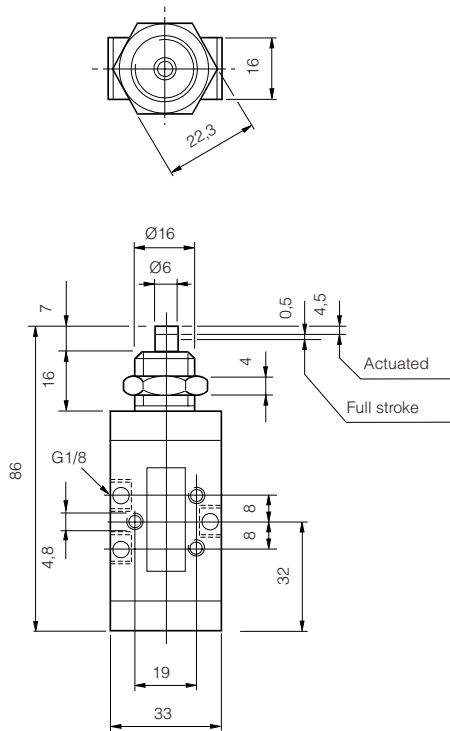
**Note:** All valves featured on this page are available with an air pilot return mechanism.

To order delete 'S' for spring and add 'P'. e.g. **B43003CP**  
For dimensions of air pilot housing see page 3.

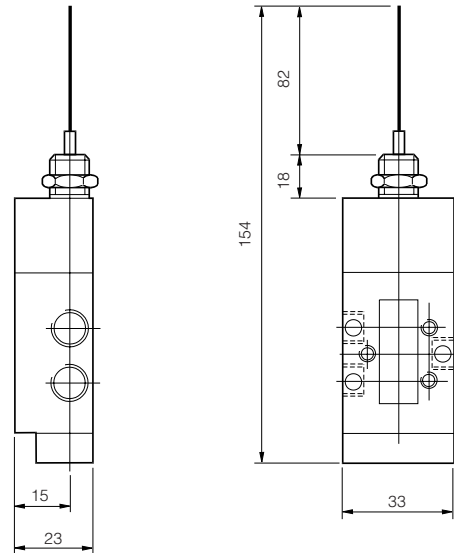
# Directional control valves G<sup>1</sup>/<sub>8</sub> 3/2 - 5/2

## 3/2 valve dimensions (mm)

Plunger operated  
spring return

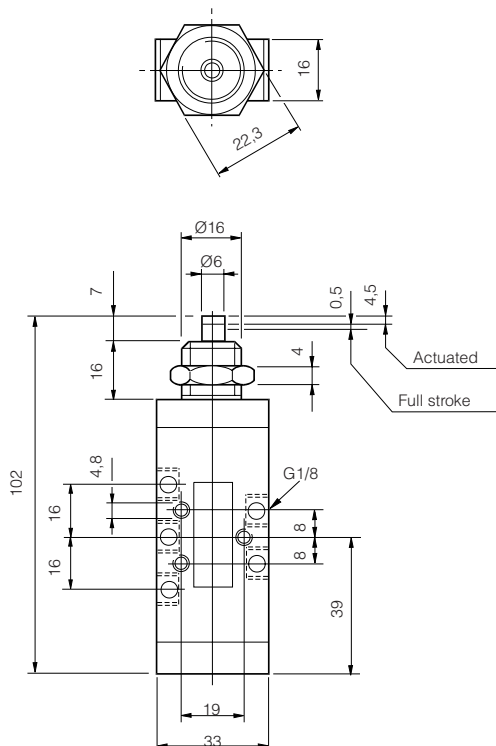


Whisker operated  
spring return

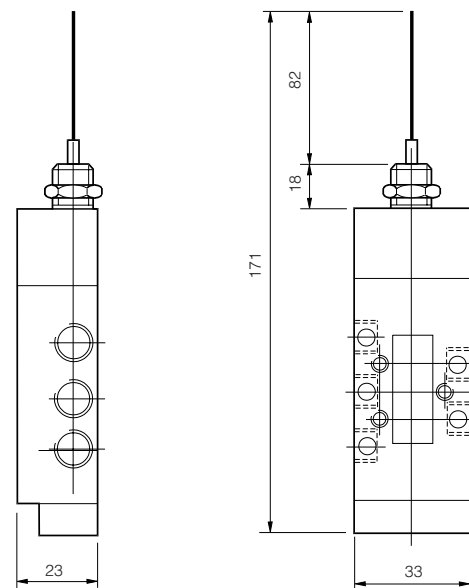


## 5/2 valve dimensions (mm)

Plunger operated  
spring return



Whisker operated  
spring return

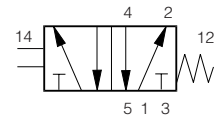
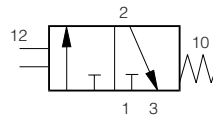


# Directional control valves G<sup>1</sup>/<sub>8</sub> 3/2 - 5/2

## Mechanically operated valves



## Symbol



## Materials

Body	Zinc diecast
Actuator	Zinc diecast
Spool	Stainless steel
Bushes	Brass
Seals	Viton
Spring housing	Nylon

## Technical information

Type	Spool valve
Style	Body ported
Port size	G <sup>1</sup> / <sub>8</sub>
Mounting	Any plane
Temperature range	-10°C to +80°C

## Pneumatic information

Pressure range	Vacuum to 10 bar
Minimum pilot pressure	3 bar
Nominal Ø	3,2mm
Nominal flow at 7 bar	7 dm <sup>3</sup> /s
Cv factor	0,24

## Ordering information

Part nos.	Type	Actuator	Return	Symbol	Optional air pilot return
<b>B43003RS</b>	3/2	Roller	Spring		
<b>B43004RS</b>	5/2	Roller	Spring		
<b>B43003RTS</b>	3/2	One way roller trip	Spring		
<b>B43004RTS</b>	5/2	One way roller trip	Spring		
<b>B43003RT</b>	3/2	One way trip	Spring		
<b>B43004RT</b>	5/2	One way trip	Spring		

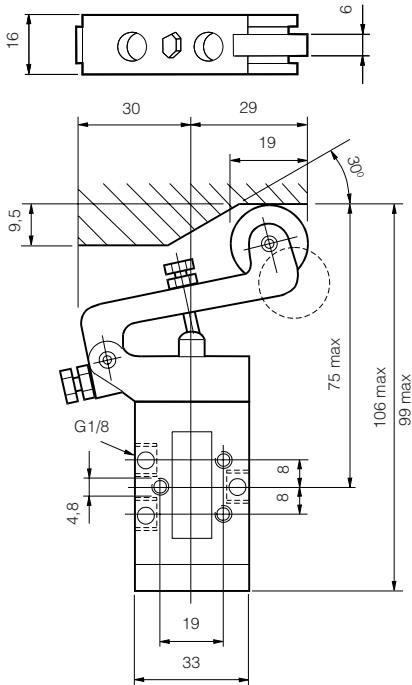
**Note:** All valves featured on this page are available with an air pilot return mechanism.

To order delete 'S' for spring and add 'P'. e.g. **B43003CP**  
For dimensions of air pilot housing see page 3.

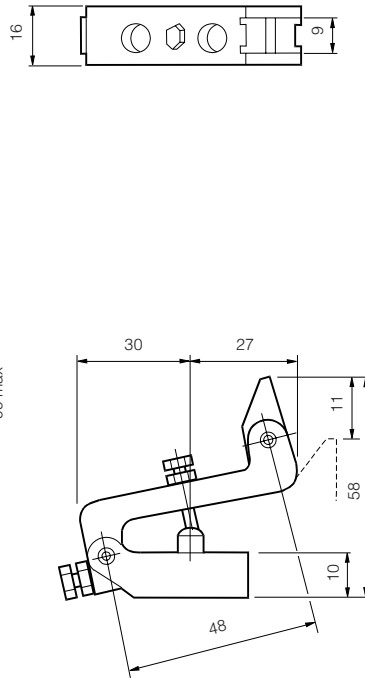
# Directional control valves G<sup>1/8</sup> 3/2 - 5/2

## 3/2 valve dimensions (mm)

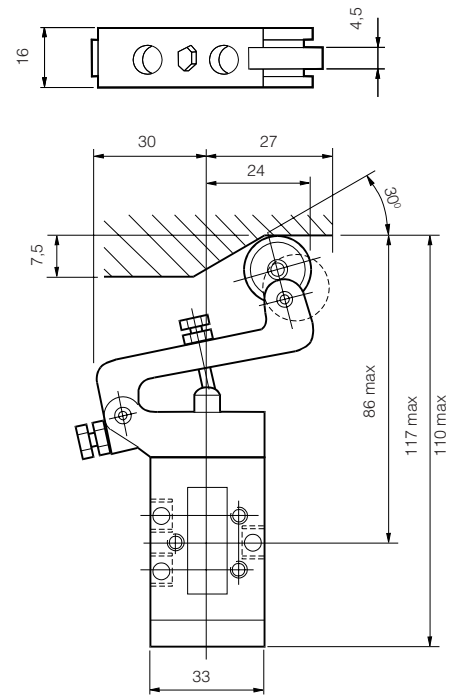
### Roller operated spring return



### One way trip

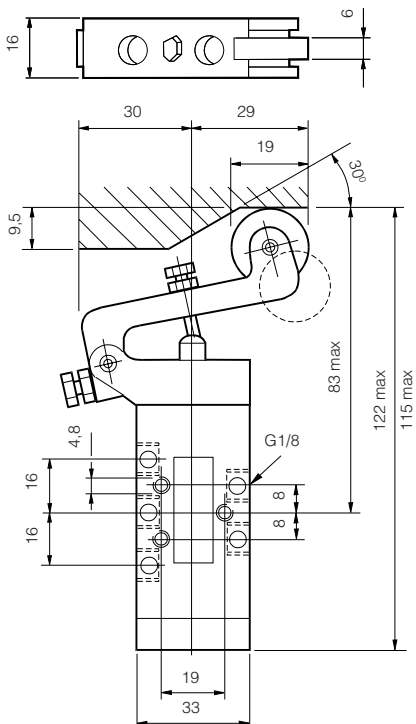


### One way roller trip operated spring return

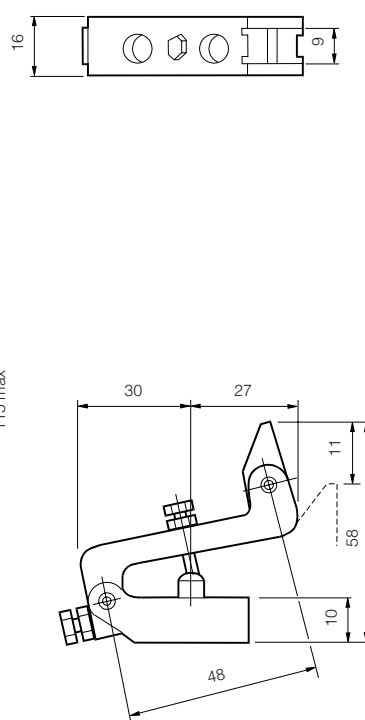


## 5/2 valve dimensions (mm)

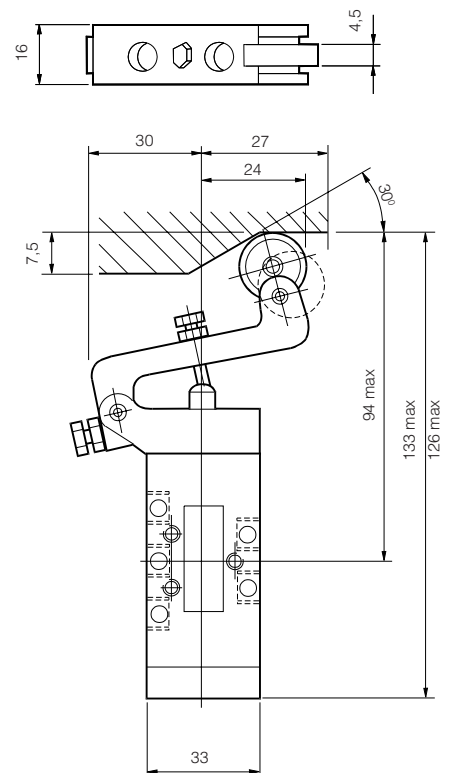
### Roller operated spring return



### One way trip

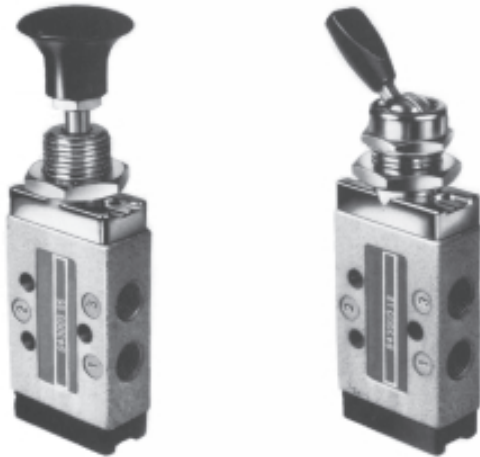


### One way roller trip operated spring return

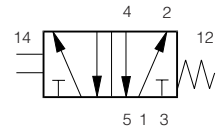
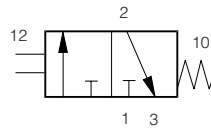


# Directional control valves G<sup>1</sup>/<sub>8</sub> 3/2 - 5/2

## Manually operated valves



## Symbol



## Materials

Body	Zinc diecast
Actuator	Zinc diecast
Spool	Stainless steel
Bushes	Brass
Seals	Viton
Spring housing	Nylon

## Technical information

Type	Spool valve
Style	Body ported
Port size	G <sup>1</sup> / <sub>8</sub>
Mounting	Any plane
Temperature range	-10°C to +55°C

## Pneumatic information

Pressure range	Vacuum to 10 bar
Minimum pilot pressure	3 bar
Nominal Ø	3,2mm
Nominal flow at 7 bar	7 dm <sup>3</sup> /s
Cv factor	0,24

## Ordering information

Part nos.	Type	Actuator	Return	Symbol	Optional air pilot return
<b>B43003BS</b>	3/2	Button	Spring		
<b>B43004BS</b>	5/2	Button	Spring		
<b>B43003HS</b>	3/2	Button	Button		
<b>B43004HS</b>	5/2	Button	Button		
<b>B43003LS</b>	3/2	Lock down lever	Spring		
<b>B43004LS</b>	5/2	Lock down lever	Spring		

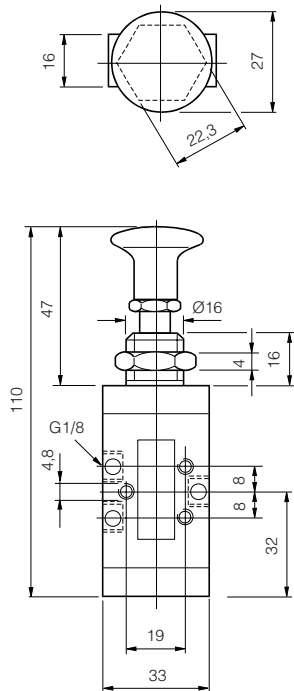
**Note:** All valves featured on this page are available with an air pilot return mechanism.

To order delete 'S' for spring and add 'P'. e.g. **B43003CP**  
For dimensions of air pilot housing see page 3.

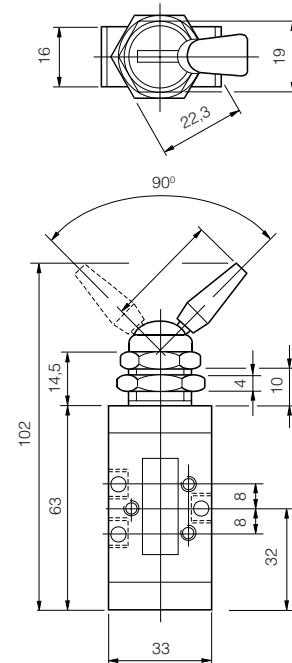
# Directional control valves G<sup>1</sup>/<sub>8</sub> 3/2 - 5/2

## 3/2 valve dimensions (mm)

Button operated  
spring or button return

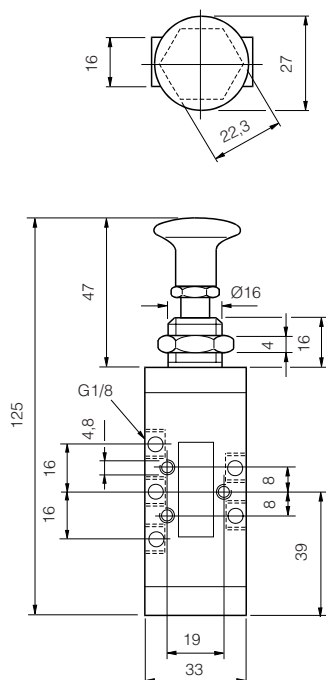


Lock down lever operated  
spring return

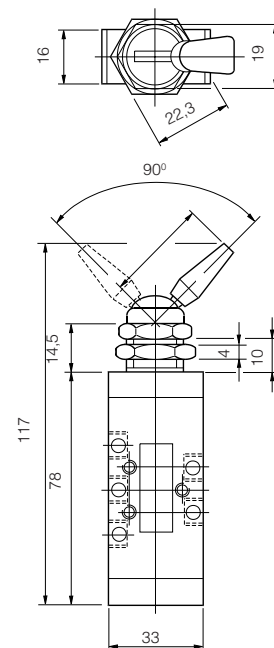


## 5/2 valve dimensions (mm)

Button operated  
spring or button return

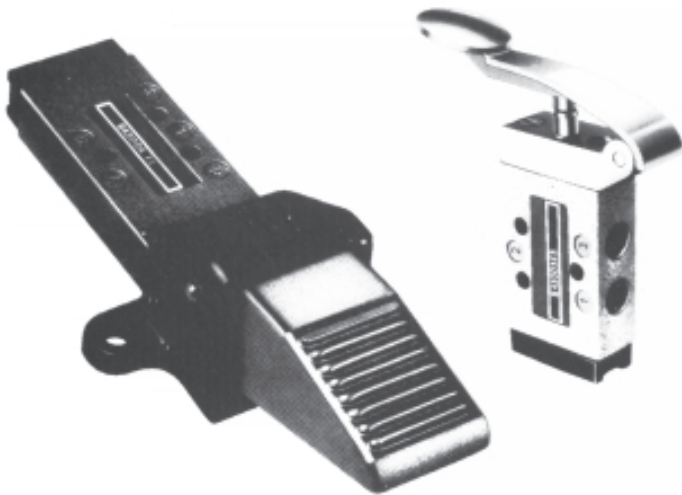


Lock down lever operated  
spring return

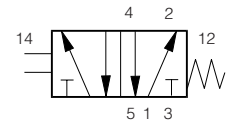
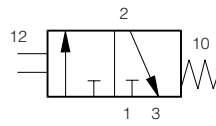


# Directional control valves G<sup>1</sup>/<sub>8</sub> 3/2 - 5/2

## Manually operated valves



## Symbol



## Materials

Body	Zinc diecast
Actuator	Zinc diecast
Spool	Stainless steel
Bushes	Brass
Seals	Viton
Spring housing	Nylon

## Technical information

Type	Spool valve
Style	Body ported
Port size	G <sup>1</sup> / <sub>8</sub>
Mounting	Any plane
Temperature range	-10°C to +55°C

## Pneumatic information

Pressure range	Vacuum to 10 bar
Minimum pilot pressure	3 bar
Nominal Ø	3,2mm
Nominal flow at 7 bar	7 dm <sup>3</sup> /s
Cv factor	0,24

## Ordering information

Part nos.	Type	Actuator	Return	Symbol	Optional air pilot return
<b>B43003ES</b>	3/2	Palm lever	Spring		
<b>B43004ES</b>	5/2	Palm lever	Spring		
<b>B43003FS</b>	3/2	Foot pedal	Spring		
<b>B43004FS</b>	5/2	Foot pedal	Spring		

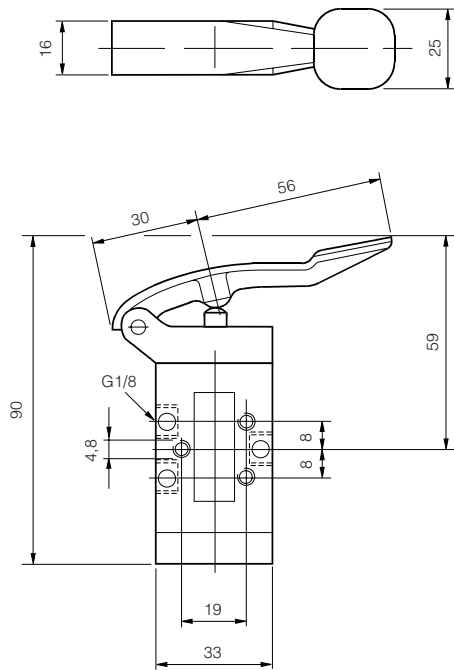
**Note:** All valves featured on this page are available with an air pilot return mechanism.

To order delete 'S' for spring and add 'P'. e.g. **B43003CP**  
For dimensions of air pilot housing see page 3.

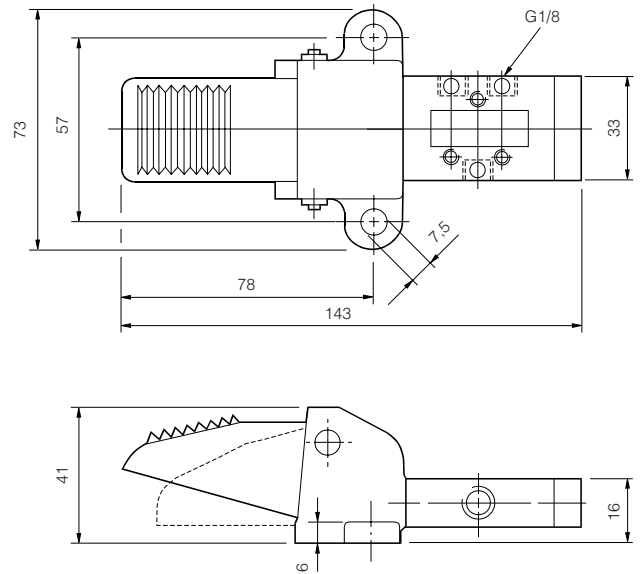
# Directional control valves G<sup>1/8</sup> 3/2 - 5/2

## 3/2 valve dimensions (mm)

Palm lever operated  
spring return

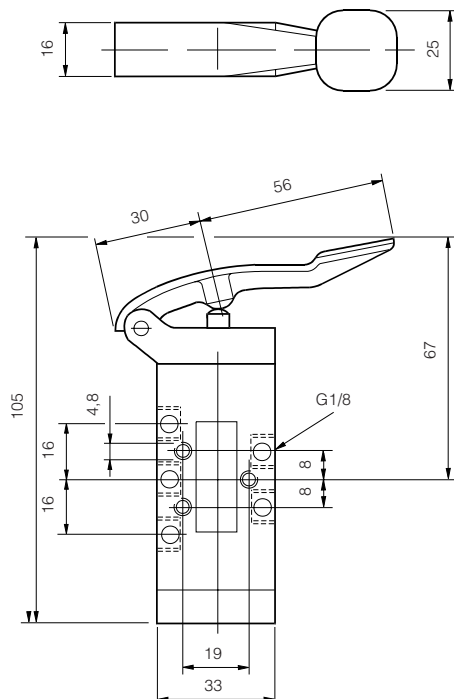


Foot pedal operated  
spring return

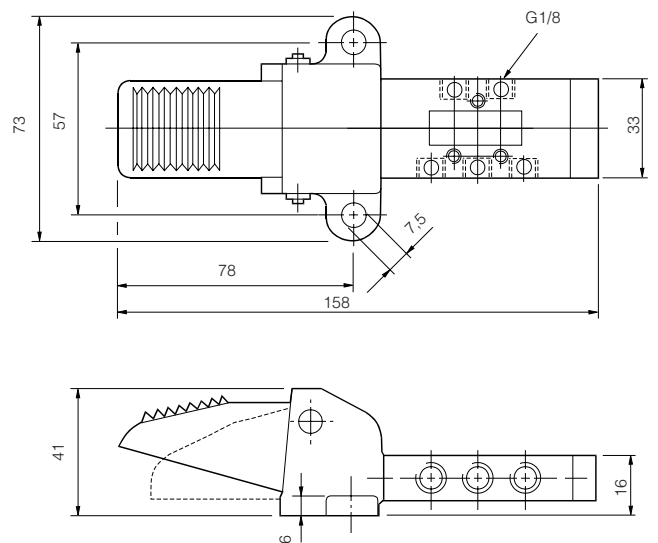


## 5/2 valve dimensions (mm)

Palm lever operated  
spring return

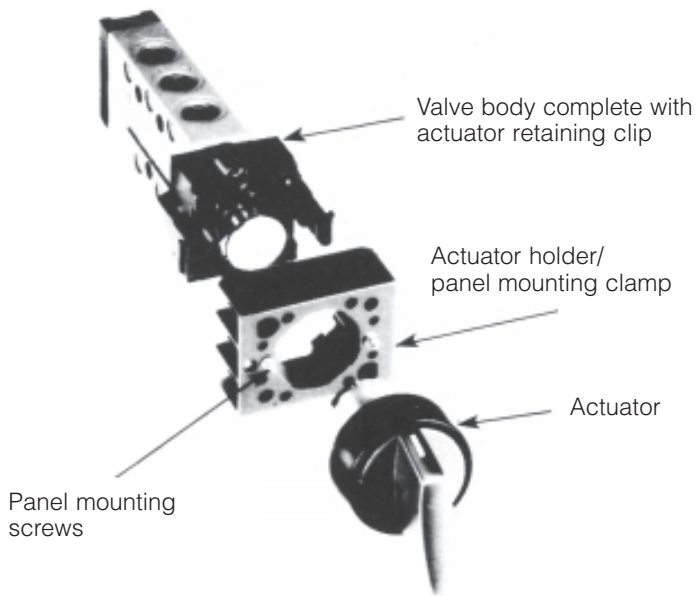


Foot pedal operated  
spring return

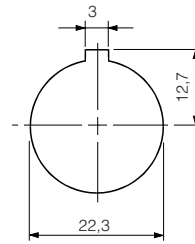


# Facia actuators Ø22mm, G<sup>1</sup>/<sub>8</sub> 3/2 - 5/2

## The system



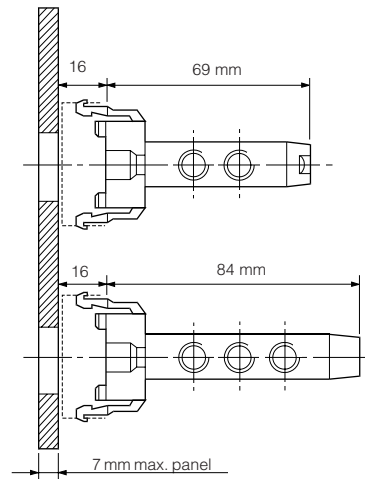
Ø22mm



## Basic valve with adaptor

Part no.	Type	Symbol
<b>B43003-100A</b>	3/2	
<b>B43004-100A</b>	5/2	

## Dimensions (mm)



## Mounting

Assembly is simple; the actuators fit into the holder/panel mounting clamp with bayonet fixing. The panel mounting screws may then be tightened up to the panel as required and the valve body assembly clipped on. No seals or special tools are required, interchanging actuators or valve body assemblies is equally simple.

## Latching trust button



Colour	Order code
White	<b>33000-100UFWS</b>
Blue	<b>33000-100UFXS</b>

## Key switch latching



Locked position	Withdrawal position	Order code
In or out	Either	<b>33000-100KAS</b>
In	Un-locked	<b>33000-100KBS</b>
Out	Locked	<b>33000-100KCS</b>

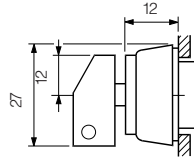
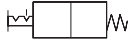
## Key switch non-latching



Locked position	Withdrawal position	Order code
Out	Un-locked	<b>33000-100KDS</b>
In	Locked	<b>33000-100KES</b>

# Directional control valves G<sup>1</sup>/<sub>8</sub> 3/2 - 5/2

## Key switch 'stay-put'



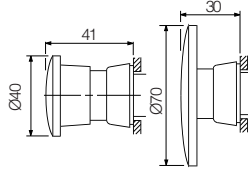
Withdrawal position

Order code

Either

**33000-100KFS**

## Emergency button



Colour Order code

Type

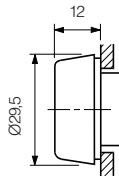
Red **33000-100BEYS** Ø40 Mushroom, key release

Red **33000-100BGYS** Ø40 Mushroom latching

Red **33000-100BPYS** Raised latching button

Red **33000-100BRYS** Ø70 Mushroom latching

## Flush push button



Colour

Order code

Yellow **33000-100BATS**

Blue **33000-100BAUS**

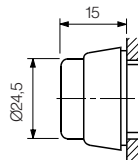
White **33000-100BAWS**

Black **33000-100BAXS**

Red **33000-100BAYS**

Green **33000-100BAZS**

## Raised push button



Colour

Order code

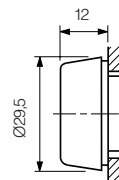
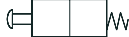
Yellow **33000-100BBTS**

Blue **33000-100BBUS**

Black **33000-100BBXS**

Red **33000-100BBYS**

## Push button with boot



Colour

Order code

Yellow **33000-100BCTS**

Blue **33000-100BCUS**

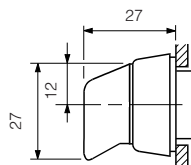
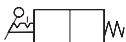
White **33000-100BCWS**

Black **33000-100BCXS**

Red **33000-100BCYS**

Green **33000-100BCZS**

## Latching selector knob



Colour

Order code

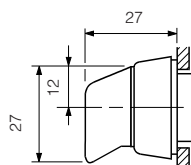
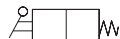
White **33000-100UAWS**

Black **33000-100UAXS**

Red **33000-100UAYS**

Green **33000-100UAZS**

## Non latching selector knob



Colour

Order code

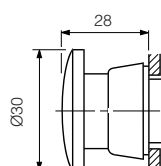
White **33000-100UBWS**

Black **33000-100UBXS**

Red **33000-100UBYS**

Green **33000-100UBZS**

## Ø30mm Mushroom button



Colour

Order code

White **33000-100BDTS**

Black **33000-100BDXS**

Red **33000-100BDYS**

Green **33000-100BDZS**



# Directional Control Valves

*G<sup>1</sup>/<sub>4</sub>, 3/2, 5/2, 3/3 and 5/3  
Spool valves*



# Directional control valves G<sup>1</sup>/<sub>4</sub>

## 3/2, 5/2, 3/3, 5/3 Spool Valves G<sup>1</sup>/<sub>4</sub> Ports

This quality and proven range of valves feature a block form zinc diecast body passivated to prevent corrosion and designed to allow complete interchangeability of actuators and return mechanisms. The stainless steel spool is sealed by synthetic viton 'O' rings, with unique seal spacers to ensure full air flow through the open ports. Non corrosive materials are used on all operating parts exposed to the working fluid.

Individual valves may be mounted in any position, the block form construction is particularly convenient for compact banking. Valves may be serviced in-situ by removal of the actuator, facilitating extraction of the spool and 'O' rings.

Tell-tale indicators on both solenoid and pilot operated valves can be used to check the position of the main spool or as a manual over-ride.

Operation of the actuator on the 5/2 valve opens the cylinder port nearest to the actuator. On the 3/2 version the inlet is piped to the port furthest away from the actuator for normally closed operation, and to the port nearest the actuator for normally open. Any of the actuators may be fitted with spring or pilot return mechanism. Valves may also be supplied with the same actuator at both ends; e.g. double roller. Roller versions are designed to give a common height on both 3/2 and 5/2 valves to ensure uniformity and efficiency in a multi-valve assembly.

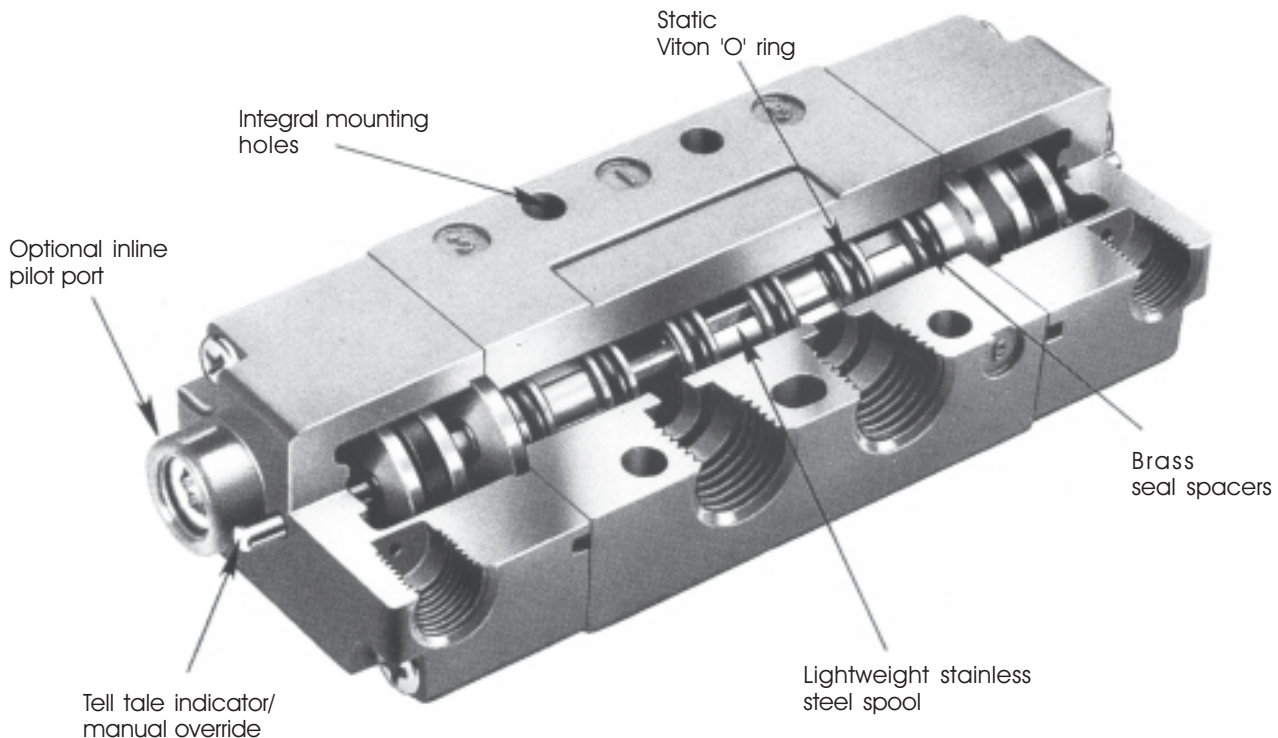
Centre position valves; either spring to centre or 3-position (detented mid-position) are available in the following configurations:

Neutral X - Spool in mid-position - all ports closed.

Negative Y - Spool in mid-position - Cylinder ports open to exhaust, inlet closed.

Positive Z - Spool in mid-position - both cylinder ports open to inlet, exhaust closed.

## Features

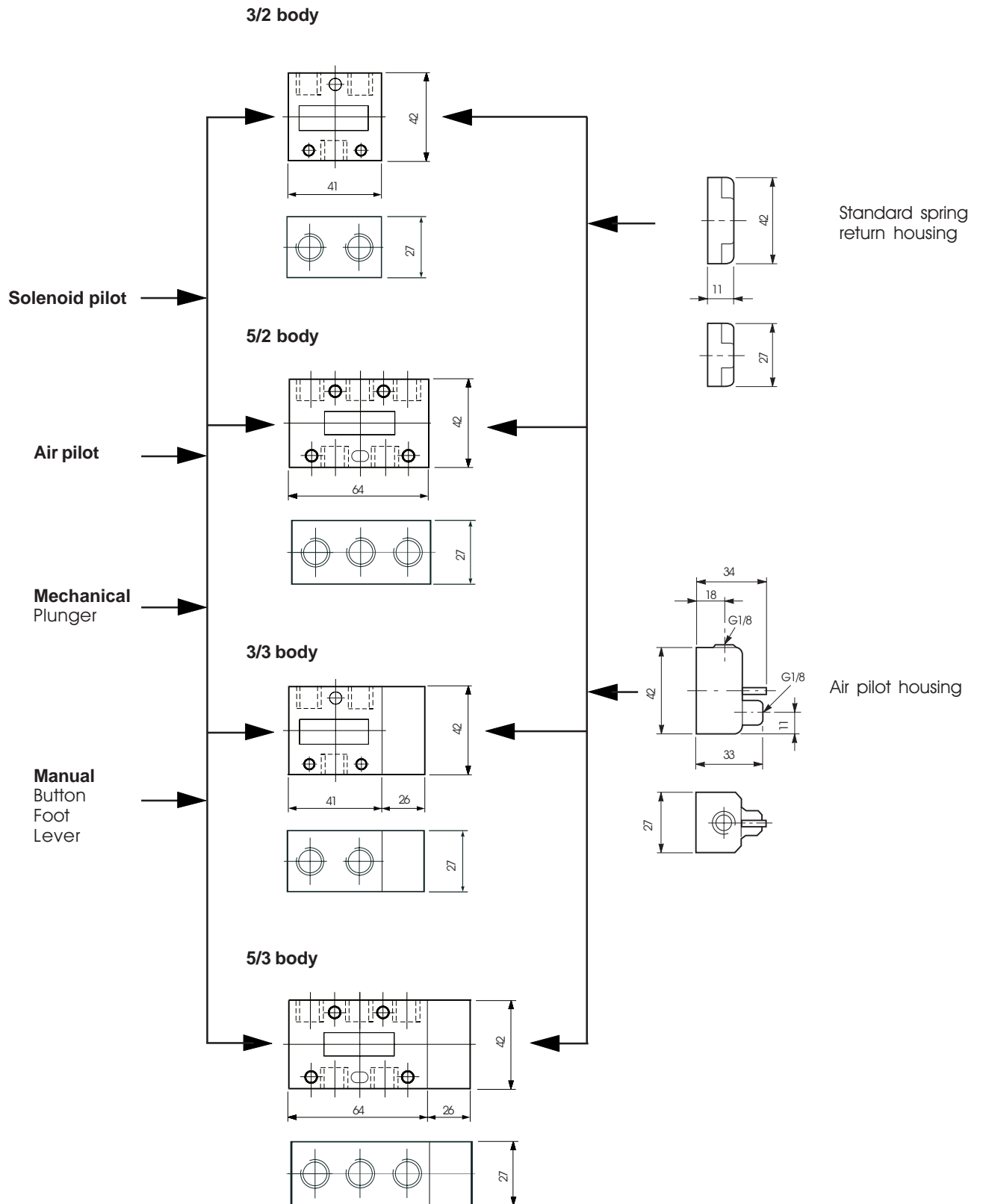


## Basic body dimensions (mm)

Actuator mechanisms

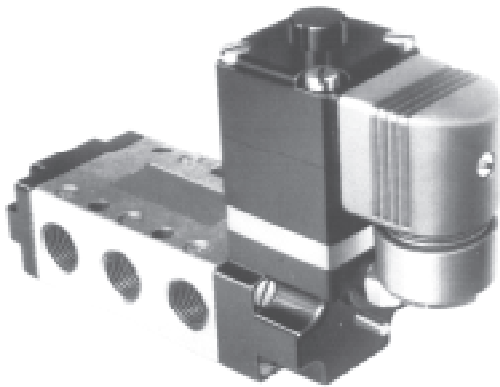
Basic bodies

Return mechanisms



# Directional control valves G<sup>1</sup>/<sub>4</sub>, 3/2 - 5/2

## Solenoid pilot operated 5 watt solenoid



## Symbol



## Materials

Body	Zinc diecast
Actuator	Zinc diecast
Spool	Stainless steel
Bushes	Brass
Seals	Viton (valve body) Nitrile (actuators)
Spring housing	Nylon (acetal resin)

## Technical information

Type	Spool valve
Style	Body ported
Port size	G <sup>1</sup> / <sub>4</sub>
Mounting	Any plane
Temperature range	-10°C to +55°C

## Pneumatic information

Pressure range	0 to 10 bar
Minimum pilot pressure	2,7 bar
Nominal Ø	7mm
Nominal flow at 7 bar	26 dm <sup>3</sup> /s

## Electrical information

Power consumption	Inrush	Hold
AC	14VA	9VA
DC	5 Watt	
Rating	100% ED	
Isolating class	F	
Protection class	IP 65 (P 54) DIN 40 050	
Connection	DIN 43 650 Form B	

## Voltage selection

Suffix	50 Hz	D.C.
T	10-13	5-6.5
TA	2-26	10-13
TF	44-55	21-26
TC	85-110	43-55
S	94-121	54-69
TS	153-242	94-121
SA	204-264	102-132

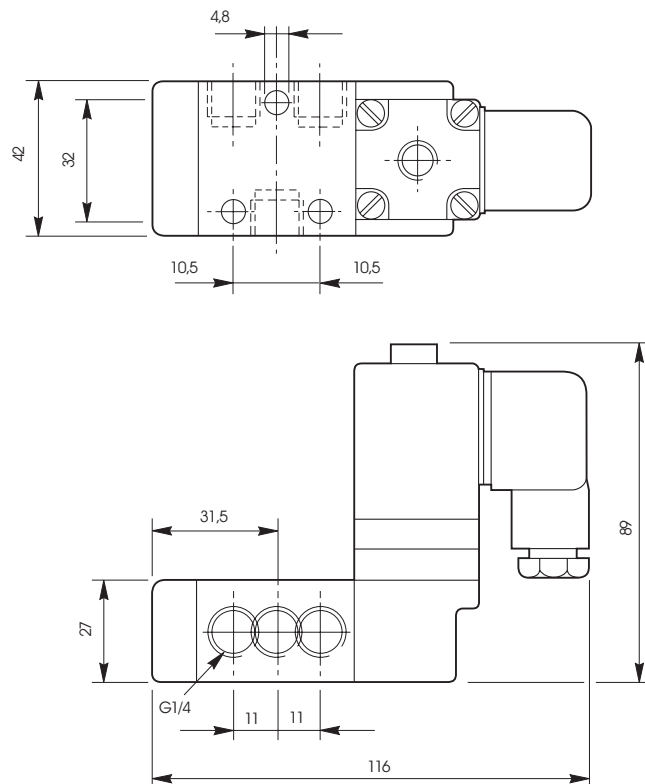
## Ordering information

Part nos.	Type	Actuator	Return	Symbol
<b>LB53013*</b>	3/2	Solenoid pilot	Spring	
<b>LB53014*</b>	5/2	Solenoid pilot	Spring	

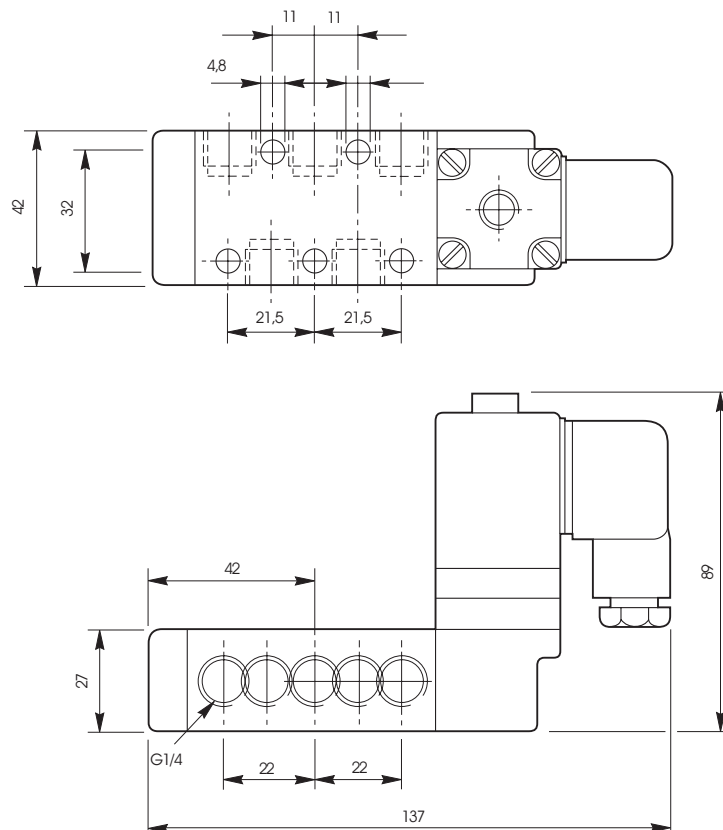
\*Specify voltage and add suffix letters  
For manual override add suffix M.

# Directional control valves G<sup>1</sup>/<sub>4</sub>, 3/2 - 5/2

## 3/2 valve dimensions (mm)

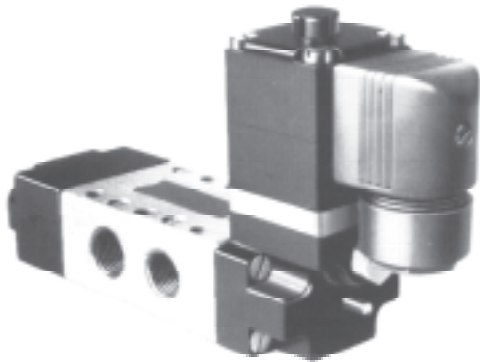


## 5/2 valve dimensions (mm)



# Directional control valves G<sup>1</sup>/<sub>4</sub>, 3/2 - 5/2

## Solenoid pilot operated 5 watt solenoid



## Symbol



## Materials

Body	Aluminium
Actuator	Zinc diecast
Spool	Stainless steel
Bushes	Brass
Seals	Viton (valve body) Nitrile (actuators)

## Technical information

Type	Spool valve
Style	Body ported
Port size	G <sup>1</sup> / <sub>4</sub>
Mounting	Any plane
Temperature range	-10°C to +55°C

## Pneumatic information

Pressure range	0 to 10 bar
Minimum pilot pressure	2,7 bar
Nominal Ø	7mm
Nominal flow at 7 bar	26 dm <sup>3</sup> /s

## Electrical information

Power consumption	Inrush	Hold
AC	14VA	9VA
DC	5 Watt	
Rating	100% ED	
Isolating class	F	
Protection class	IP 65 (P 54) DIN 40 050	
Connection	DIN 43 650 Form B	

## Voltage selection

Suffix	50 Hz	D.C.
T	10-13	5-6.5
TA	2-26	10-13
TF	44-55	21-26
TC	85-110	43-55
S	94-121	54-69
TS	153-242	94-121
SA	204-264	102-132

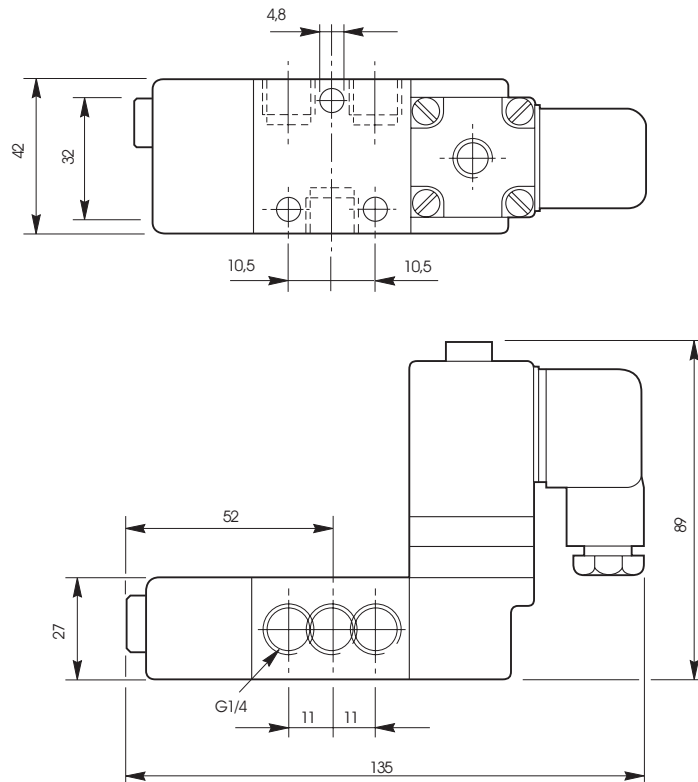
## Ordering information

Part nos.	Type	Actuator	Return	Symbol
<b>LB53033*</b>	3/2	Solenoid pilot	Air pilot	
<b>LB53034*</b>	5/2	Solenoid pilot	Air pilot	

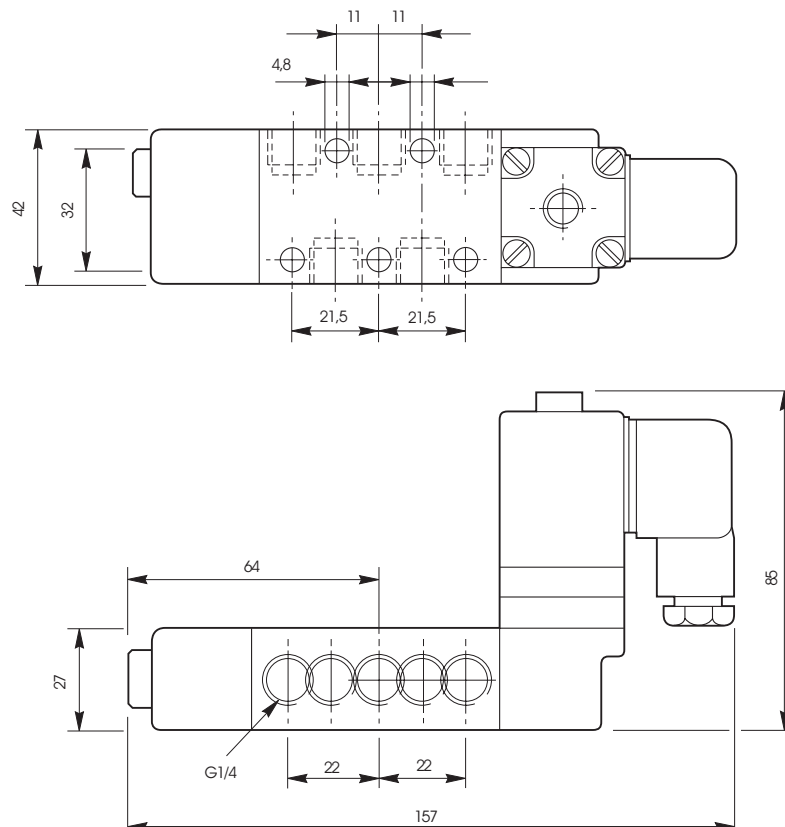
\*Specify voltage and add suffix letters  
For manual override add suffix M.

# Directional control valves G<sup>1</sup>/<sub>4</sub>, 3/2 - 5/2

## 3/2 valve dimensions (mm)

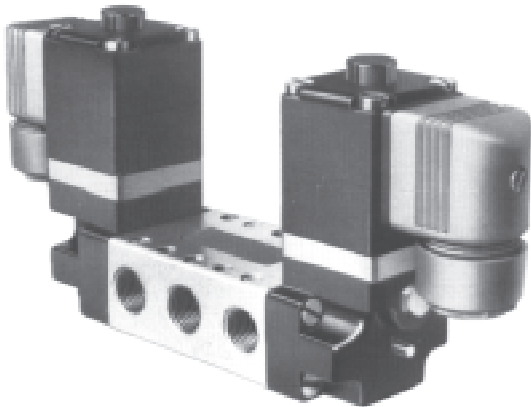


## 5/2 valve dimensions (mm)

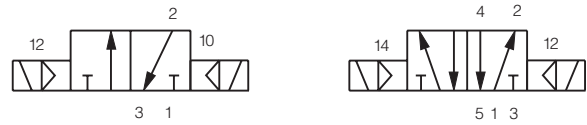


# Directional control valves G<sup>1</sup>/<sub>4</sub>, 3/2 - 5/2

## Solenoid pilot operated 5 watt solenoid



## Symbol



## Materials

Body	Zinc diecast
Actuator	Zinc diecast
Spool	Stainless steel
Bushes	Brass
Seals	Viton (valve body) Nitrile (actuators)

## Technical information

Type	Spool valve
Style	Body ported
Port size	G <sup>1</sup> / <sub>4</sub>
Mounting	Any plane
Temperature range	-10°C to +55°C

## Pneumatic information

Pressure range	0 to 10 bar
Minimum Spring return	2,7 bar
Nominal Ø	7mm
Nominal flow at 7 bar	26 dm <sup>3</sup> /s

## Electrical information

Power consumption	Inrush	Hold
AC	14VA	9VA
DC	5 Watt	
Rating	100% ED	
Isolating class	F	
Protection class	IP 65 (P 54) DIN 40 050	
Connection	DIN 43 650 Form B	

## Voltage selection

Suffix	50 Hz	D.C.
T	10-13	5-6.5
TA	2-26	10-13
TF	44-55	21-26
TC	85-110	43-55
S	94-121	54-69
TS	153-242	94-121
SA	204-264	102-132

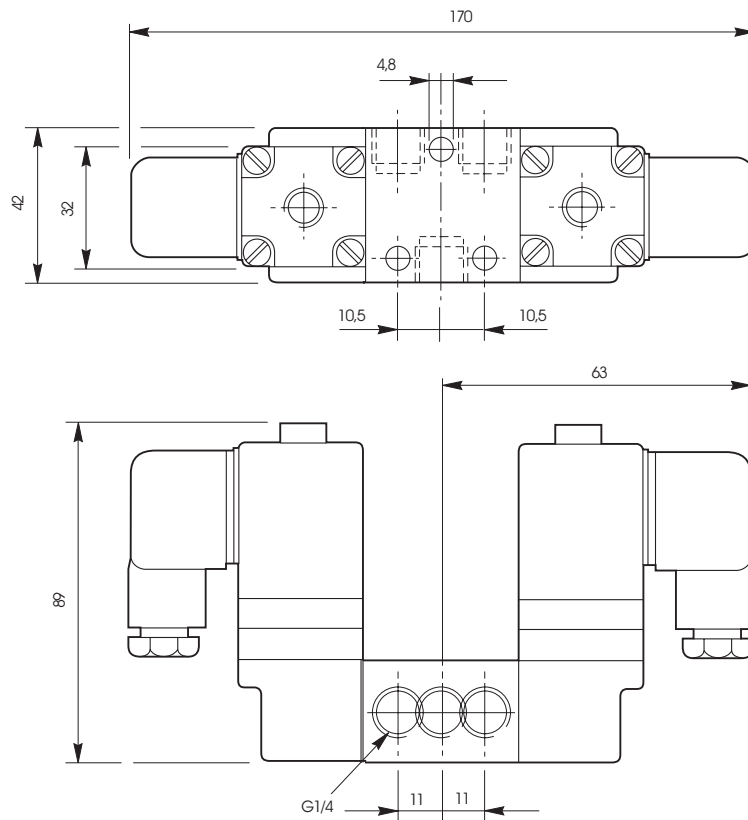
## Ordering information

Part nos.	Type	Actuator	Return	Symbol
<b>LB53033*</b>	3/2	Solenoid pilot	Air pilot	
<b>LB53034*</b>	5/2	Solenoid pilot	Air pilot	

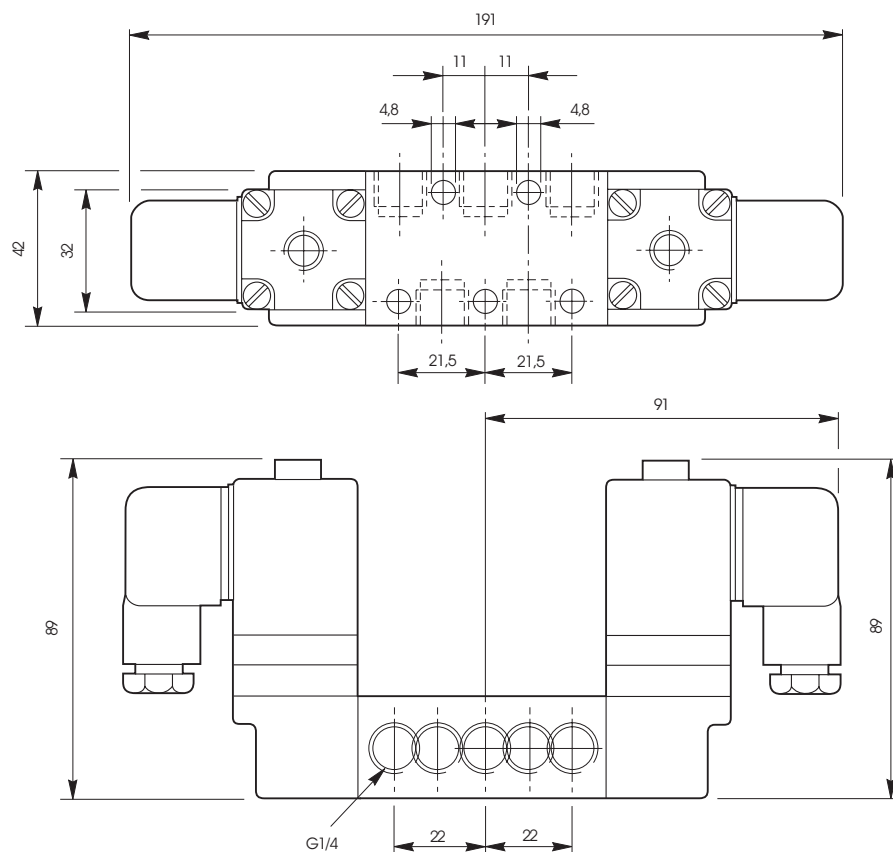
\*Specify voltage and add suffix letters  
For manual override add suffix M.

# Directional control valves G<sup>1</sup>/<sub>4</sub>, 3/2 - 5/2

## 3/2 valve dimensions (mm)

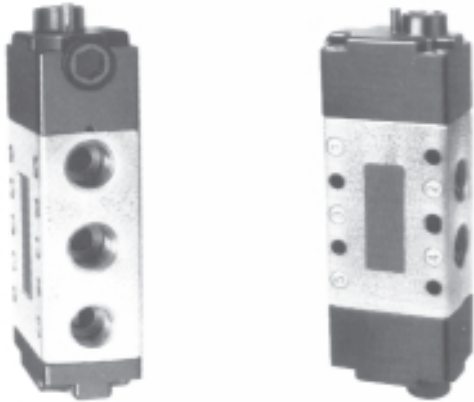


## 5/2 valve dimensions (mm)

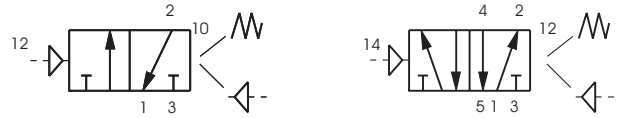


# Directional control valves G<sup>1</sup>/<sub>4</sub>, 3/2 - 5/2

## Air pilot operated valves



## Symbol



## Materials

Body	Zinc diecast
Actuator	Zinc diecast
Spool	Stainless steel
Bushes	Brass
Seals	Viton (valve body) Nitrile (actuators)
Spring housing	Nylon (acetal resin)

## Technical information

Type	Spool valve
Style	Body ported
Port size	G <sup>1</sup> / <sub>4</sub>
Mounting	Any plane
Temperature range	-10°C to +80°C

## Pneumatic information

Pressure range	0 to 10 bar
Minimum pilot pressure	Spring return 2,7 bar Air pilot return 1,3 bar
Nominal Ø	7mm
Nominal flow at 7 bar	26 dm <sup>3</sup> /s

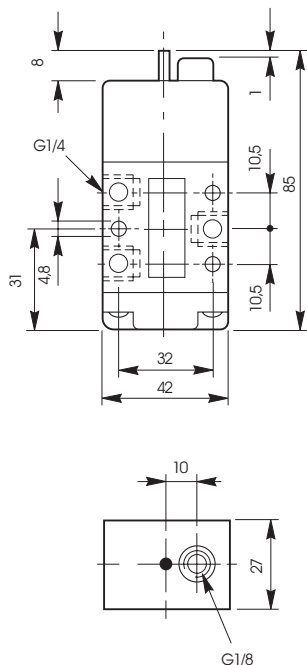
## Ordering information

Part nos.	Type	Actuator	Return	Symbol
<b>B53003PS</b>	3/2	Air pilot	Spring	
<b>B53004PS</b>	5/2	Air pilot	Spring	
<b>B53003PP</b>	3/2	Air pilot	Air pilot	
<b>B53004PP</b>	5/2	Air pilot	Air pilot	
<b>B53003J</b>	3/2	Air pilot	Differential pilot	
<b>B53004J</b>	5/2	Air pilot	Differential pilot	

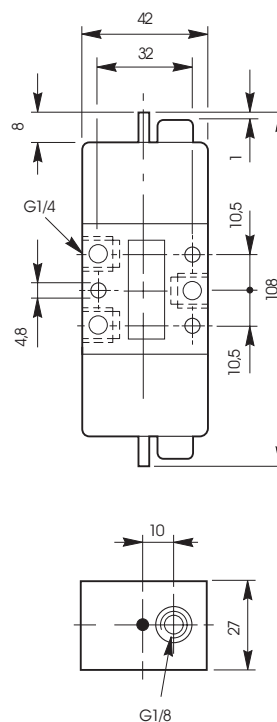
# Directional control valves G<sup>1</sup>/<sub>4</sub>, 3/2 - 5/2

## 3/2 valve dimensions (mm)

Air pilot operated  
spring return

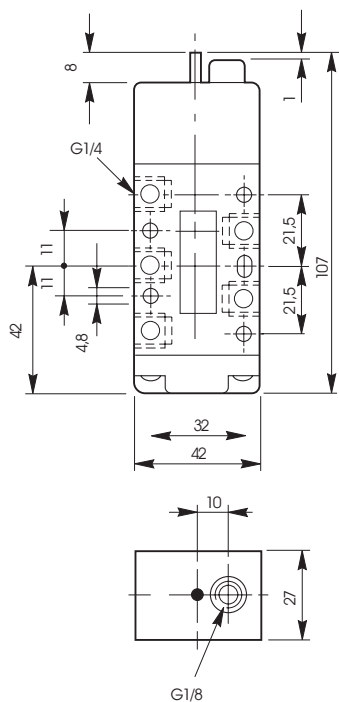


Double air pilot operated

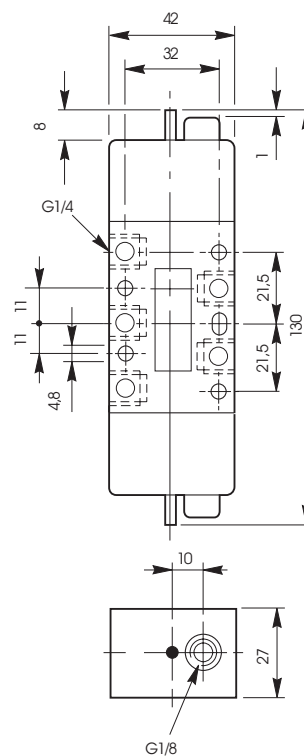


## 5/2 valve dimensions (mm)

Air pilot operated  
spring return



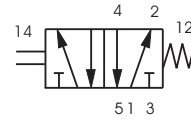
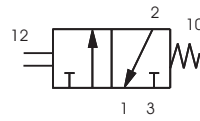
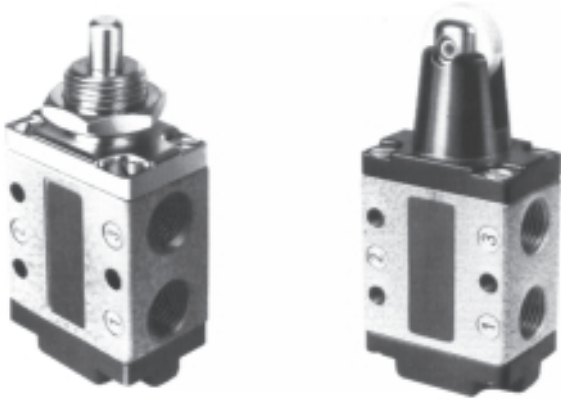
Double air pilot operated



# Directional control valves G<sup>1</sup>/<sub>4</sub>, 3/2 - 5/2

## Mechanically operated valves

## Symbol



## Materials

Body	Zinc diecast
Actuator	Zinc diecast
Spool	Stainless steel
Bushes	Brass
Seals	Viton (valve body) Nitrile (actuators)
Spring housing	Nylon (acetal resin)

## Technical information

Type	Spool valve
Style	Body ported
Port size	G <sup>1</sup> / <sub>4</sub>
Mounting	Any plane
Temperature range	-10°C to +80°C

## Pneumatic information

Pressure range	0 to 10 bar
Nominal Ø	7mm
Nominal flow at 7 bar	26 dm <sup>3</sup> /s

## Ordering information

Part nos.	Type	Actuator	Return	Symbol	Optional air pilot return
<b>B53003CS</b>	3/2	Plunger	Spring		
<b>B53004CS</b>	5/2	Plunger	Spring		
<b>B53003RS</b>	3/2	Roller	Spring		
<b>B53004RS</b>	5/2	Roller	Spring		

**Note:** All valves featured on this page are available with air pilot return mechanisms. To order delete 'S' for spring and add 'P' e.g. **B53003CP**.

For dimensions of air pilot housing see page



# Directional control valves G<sup>1</sup>/<sub>4</sub>, 3/2 - 5/2

## Manually operated valves



## Symbol



## Materials

Body	Zinc diecast
Actuator	Zinc diecast
Spool	Stainless steel
Bushes	Brass
Seals	Viton (valve body) Nitrile (actuators)
Spring housing	Nylon (acetal resin)

## Technical information

Type	Spool valve
Style	Body ported
Port size	G <sup>1</sup> / <sub>4</sub>
Mounting	Any plane
Temperature range	-10°C to +80°C

## Pneumatic information

Pressure range	0 to 10 bar
Nominal Ø	7mm
Nominal flow at 7 bar	26 dm <sup>3</sup> /s

## Ordering information

Part nos.	Type	Actuator	Return	Symbol	Optional air pilot return
<b>B53003HXS</b>	3/2	Button	Spring		
<b>B53004HXS</b>	5/2	Button	Spring		
<b>B53003HX</b>	3/2	Button	Spring		
<b>B53004HX</b>	5/2	Button	Spring		
<b>B53003LS</b>	3/2	Lever	Spring		
<b>B53004LS</b>	5/2	Lever	Spring		
<b>B53003LT</b>	3/2	Lock down lever			
<b>B53004LT</b>	5/2	Lock down lever			
<b>M53004L-10A</b>	Panel mounting plate				

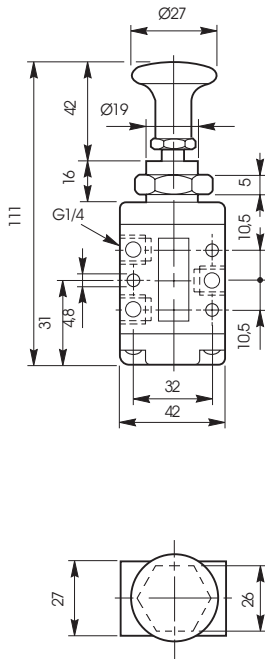
**Note:** All valves featured on this page are available with an air pilot return mechanism.

To order delete 'S' for spring and add 'P'. e.g. **B53003CP**  
For dimensions of air pilot housing see page

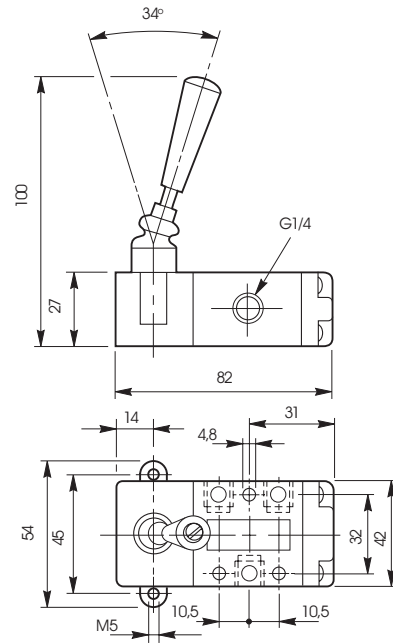
# Directional control valves G<sup>1</sup>/<sub>4</sub>, 3/2 - 5/2

## 3/2 valve dimensions (mm)

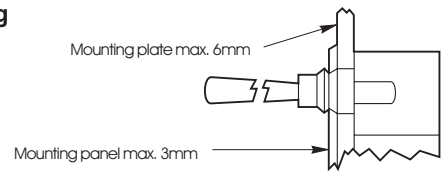
### Button operated spring return



### Lever operated spring return

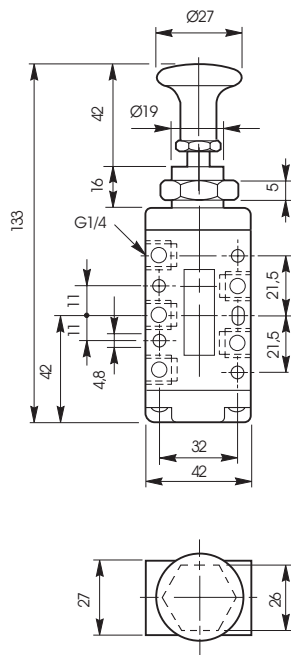


### Panel mounting

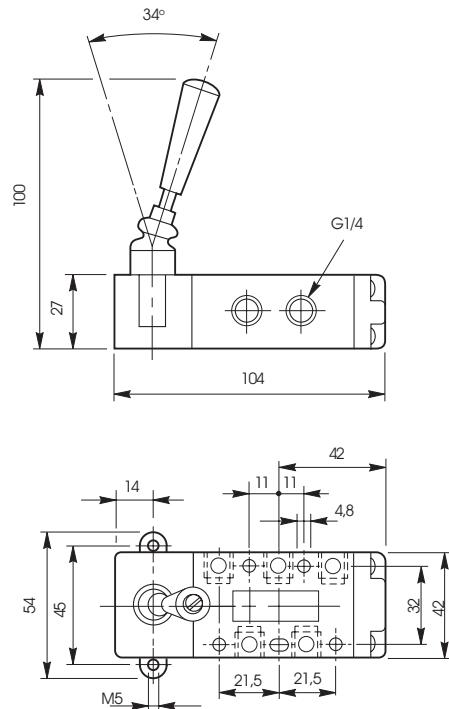


## 5/2 valve dimensions (mm)

### Button operated spring return



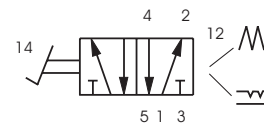
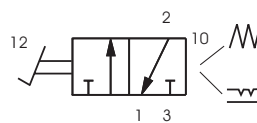
### Lever operated spring return



# Directional control valves G<sup>1</sup>/<sub>4</sub>, 3/2 - 5/2

## Manually operated valves

## Symbol



## Materials

Body	Zinc diecast
Actuator	Zinc diecast
Spool	Stainless steel
Bushes	Brass
Seals	Viton (valve body) Nitrile (actuators)
Spring housing	Nylon (acetal resin)

## Technical information

Type	Spool valve
Style	Body ported
Port size	G <sup>1</sup> / <sub>4</sub>
Mounting	Any plane
Temperature range	-10°C to +80°C

## Pneumatic information

Pressure range	0 to 10 bar
Nominal Ø	7mm
Nominal flow at 7 bar	26 dm <sup>3</sup> /s

## Ordering information

Part nos.	Type	Actuator	Return	Symbol	Optional air pilot return
<b>B53003FS</b>	3/2	Foot pedal	Spring		
<b>B53004FS</b>	5/2	Foot pedal	Spring		
<b>B53003G</b>	3/2	Foot pedal	Foot pedal		
<b>B53004G</b>	5/2	Foot pedal	Foot pedal		

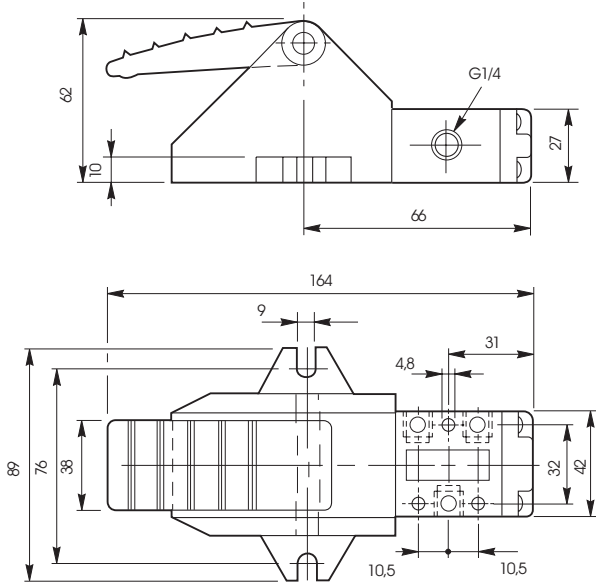
**Note:** For details of foot guard kits see page

Spring return valves are available with an air pilot return mechanism. To order delete 'S' for spring and add 'P'.  
e.g. **B53003FP**

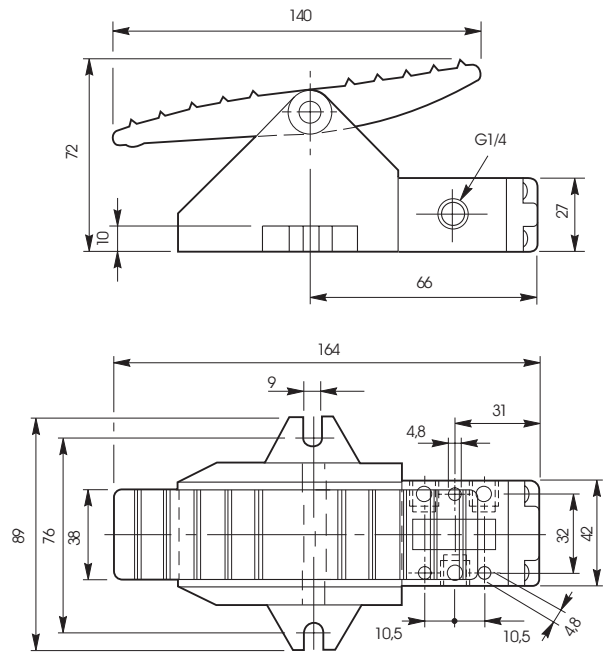
# Directional control valves G<sup>1</sup>/<sub>4</sub>, 3/2 - 5/2

## 3/2 valve dimensions (mm)

Foot pedal operated  
spring return

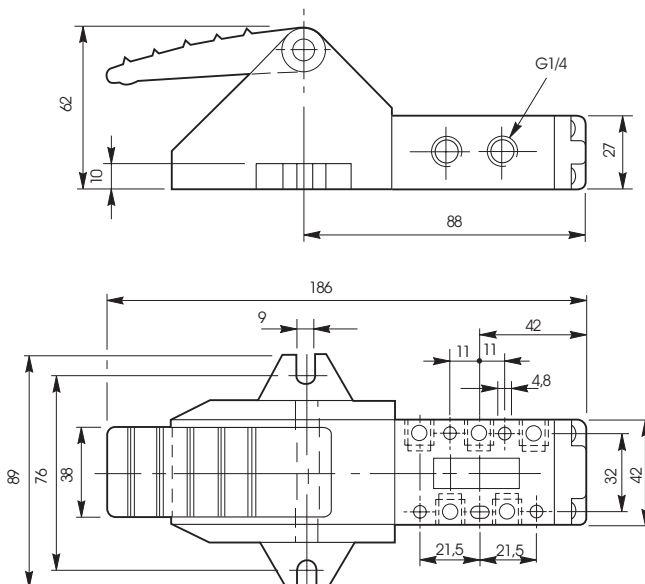


Foot pedal operated

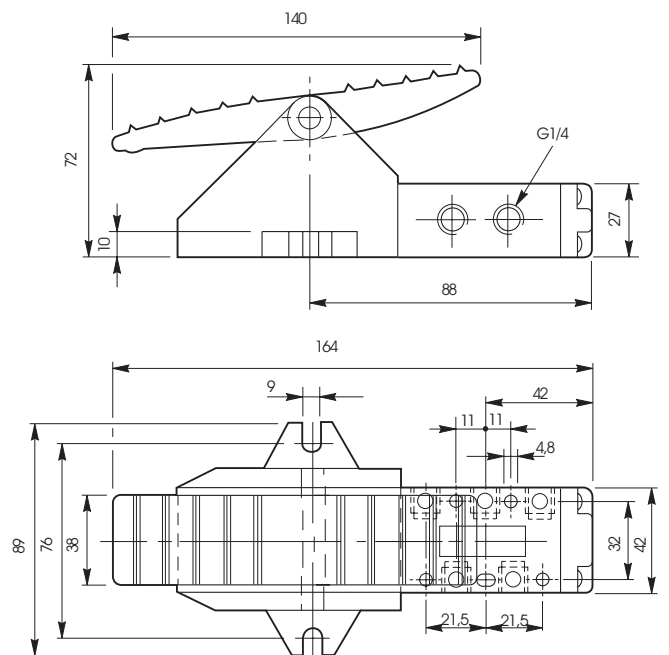


## 5/2 valve dimensions (mm)

Foot pedal operated  
spring return

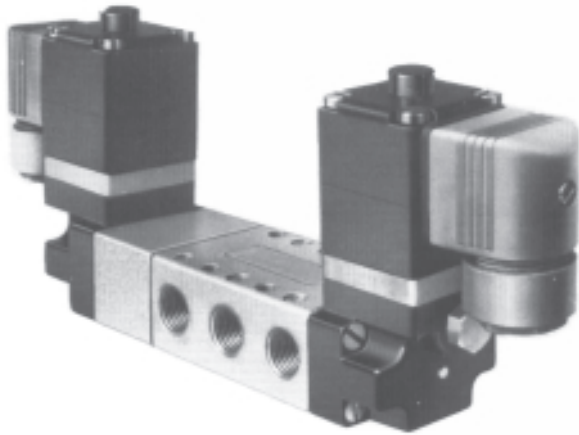


Foot pedal operated

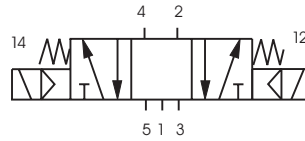


# Directional control valves G<sup>1</sup>/<sub>4</sub>, - 5/3

**Double solenoid pilot operated  
5 watt solenoid  
Self centring valves**



## Symbol



## Materials

Body	Zinc diecast
Actuator	Zinc diecast
Spool	Stainless steel
Bushes	Brass
Seals	Viton (valve body) Nitrile (actuators)

## Technical information

Type	Spool valve
Style	Body ported
Port size	G <sup>1</sup> / <sub>4</sub>
Mounting	Any plane
Temperature range	-10°C to +55°C

## Pneumatic information

Pressure range	0 to 10 bar
Minimum Spring return	1,7 bar
Nominal Ø	7mm
Nominal flow at 7 bar	26 dm <sup>3</sup> /s

## Electrical information

Power consumption	Inrush	Hold
	AC 14VA	9VA
	DC 5 Watt	
Rating	100% ED	
Isolating class	F	
Protection class	IP 65 (P 54) DIN 40 050	
Connection	DIN 43 650 Form B	

## Voltage selection

Suffix	50 Hz	D.C.
T	10-13	5-6.5
TA	2-26	10-13
T F	44-55	21-26
T C	85-110	43-55
S	94-121	54-69
T S	153-242	94-121
SA	204-264	102-132

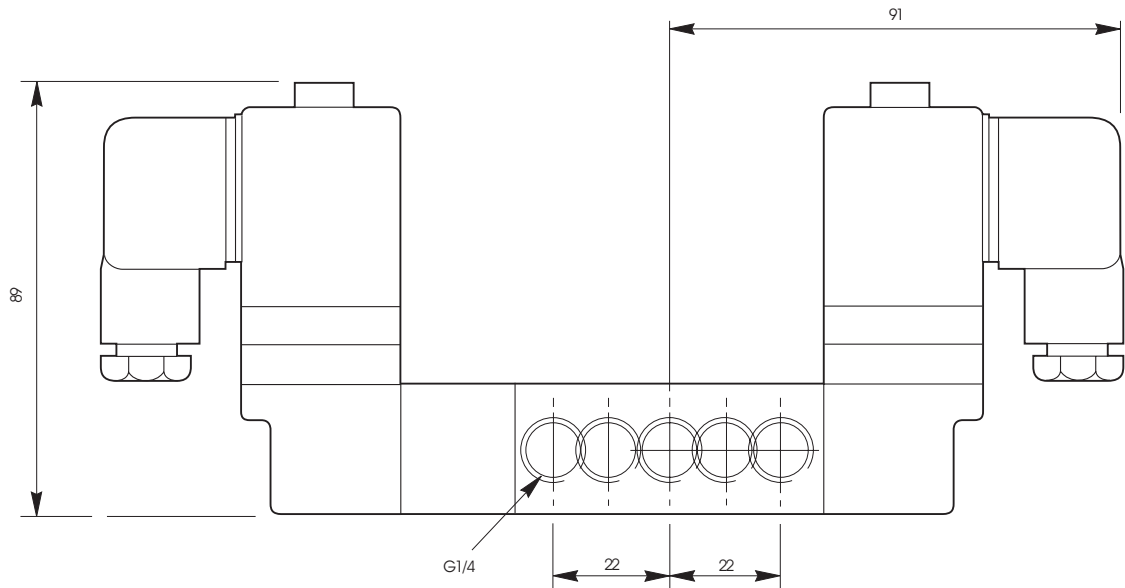
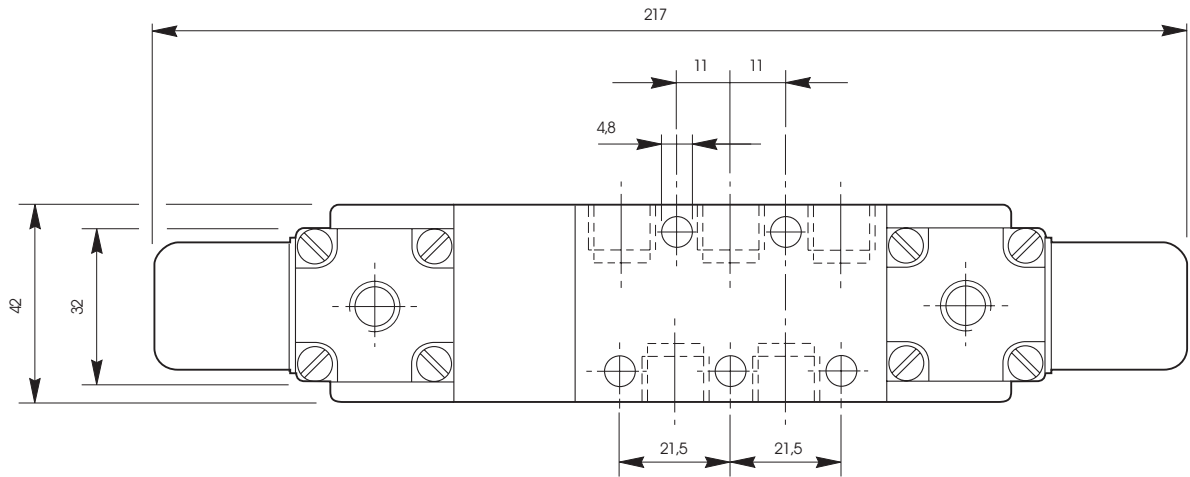
## Ordering information

Part nos.	Type	Actuator	Return	Mid	Symbol
<b>LB53024X*</b>	5/3	Solenoid pilot	Solenoid pilot	Neutral	
<b>LB53024Y*</b>	5/3	Solenoid pilot	Solenoid pilot	Negative	
<b>LB53024Z*</b>	5/3	Solenoid pilot	Solenoid pilot	Positive	

\*Specify voltage and add suffix letters  
For manual override add suffix M.

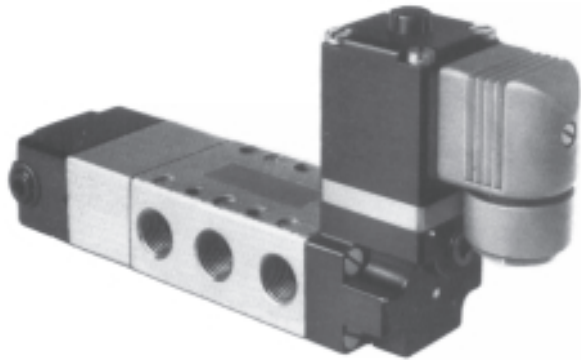
# Directional control valves G<sup>1</sup>/<sub>4</sub>, - 5/3

## 5/3 valve dimensions (mm)

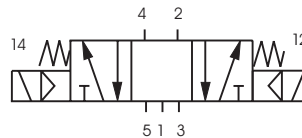


# Directional control valves G<sup>1</sup>/<sub>4</sub>, - 5/3

## Solenoid pilot operated 4 and 5 watt solenoids



## Symbol



## Materials

Body	Zinc diecast
Actuator	Zinc diecast
Spool	Stainless steel
Bushes	Brass
Seals	Viton (valve body) Nitrile (actuators)

## Technical information

Type	Spool valve
Style	Body ported
Port size	G <sup>1</sup> / <sub>4</sub>
Mounting	Any plane
Temperature range	-10°C to +55°C

## Pneumatic information

Pressure range	0 to 10 bar
Minimum Spring return	1,7 bar
Nominal Ø	7mm
Nominal flow at 7 bar	26 dm <sup>3</sup> /s

## Electrical information

Power consumption		Inrush	Hold
		4 watt	AC 9VA 6VA
solenoid		DC	4 Watt
		5 watt	AC 14VA 9VA
solenoid		DC	5 Watt
		Rating	100% ED
Isolating class		F	
Protection class		IP 65 (P 54) DIN 40 050	
Connection		DIN 43 650 Form B	

## Voltage selection

Suffix	50 Hz	D.C.
T	10-13	5-6.5
TA	2-26	10-13
T F	44-55	21-26
T C	85-110	43-55
S	94-121	54-69
T S	153-242	94-121
SA	204-264	102-132

For 4 watt coils see page

## Ordering information

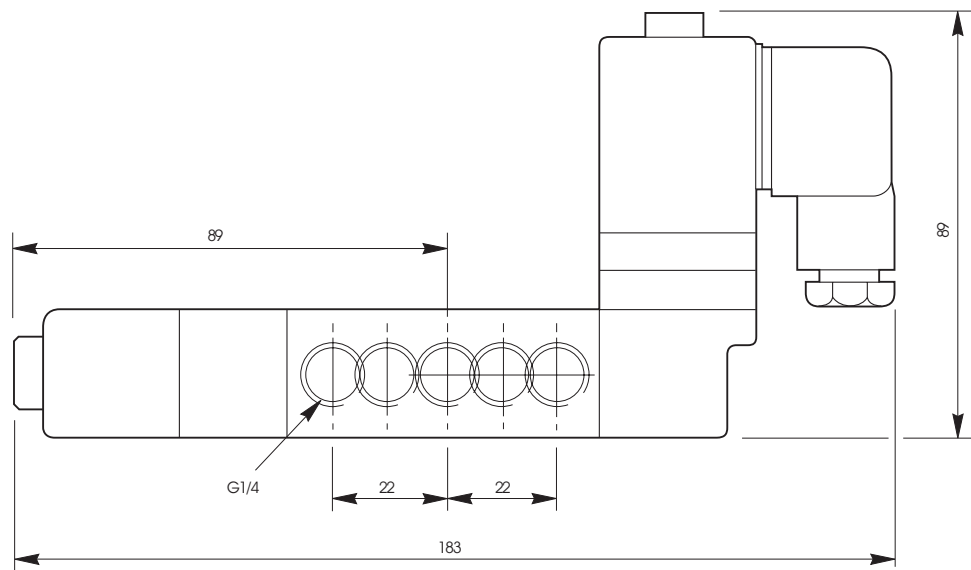
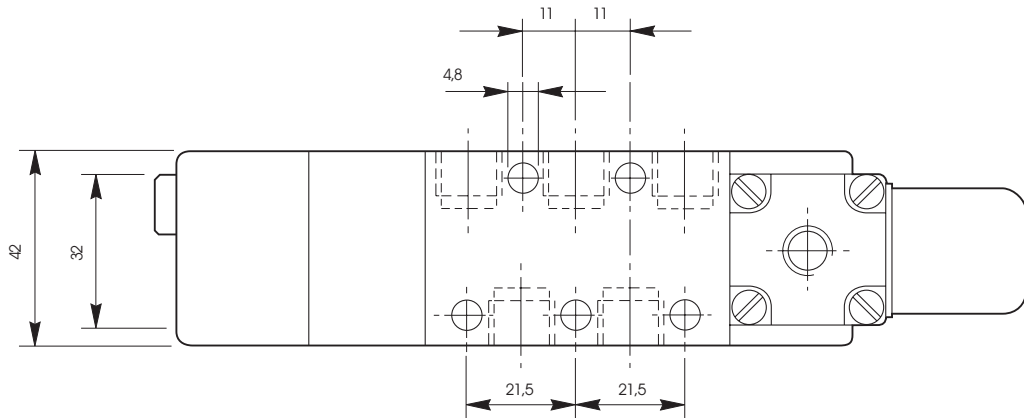
Part nos.	Type	Coil	Actuator	Return	Mid	Symbol
<b>LB53434X*</b>	5/3	4 watt	Solenoid pilot	Air pilot	Neutral	
<b>LB53434Y*</b>	5/3	4 watt	Solenoid pilot	Air pilot	Negative	
<b>LB53434Z*</b>	5/3	4 watt	Solenoid pilot	Air pilot	Positive	
<b>LB53034X*</b>	5/3	5 watt	Solenoid pilot	Air pilot	Neutral	
<b>LB53034Y*</b>	5/3	5 watt	Solenoid pilot	Air pilot	Negative	
<b>LB53034Z*</b>	5/3	5 watt	Solenoid pilot	Air pilot	Positive	

\*Specify voltage and add suffix letters

For manual override add suffix M.

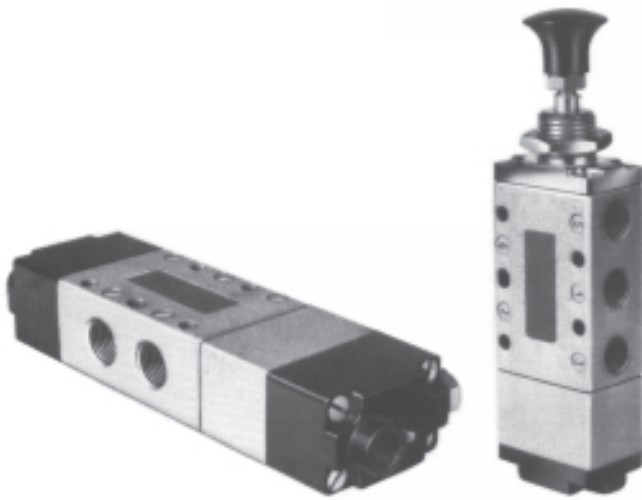
# Directional control valves G<sup>1</sup>/<sub>4</sub>, - 5/3

## 5/3 valve dimensions (mm)

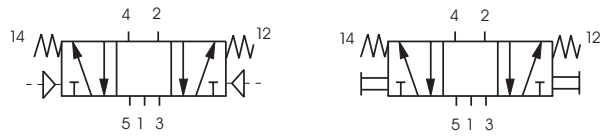


# Directional control valves G<sup>1</sup>/<sub>4</sub>, - 5/3

## Button and air pilot operated Self centring valves



## Symbol



## Materials

Body	Zinc diecast
Actuator	Zinc diecast
Spool	Stainless steel
Bushes	Brass
Seals	Viton (valve body) Nitrile (actuators)
Spring housing	Nylon (acetal resin)

## Technical information

Type	Spool valve
Style	Body ported
Port size	G <sup>1</sup> / <sub>4</sub>
Mounting	Any plane
Temperature range	-10°C to +80°C

## Pneumatic information

Pressure range	0 to 10 bar
Minimum Spring return	2,7 bar
Nominal Ø	7mm
Nominal flow at 7 bar	26 dm <sup>3</sup> /s

## Button colours

X = Black (standard)

Y = Red

Z = Green

## Ordering information

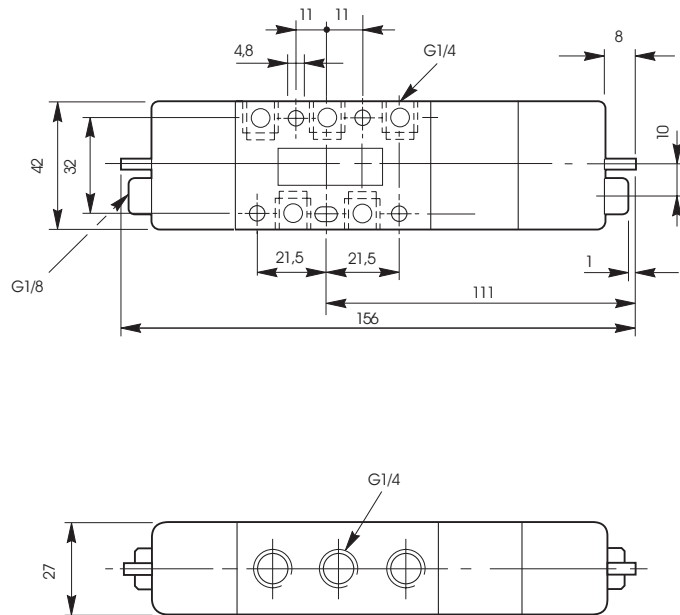
Part nos.	Type	Actuator	Return	Mid	Symbol	Optional pilot return
<b>B53004PX</b>	5/3	Air pilot	Spring	Neutral		
<b>B53004PY</b>	5/3	Air pilot	Spring	Negative		
<b>B53004PZ</b>	5/3	Air pilot	Spring	Positive		
<b>B53004HXX</b>	5/3	Button	Spring	Neutral		
<b>B53004HXY</b>	5/3	Button	Spring	Negative		
<b>B53004HXZ</b>	5/3	Button	Spring	Positive		

For dimension of air housing see page

# Directional control valves G<sup>1</sup>/<sub>4</sub>, - 5/3

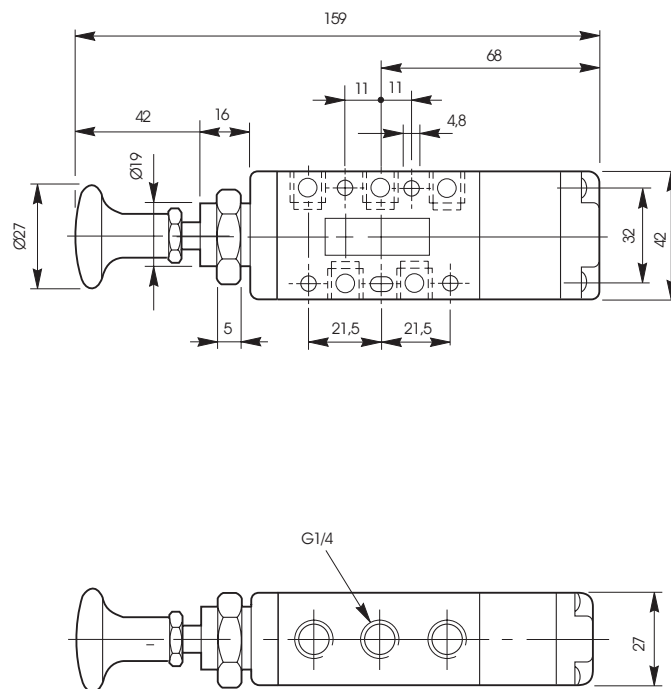
## 5/3 valve dimensions (mm)

Air pilot operated



## 5/3 valve dimensions (mm)

Button operated

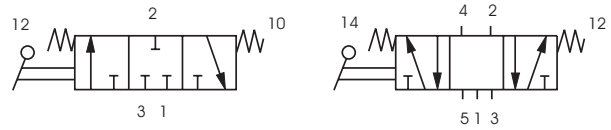


# Directional control valves G<sup>1</sup>/<sub>4</sub>, 3/3 - 5/3

## Lever operated Self centring valves



## Symbol



## Materials

Body	Zinc diecast
Actuator	Zinc diecast
Spool	Stainless steel
Bushes	Brass
Seals	Viton (valve body) Nitrile (actuators)
Spring housing	Nylon (acetal resin)

## Technical information

Type	Spool valve
Style	Body ported
Port size	G <sup>1</sup> / <sub>4</sub>
Mounting	Any plane
Temperature range	-20°C to +80°C

## Pneumatic information

Pressure range	0 to 10 bar
Nominal Ø	7mm
Nominal flow at 7 bar	26 dm <sup>3</sup> /s

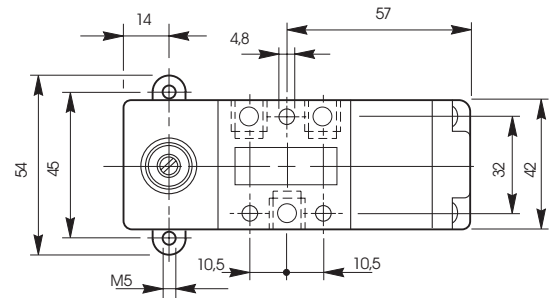
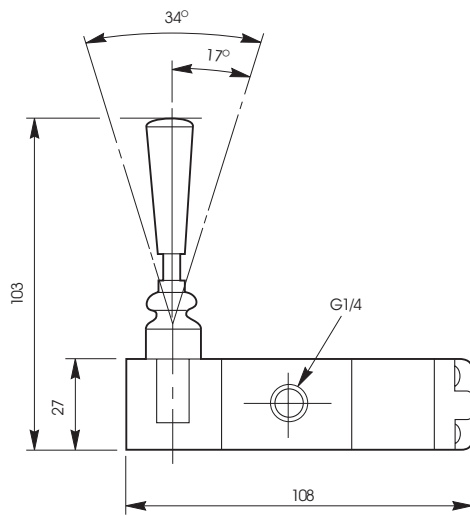
## Ordering information

Part nos.	Type	Actuator	Return	Mid	Symbol	Optional air pilot return
<b>B53003LX</b>	3/3	Lever	Spring	Neutral		
<b>B53004LX</b>	5/3	Lever	Spring	Neutral		
<b>B53003LY</b>	5/3	Lever	Spring	Negative		
<b>B53004LZ</b>	5/3	Lever	Spring	Positive		
<b>M53004L-10A</b>	Panel mounting plate					

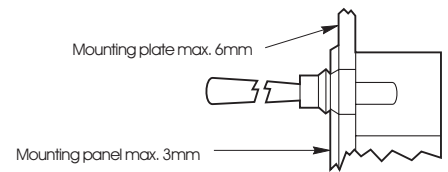
# Directional control valves G<sup>1</sup>/<sub>4</sub>, 3/3 - 5/3

## 3/3 valve dimensions (mm)

Lever operated

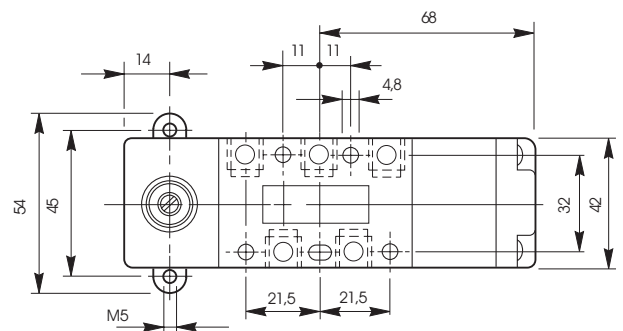
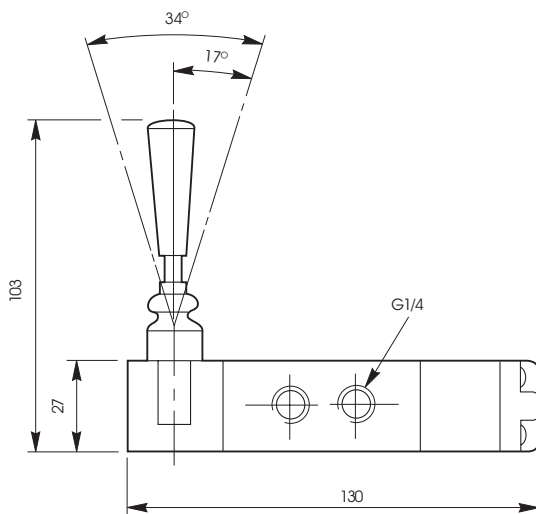


### Panel mounting



## 5/3 valve dimensions (mm)

Lever operated

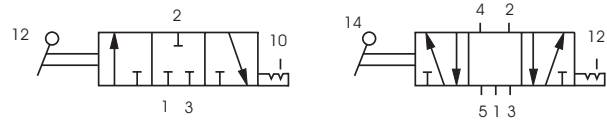


# Directional control valves G<sup>1</sup>/<sub>4</sub>, 3/3 - 5/3

## Lever operated 3 position



## Symbol



## Materials

Body	Zinc diecast
Actuator	Zinc diecast
Spool	Stainless steel
Bushes	Brass
Seals	Viton (valve body) Nitrile (actuators)
Spring housing	Nylon (acetal resin)

## Technical information

Type	Spool valve
Style	Body ported
Port size	G <sup>1</sup> / <sub>4</sub>
Mounting	Any plane
Temperature range	-20°C to +80°C

## Pneumatic information

Pressure range	0 to 10 bar
Nominal Ø	7mm
Nominal flow at 7 bar	26 dm <sup>3</sup> /s

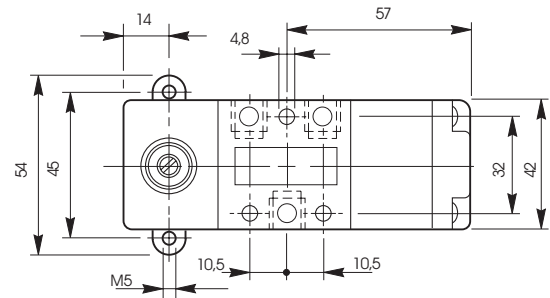
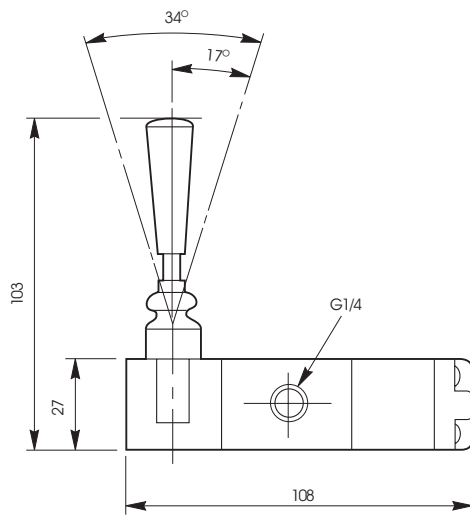
## Ordering information

Part nos.	Type	Actuator	Return	Mid	Symbol	Optional air pilot return
<b>B53003L</b>	3/3	Lever	Lever	Neutral		
<b>B53004L</b>	5/3	Lever	Lever	Neutral		
<b>B53003LW</b>	5/3	Lever	Lever	Negative		
<b>B53004LN</b>	5/3	Lever	Lever	Positive		
<b>M53004L-10A</b>	Panel mounting plate					

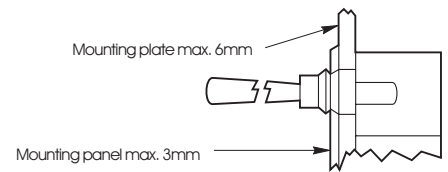
# Directional control valves G<sup>1</sup>/<sub>4</sub>, 3/3 - 5/3

## 3/3 valve dimensions (mm)

Lever operated

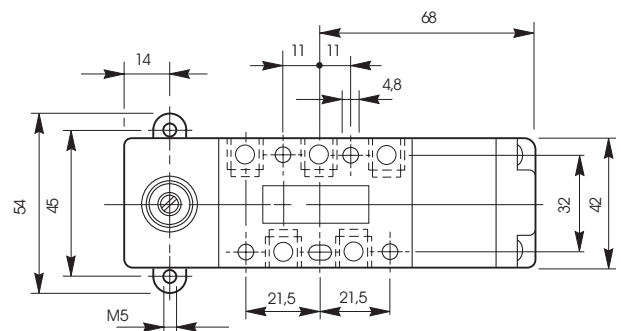
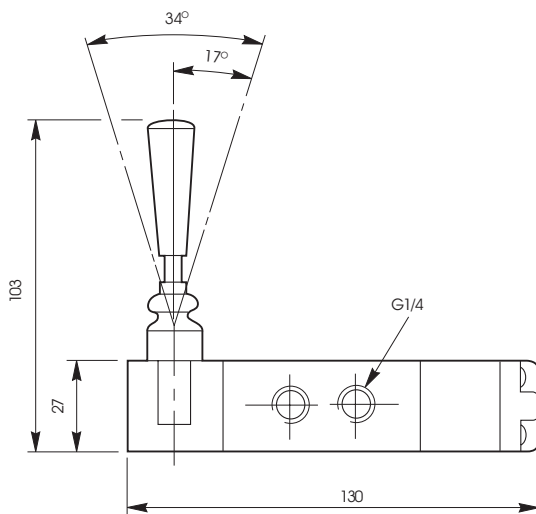


### Panel mounting



## 5/3 valve dimensions (mm)

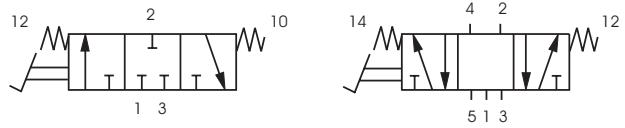
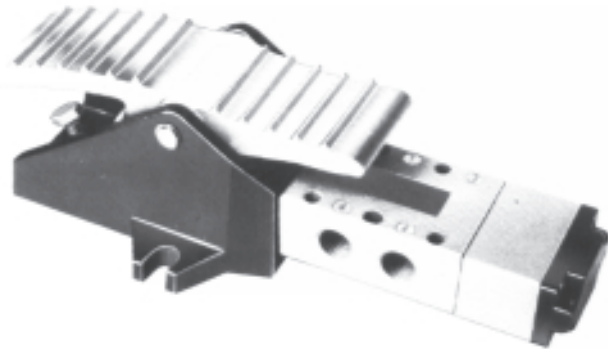
Lever operated



# Directional control valves G<sup>1</sup>/<sub>4</sub>, 3/3 - 5/3

## Manually operated valves

## Symbol



## Materials

Body	Zinc diecast
Actuator	Zinc diecast
Spool	Stainless steel
Bushes	Brass
Seals	Viton (valve body) Nitrile (actuators)
Spring housing	Nylon (acetal resin)

## Technical information

Type	Spool valve
Style	Body ported
Port size	G <sup>1</sup> / <sub>4</sub>
Mounting	Any plane
Temperature range	-10°C to +80°C

## Pneumatic information

Pressure range	0 to 10 bar
Nominal Ø	7mm
Nominal flow at 7 bar	26 dm <sup>3</sup> /s

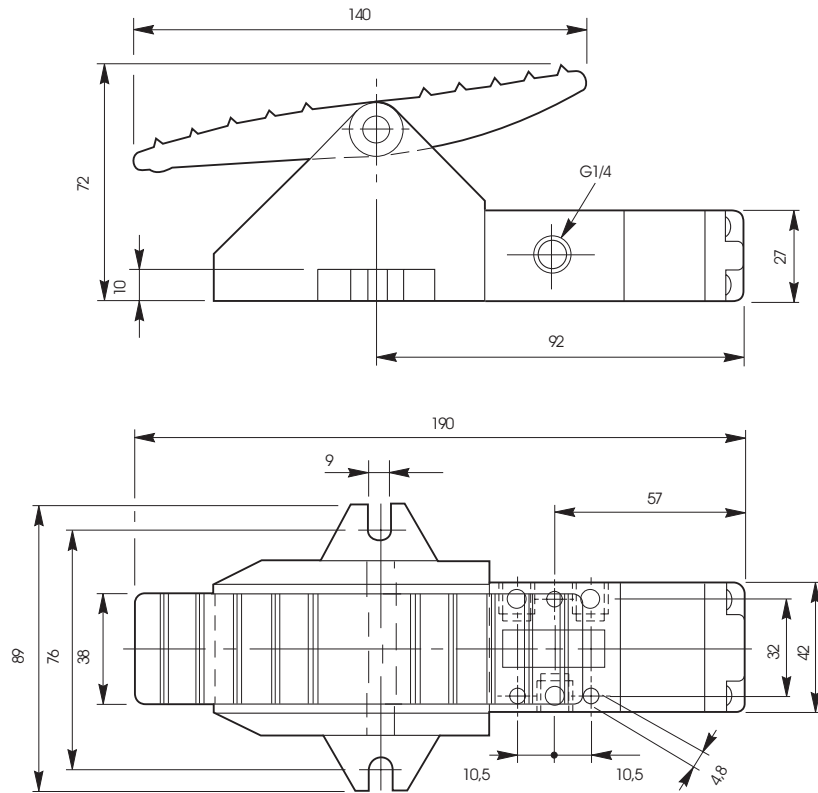
## Ordering information

Part nos.	Type	Actuator	Return	Mid	Symbol	Optional air pilot return
<b>B53003GX</b>	3/3	Foot	Foot	Neutral		
<b>B53004GX</b>	5/3	Foot	Foot	Neutral		
<b>B53004GY</b>	5/3	Foot	Foot	Negative		
<b>B53004GZ</b>	5/3	Foot	Foot	Positive		

# Directional control valves G<sup>1</sup>/<sub>4</sub>, 3/3 - 5/3

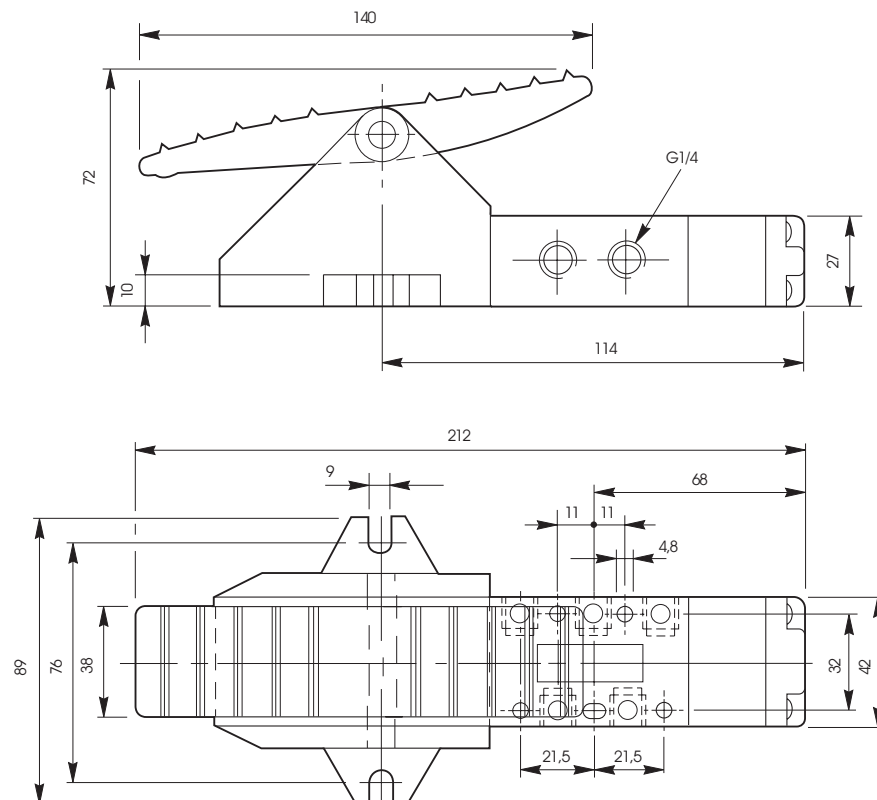
## 3/3 valve dimensions (mm)

Foot pedal operated  
spring return



## 5/3 valve dimensions (mm)

Foot pedal operated  
spring return



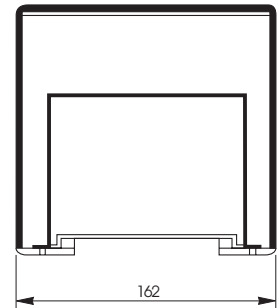
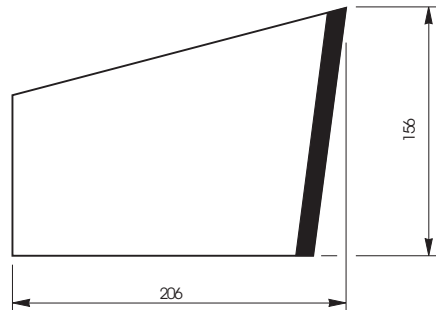
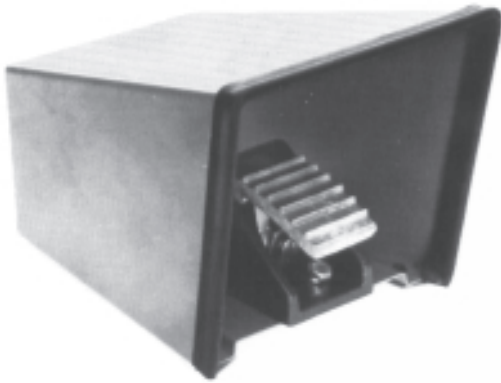
# Directional control valves G<sup>1</sup>/<sub>4</sub>

---

## Foot guard kit

To suit G<sup>1</sup>/<sub>4</sub> foot operated spool valves:

**B53003FS, B53004FS**



The guard completely encloses the valve and is designed to prevent both accidental operation and protect the operators foot from small metal fragments, dirt and grease.

Manufactured in mild steel, the front edge is protected by a rubber strip.

All valve connections are made through the back of the guard, producing a clean design of modern appearance.

The guard kit is supplied complete with valve mounting bolts, nuts and washers.

---

Part no. **3117**

---

## External air supplies

All solenoid-pilot operated valves have internal pilot air supply from a drilling within the valve, but are provided with an external port normally sealed by a blanking plug.

Internal pilot supply provides the same pressure for both main valve and pilot supply - with the use of external pilot supply variation of pressure on the solenoid operator is possible. When using solenoid valves with any medium other than air, then an external air supply must be made to the pilot to facilitate valve changeover.

If it is required to use external pilot supply, then the blanking plug should be removed from the port and the smaller plug contained underneath inserted into the internal counter bore drilling to seal off the internal air supply.

For applications using any medium other than air (i.e. vacuum or low pressure oil) we recommend you consult Technical Sales prior to operation.

## Repair kits

Mechanically operated valves  
Manually operated valves

Part no. **53007**

Air pilot operated valves  
Differential pilot operated valves

Part no. **53007**

Part no. **53007JR**

Solenoid pilot operated valves

Part no. **53007S**

## Lubricating oils

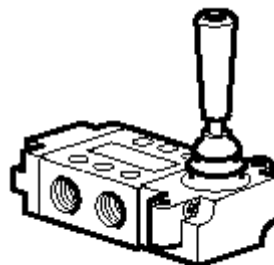
To ensure long life and trouble free service from valves, it is recommended the equipment should be adequately lubricated by means of lubricators which disperse oil into the system. Only paraffinic based oils can be used, and the following recommendations are given as a general guide to types of oil that are suitable for use with Parker Schrader Bellows airline equipment.

The list opposite does not preclude the use of oils manufactured by other companies but oils must be paraffinic based.

As a general guide, lubricator drip rates should be 1 drip/minute for every 5 litre/second (10 cubic feet per minute) passed through the equipment.

Oil company	Grade	Viscosity
Century oils	P.W.L.A.	32
Alexander Duckham	Zircon 4	32
Gulf oil (GB) Limited	Harmony 43 AW	32
Shell (UK) oil	Tellus 37	37
Burmah Castrol	Hyspin AWS 32	32
Edgar Vaughan	Y Hydrodrive HP 100	32
Esso Petroleum	Nuto H32	32
B.P.	HLP 32	32
Mobile Oil Company	DTE Oil - Light	32
Motul	VPI-A	32
Silkolene	Derwent 32	32

# Service and Replacement Parts



## B43 Series Manually Operated Valves

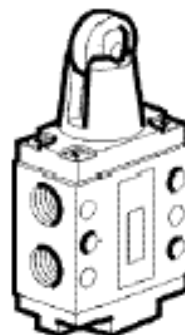
Part Number	Actuator	Replacement Actuator	Repair Kit
B43003BXS	Button	43004BX-100	Body Seals, 43007A
B43004BXS	Button		
B43003HXS	Button, Push/Pull	43003H-100	
B43004HXS	Button, Push/Pull	43004H-100	
B43003LS	Lockdown Lever	43004L-200	
B43004LS	Lockdown Lever		

## B53 Series Manually Operated Valves

Part Number	Actuator	Replacement Actuator	Repair Kit
B53003HXS	Button	53004HX-100	Body seals, 53007
B53004HXS	Button		
B53003HX	Button, Push/Pull		
B53004HX	Button, Push/Pull		
B53004HXX	Button, Self-centring		
B53004HXY	Button, Self-centring		
B53004HXZ	Button, Self-centring		
B53003FS	Foot	53004F-100	Body seals, 53007 Lever kit, 53004L-300R
B53004FS	Foot		
B53003LS	Lever	53004L-198	
B53004LS	Lever		
B53003LT	Lever, 2 position	53004L-196	
B53004LT	Lever, 2 position		
B53004L	Lever, 3 position	53004L-100	
B53004LW	Lever, 3 position		
B53004LX	Lever, Self-centring	53004L-198	
B53004LY	Lever, Self-centring		

# Service and Replacement Parts

---



## B43 Series Mechanically operated valves

Part Number	Actuator	Replacement Actuator	Repair Kit
B43003CS	Plunger	43004C-100	Body seals, 43007A
B43004CS			
B43003RS	Roller Lever	43004R-200	
B43004RS			

## B53 Series Mechanically operated valves

Part Number	Actuator	Replacement Actuator	Repair Kit
B53003CS	Plunger	53004C-100	Body seals, 53007
B53004CS			
B53003RS	Roller	53004R-100	
B53004RS			