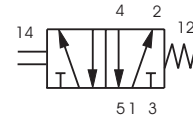
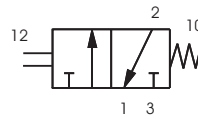


Directional control valves G¹/₄, 3/2 - 5/2

Manually operated valves



Symbol



Materials

Body	Zinc diecast
Actuator	Zinc diecast
Spool	Stainless steel
Bushes	Brass
Seals	Viton (valve body) Nitrile (actuators)
Spring housing	Nylon (acetal resin)

Technical information

Type	Spool valve
Style	Body ported
Port size	G ¹ / ₄
Mounting	Any plane
Temperature range	-10°C to +80°C

Pneumatic information

Pressure range	0 to 10 bar
Nominal Ø	7mm
Nominal flow at 7 bar	26 dm ³ /s

Ordering information

Part nos.	Type	Actuator	Return	Symbol	Optional air pilot return
B53003HXS	3/2	Button	Spring		
B53004HXS	5/2	Button	Spring		
B53003HX	3/2	Button	Spring		
B53004HX	5/2	Button	Spring		
B53003LS	3/2	Lever	Spring		
B53004LS	5/2	Lever	Spring		
B53003LT	3/2	Lock down lever			
B53004LT	5/2	Lock down lever			
M53004L-10A	Panel mounting plate				

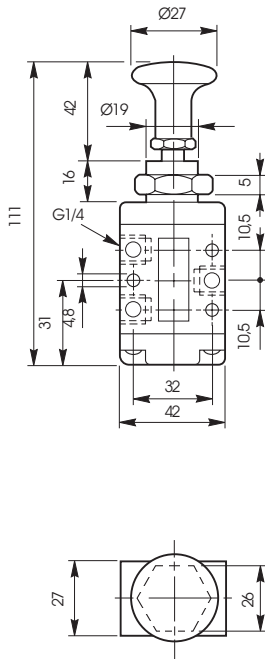
Note: All valves featured on this page are available with an air pilot return mechanism.

To order delete 'S' for spring and add 'P'. e.g. **B53003CP**
For dimensions of air pilot housing see page

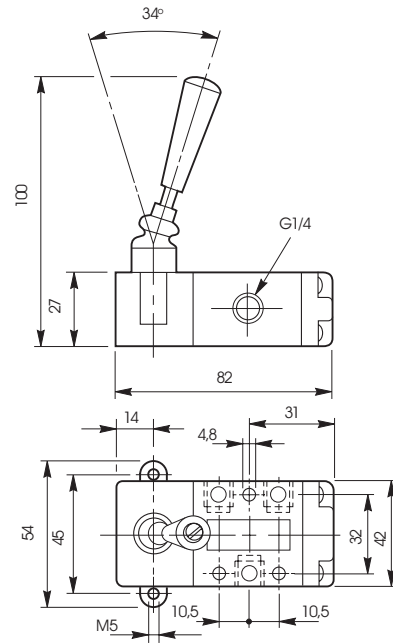
Directional control valves G¹/₄, 3/2 - 5/2

3/2 valve dimensions (mm)

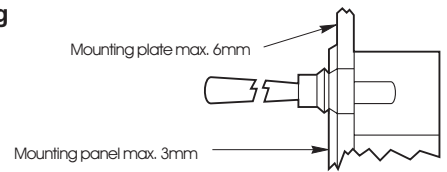
Button operated spring return



Lever operated spring return

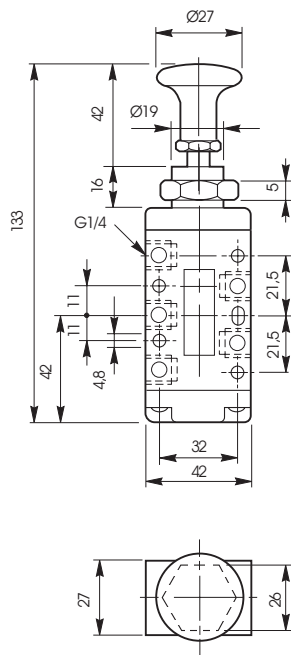


Panel mounting



5/2 valve dimensions (mm)

Button operated spring return



Lever operated spring return

