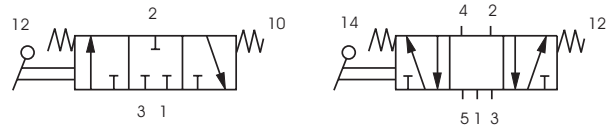


# Directional control valves G<sup>1</sup>/<sub>4</sub>, 3/3 - 5/3

## Lever operated Self centring valves



## Symbol



## Materials

Body	Zinc diecast
Actuator	Zinc diecast
Spool	Stainless steel
Bushes	Brass
Seals	Viton (valve body) Nitrile (actuators)
Spring housing	Nylon (acetal resin)

## Technical information

Type	Spool valve
Style	Body ported
Port size	G <sup>1</sup> / <sub>4</sub>
Mounting	Any plane
Temperature range	-20°C to +80°C

## Pneumatic information

Pressure range	0 to 10 bar
Nominal Ø	7mm
Nominal flow at 7 bar	26 dm <sup>3</sup> /s

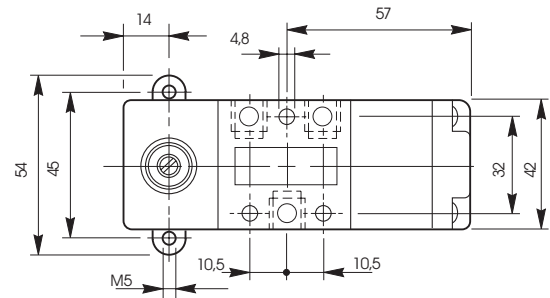
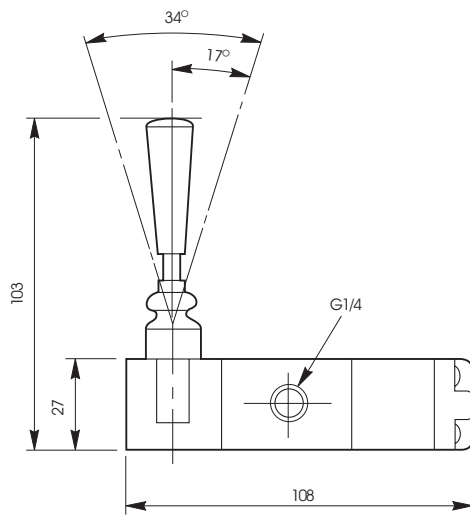
## Ordering information

Part nos.	Type	Actuator	Return	Mid	Symbol	Optional air pilot return
<b>B53003LX</b>	3/3	Lever	Spring	Neutral		
<b>B53004LX</b>	5/3	Lever	Spring	Neutral		
<b>B53003LY</b>	5/3	Lever	Spring	Negative		
<b>B53004LZ</b>	5/3	Lever	Spring	Positive		
<b>M53004L-10A</b>	Panel mounting plate					

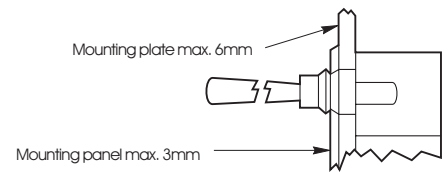
# Directional control valves G<sup>1</sup>/<sub>4</sub>, 3/3 - 5/3

## 3/3 valve dimensions (mm)

Lever operated



### Panel mounting



## 5/3 valve dimensions (mm)

Lever operated

