

**Piston rod mountings**

**Swivel rod eye AP6**

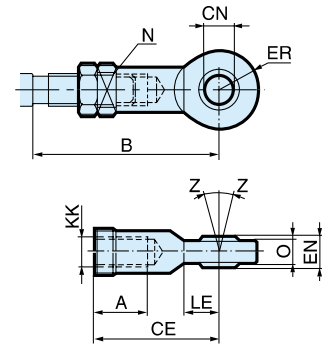


Swivel rod eye for articulated mounting of cylinder.  
Swivel rod eye can be combined with clevis bracket GA.  
Maintenance-free.

Material:  
Swivel rod eye: Zinc-plated steel  
Swivel bearing according to DIN 648K: Hardened steel

Cyl. bore Ø mm	Weight kg	Order code
32	0,08	<b>P1C-4KRS</b>
40	0,12	<b>P1C-4LRS</b>
50	0,25	<b>P1C-4MRS</b>
63	0,25	<b>P1C-4MRS</b>
80	0,46	<b>P1C-4PRS</b>
100	0,46	<b>P1C-4PRS</b>
125	1,28	<b>P1C-4RRS</b>

Cyl. bore mm	A mm	B min mm	B max mm	CE mm	CN mm	EN h9 mm	ER h12 mm	KK mm	LE min mm	N mm	O mm	Z °
32	20	48,0	55	43	10	14	14	M10x1,25	15	17	10,5	12°
40	22	56,0	62	50	12	16	16	M12x1,25	17	19	12,0	12°
50	28	72,0	80	64	16	21	21	M16x1,5	22	22	15,0	15°
63	28	72,0	80	64	16	21	21	M16x1,5	22	22	15,0	15°
80	33	87,0	97	77	20	25	25	M20x1,5	26	32	18,0	15°
100	33	87,0	97	77	20	25	25	M20x1,5	26	32	18,0	15°
125	51	123,5	137	110	30	37	35	M27x2	36	41	25,0	15°



**Clevis AP2**



Clevis for articulated mounting of cylinder.

Material:  
Clevis, clip: Galvanized steel  
Pin: Hardened steel

Cyl. bore Ø mm	Weight kg	Order code
32	0,09	<b>P1C-4KRC</b>
40	0,15	<b>P1C-4LRC</b>
50	0,35	<b>P1C-4MRC</b>
63	0,35	<b>P1C-4MRC</b>
80	0,75	<b>P1C-4PRC</b>
100	0,75	<b>P1C-4PRC</b>
125	2,10	<b>P1C-4RRC</b>

Cyl. bore mm	A mm	B min mm	B max mm	CE mm	CK h11/E9 mm	CL mm	CM mm	ER mm	KK mm	LE mm	O mm
32	20	45,0	52	40	10	20	10	16	M10x1,25	20	28,0
40	24	54,0	60	48	12	24	12	19	M12x1,25	24	32,0
50	32	72,0	80	64	16	32	16	25	M16x1,5	32	41,5
63	32	72,0	80	64	16	32	16	25	M16x1,5	32	41,5
80	40	90,0	100	80	20	40	20	32	M20x1,5	40	50,0
100	40	90,0	100	80	20	40	20	32	M20x1,5	40	50,0
125	56	123,5	137	110	30	55	30	45	M27x2	54	72,0

