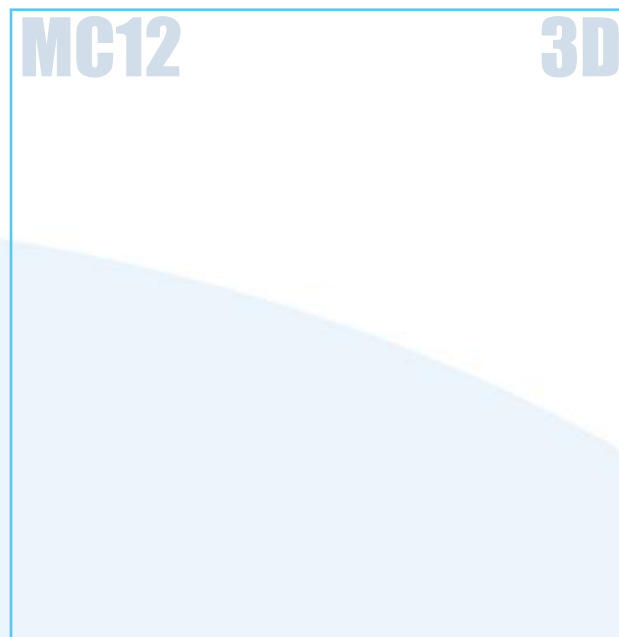
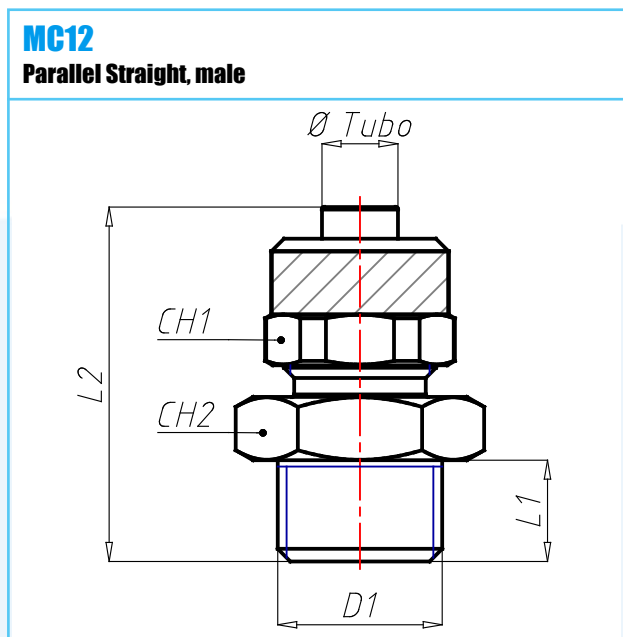


Material: Brass Nickel Plated
Working Temperature: -40 ÷ 150 C°
Working Temperature: -40 ÷ 302 F°
Working Pressure (max): 25 bar
Working Pressure (max): 363 psi
Vacuum: -99 kPa
Vacuum: Hg
Conformity:

Conformity: RoHS
Conformity:
Conformity:
Conformity:
Application Pneumatic circuits



NAME	CODE	TYPE	VAR_E_TUBO	VAR_I_TUBO	D1	L1	L1IN	L2	L2IN	CH1	CH2	G	OZ	WTF	WPP	NN
02020010	02020010	MC12 04 M5	4	2,5	M5x0,8	5	.197	20	.787	7	7	3,4	.120	-40 ÷ 302	363	0
02020011	02020011	MC12 04 18	4	2,5	G1/8	6	.236	22,5	.886	7	14	9,7	.342	-40 ÷ 302	363	0
02020020	02020020	MC12 05 M5	5	3	M5x0,8	4	.157	20	.787	8	8	4,8	.169	-40 ÷ 302	363	0
02020030	02020030	MC12 06 M5	6	4	M5x0,8	4	.157	21	.827	9	8	6,1	.215	-40 ÷ 302	363	0
02020031	02020031	MC12 06 18	6	4	G1/8	6	.236	25,5	1.004	12	14	16,4	.578	-40 ÷ 302	363	0
02020032	02020032	MC12 06 14	6	4	G1/4	8	.315	28	1.102	12	17	21	.741	-40 ÷ 302	363	0
02020033	02020033	MC12 06 38	6	4	G3/8	9	.354	29	1.142	12	19	27,5	.970	-40 ÷ 302	363	0

02020041	02020041	MC12 08 18	8	6	G1/8	6	.236	25,5	1.004	14	14	19,5	.688	-40 ÷ 302	363	0
02020042	02020042	MC12 08 14	8	6	G1/4	8	.315	28	1.102	14	17	25,2	.889	-40 ÷ 302	363	0
02020043	02020043	MC12 08 38	8	6	G3/8	9	.354	29	1.142	14	19	30,1	1.062	-40 ÷ 302	363	0
02020051	02020051	MC12 10 18	10	8	G1/8	6	.236	27,5	1.083	16	14	22,9	.808	-40 ÷ 302	363	0
02020052	02020052	MC12 10 14	10	8	G1/4	8	.315	29,5	1.161	16	17	29,4	1.037	-40 ÷ 302	363	0
02020053	02020053	MC12 10 38	10	8	G3/8	9	.354	30,5	1.201	16	19	32,6	1.150	-40 ÷ 302	363	0
02020054	02020054	MC12 10 12	10	8	G1/2	10	.394	32	1.260	16	24	45,1	1.591	-40 ÷ 302	363	0
02020063	02020063	MC12 12 38	12	10	G3/8	9	.354	32	1.260	18	19	38,1	1.344	-40 ÷ 302	363	0
02020064	02020064	MC12 12 12	12	10	G1/2	10	.394	33,5	1.319	18	24	53,2	1.877	-40 ÷ 302	363	0
02020084	02020084	MC12 15 12	15	12,5	G1/2	10	.394	33,5	1.319	22	24	60,9	2.148	-40 ÷ 302	363	0
02029021	02029021	MC12 05 18	5	3	G1/8	6	.236	23	.906	8	14	10,6	.374	-40 ÷ 302	363	0