

CK4,0-ED-4,00BU AG - Crimp contact



1663297

<https://www.phoenixcontact.com/gb/products/1663297>

Please be informed that the data shown in this PDF document is generated from our online catalog. Please find the complete data in the user documentation. Our general terms of use for downloads are valid.



Crimp contact, contact diameter: 4 mm, turned, Socket, contact material: Copper alloy, contact surface: silver-plated, connection cross section: 4 mm² ... 4 mm², AWG 12

CK4,0-ED-4,00BU AG - Crimp contact



1663297

<https://www.phoenixcontact.com/gb/products/1663297>

Technical data

Notes

General	for HC-M-02, HC-M-03, HC-M-03/04, HC-M-04, HC-Q02, HC-Q03, HC-Q04, and HC-COM-Q4/2 contact carriers
---------	---

Mounting

Assembly note	The quality of a crimp connection is determined by DIN EN 60352-2.
---------------	--

Product properties

Product type	Crimp contact
Series	HC-M-03
	HC-M-03/04
	HC-M-04
	HC-K
	HC-M-02
	HC-HS
	HC-COM
Type	Individual female contact
Contact material type	turned

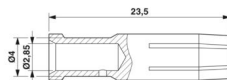
Connection data

Connection method	Crimp connection
Contact connection type	Socket
Connection technology	Crimp connection
Conductor cross section	4 mm ² ... 4 mm ²
Connection cross section AWG	12
Stripping length of the individual wire	10 mm
Conductor cross section flexible	4 mm ² ... 4 mm ²

Material specifications

Contact material	Copper alloy
Contact surface material	silver-plated

Dimensions

Dimensional drawing	
Width	4 mm
Height	4 mm
Depth	23.5 mm

Mechanical characteristics

CK4,0-ED-4,00BU AG - Crimp contact



1663297

<https://www.phoenixcontact.com/gb/products/1663297>

Contact diameter	4 mm
------------------	------

Mechanical properties

Mechanical data

Insertion/withdrawal cycles	≥ 500
-----------------------------	-------

Environmental and real-life conditions

Ambient conditions

Ambient temperature (operation)	-40 °C ... 125 °C
---------------------------------	-------------------

CK4,0-ED-4,00BU AG - Crimp contact

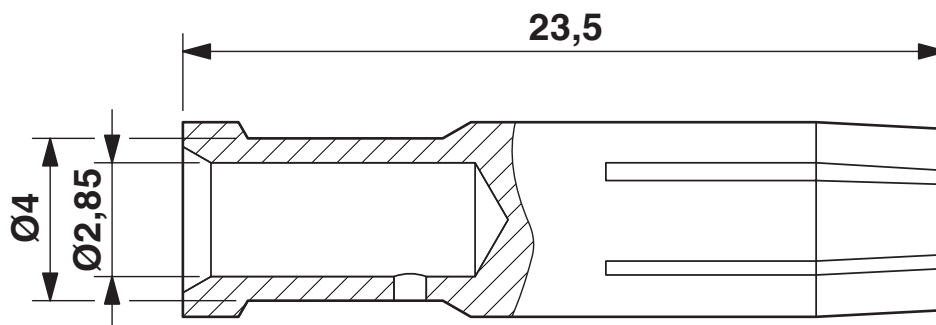


1663297

<https://www.phoenixcontact.com/gb/products/1663297>

Drawings

Dimensional drawing



Dimensional drawing

CK4,0-ED-4,00BU AG - Crimp contact



1663297

<https://www.phoenixcontact.com/gb/products/1663297>

Approvals

🔗 To download certificates, visit the product detail page: <https://www.phoenixcontact.com/gb/products/1663297>



EAC

Approval ID: RU C-DE.AI30.B.01102



EAC

Approval ID: EAC-Zulassung

CK4,0-ED-4,00BU AG - Crimp contact



1663297

<https://www.phoenixcontact.com/gb/products/1663297>

Classifications

ECLASS

ECLASS-11.0	27440204
ECLASS-12.0	27440204
ECLASS-13.0	27440204

ETIM

ETIM 9.0	EC000796
----------	----------

UNSPSC

UNSPSC 21.0	39121500
-------------	----------

CK4,0-ED-4,00BU AG - Crimp contact



1663297

<https://www.phoenixcontact.com/gb/products/1663297>

Environmental product compliance

EU RoHS

Fulfills EU RoHS substance requirements	Yes, No exemptions
---	--------------------

China RoHS

Environment friendly use period (EFUP)	EFUP-E
	No hazardous substances above the limits

EU REACH SVHC

REACH candidate substance (CAS No.)	No substance above 0.1 wt%
-------------------------------------	----------------------------

EF3.0 Climate Change

CO2e kg	0.03 kg CO2e
---------	--------------

Phoenix Contact 2025 © - all rights reserved
<https://www.phoenixcontact.com>

PHOENIX CONTACT Ltd
Halesfield 13, Telford
Shropshire, TF7 4PG
01952 681700
info@phoenixcontact.co.uk