



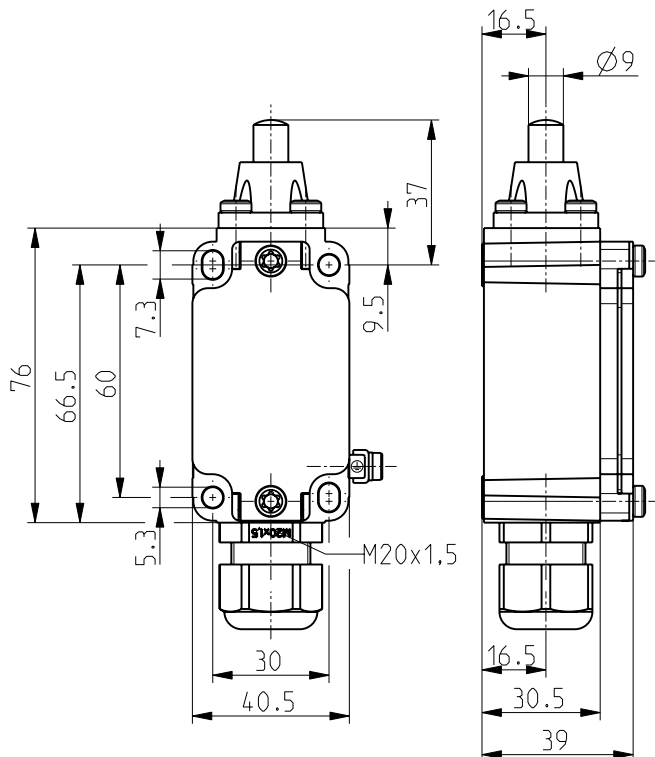
Ex position switch // Ex 335

Features/Options

- Ex zone 1 and 21
- Metal enclosure
- Design according to EN 50041
- Available with contact overlapping
- Wiring compartment

- Actuator can be repositioned by 4 x 90°
- Rocking lever can be repositioned by 10° steps
- With gold-plated contacts available on request
- Special version only for dust Ex zone 22 available
- N.B.: Please state required approvals for Russia, China, Brazil and North America with your order!

Dimensions



Technical data

Standards

EN 60947-5-1; EN 1088;
EN 60079-0, EN 60079-1,
EN 60079-7, EN 60079-31
DIN EN 50 041

Design

Enclosure

zinc die casting, enamelled

Switch insert

Ex 95

Degree of protection

IP 67 to IEC/EN 60529

Contact material

silver

Switching system

slow action, positive break

Switching elements

NC contact ⊖
change-over contact with double
break Zb or 2 NC contacts,
galvanically separated contact
bridges

Connection

M3 screw clamps

Cable section

max. 1.5 mm²
(incl. conductor ferrules)

U_{imp}

4 kV

U_i

250 V

I_{the}

6 A

I_e/U_e

6 A/250 VAC; 0.25 A/230 VDC

Utilisation category

AC-15, DC-13

Max. fuse rating

6 A gG/gN-fuse

Ambient temperature

-20°C ... +60°C

Mechanical life

> 1 million operations

Switching frequency

1800/h

Repeat accuracy

±0.1 mm

Contact gap

max. 2 x 3.5 mm

Ex marking

⊕ II 2G Ex de IIC T6/T5 Gb,

⊕ II 2D Ex tb IIIC

T80°C/T95°C Db IP65

IECEX Ex de IIC T6/T5 Gb,

Ex tb IIIC T80°C/T95°C Db IP65

Approvals

DMT 01 ATEX E 178

IECEX BVS 07.0014 X



Errors and omissions excepted.



Ex position switch // Ex 335

Ordering details

Plunger S	Type	Order no.
* with safety function		93001301 93501301 93201301



Roller plunger R	Type	Order no.
* with safety function		93009301 93509301 93209301



Roller lever 1K	Type	Order no.
* with safety function		93013301 93513301 93213301





Ex position switch // Ex 335

Ordering details

Angled roller lever 3K

Type

Order no.

* with safety function

93019301
93519301
93219301



Rocking lever 4VH

Type

Order no.

* with safety function

93021301
93521301
93221301



Long rocking lever 4V3H

Type

Order no.

* with safety function

93023301
93523301
93223301





Ex position switch // Ex 335

Ordering details

Adjustable rocking lever 4V7H-2138

Type

Order no.

* with safety function

93029302
93529302
on request



Adjustable rocking lever 4V7H

Type

Order no.

Ex 335 4V7H 1Ö/1S
Ex 335 4V7H 2Ö
Ex 335 4V7H 1S/1Ö UE

93029301
93529301
93229301



Forked lever latching 3V4D

Type

Order no.

Ex 335 3V4D 1Ö/1S
Ex 335 3V4D 2Ö
Ex 335 3V4D 1S/1Ö UE

93067301
93567301
93267301





Ex position switch // Ex 335

Ordering details

Rod lever 4V10H



Type

Ex 335 4V10H 1Ö/1S
Ex 335 4V10H 2Ö
Ex 335 4V10H 1S/1Ö UE

Order no.

93025301
93525301
93225301

Spring rod with plastic tip TK



Type

Ex 335 TK 1Ö/1S
Ex 335 TK 2Ö

Order no.

93036301
93536301