

Terminal screens

Use

Top or bottom protection from direct contact with terminals or connection parts.

For 3/4 poles SIRCO and SIRCO AC

Rating (A) / Frame size		No. of poles	Position	Reference
SIRCO	SIRCO AC			
125 ... 160 / B3		3 P	top or bottom	2698 3012
125 ... 160 / B3		4 P	top or bottom	2698 4012
200 ... 250 / B4	200 ... 315 / B4	3 P	top or bottom	2698 3020
200 ... 250 / B4	200 ... 315 / B4	4 P	top or bottom	2698 4020
315 ... 630 / B5	400 ... CD 630 / B5	3 P	top or bottom	2698 3050
315 ... 630 / B5	400 ... CD 630 / B5	4 P	top or bottom	2698 4050
800 ... CD 1250 / B6	630 ... CD 1250 / B6	3 P	top or bottom	2698 3080
800 ... CD 1250 / B6	630 ... CD 1250 / B6	4 P	top or bottom	2698 4080
1250 ... 1800 / B7	1250 ... 1600 / B7	3 P	top or bottom	2698 3120
1250 ... 1800 / B7	1250 ... 1600 / B7	4 P	top or bottom	2698 4120
2000 ... 3200 / B8	2000 / B8	3 P	top or bottom	2698 3200
2000 ... 3200 / B8	2000 / B8	4 P	top or bottom	2698 4200
4000 ... 5000 / B9	4000 / B9	3/4 P	top or bottom	1509 4200



aces_079.eps

For 6/8-pole SIRCO

Rating (A) / Frame size	No. of poles	Position	Reference
125 ... 160 / B3 _{DS}	6 P	Top or bottom	1509 3012
125 ... 160 / B3 _{DS}	8 P	Top or bottom	1509 4012
250 / B4 _{DS}	6 P	Top or bottom	1509 3025
250 / B4 _{DS}	8 P	Top or bottom	1509 4025
400 ... 630 / B5 _{DS}	6 P	Top or bottom	1509 3063
400 ... 630 / B5 _{DS}	8 P	Top or bottom	1509 4063
800 ... 1250 / B6 _{DS} -B7 _{DS}	6 P	Top or bottom	1509 3080
800 ... 1250 / B6 _{DS} -B7 _{DS}	8 P	Top or bottom	1509 4080
1600 / B7 _{DS}	6 P	Top or bottom	1509 3160
1600 / B7 _{DS}	8 P	Top or bottom	1509 4160

Cage terminals

Use

They enable a direct terminal-free connection to rigid copper and aluminium conductors with integration under the IP2X protective cover.

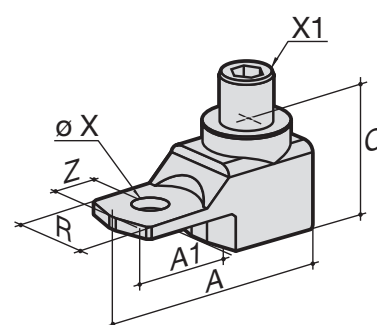
Material: tin-plated aluminium

Dimensions

Rating (A) / Frame size	A	A1	C	R	ØX	X1	Z
125 ... 160 / B3	47.5	22.5	25	20	8.5	M12	10
200 ... 250 / B4	62	31.5	31.5	25	10.5	M16	14
315 ... 400 / B5	71.5	32	38	32	10.5	M20	15
500 ... 630 / B5	76.5	37	38	40	12.5	M20	15

References

Rating (A) / Frame size	Tightening capacity (mm ²)	No. of poles	Tightening torque (Nm)	Flexible bar width (mm)	Reference
125 ... 160 / B3	16 ... 95	3 P	14	13	5400 3016
125 ... 160 / B3	16 ... 95	4 P	14	13	5400 4016
200 ... 250 / B4	16 ... 185	3 P	25	18	5400 3025
200 ... 250 / B4	16 ... 185	4 P	25	18	5400 4025
315 ... 400 / B5	50 ... 240	3 P	45	20	5400 3040
315 ... 400 / B5	50 ... 240	4 P	45	20	5400 4040
500 ... 630 / B5	70 ... 300	3 P	45	24	5400 3063
500 ... 630 / B5	70 ... 300	4 P	45	24	5400 4063



born_019_a_1_x_cat