



Ex magnetic sensor Ex RC 2580 1W-B-Niro-5m

Article no.: 1190153 (old article no.: 22533502)

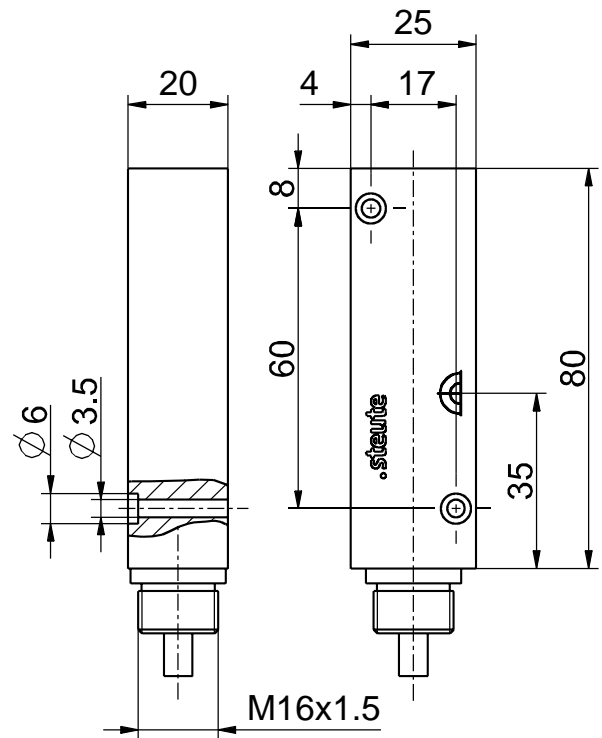
Product features

- Ex zone 1 and 21
- Stainless steel enclosure
- Actuation from side
- With pre-wired cable
- With mounting thread M16 x 1.5 for cable protection system
- Attention: Please state required international approvals with your order!

Notes

- The Ex RC 2580 B (with mounting thread) has "double reinforced insulation". These devices do not require earthing.
- The actuator is not included in the delivery of the switches

Dimensions



Technical data

Applied standards

EN IEC 60947-5-2, EN IEC 60079-0, EN 60079-18

Enclosure

stainless steel 1.4571

Degree of protection

IP67 (EN 60079-0 + IEC/EN 60529)

IP68, IP69 (IEC/EN 60529)

IP69K (ISO 20653)

Switching system

reed contacts

Switching elements

1 change-over contact

Connection

pre-wired cable H05VV-F

Cable cross-section

3 x 0.75 mm²

Cable length

5 m

Switching voltage

max. 250 VAC

Switching current

max. 0.5 A

Short-circuit current I_k

max. 2 A

Switching capacity

max. 30 W/VA

Ambient temperature

-20 °C ... +70 °C

Mechanical life

> 1 million operations

Vibration resistance

35 g (10-1000 Hz)

Shock resistance

50 g (11 ms, ½ sin)

Impact energy

max. 7 J

Errors and omissions excepted.



Ex magnetic sensor Ex RC 2580 1W-B-Niro-5m Article no.: 1190153 (old article no.: 22533502)

Technical data (contd.)

Ex marking

⊕ II 2G Ex mb IIC T6 Gb,
⊕ II 2D Ex mb IIIC T80 °C Db
IECEX Ex mb IIC T6 Gb
Ex mb IIIC T80 °C Db

Weight

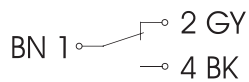
640 g

Approvals

DMT 01 ATEX E 058 X
IECEX BVS 07.0007 X



Contact diagram



Axial misalignment

