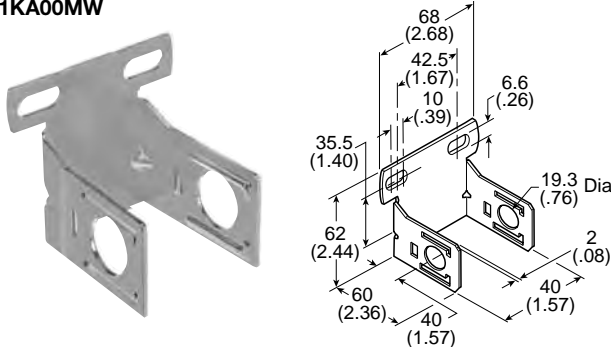
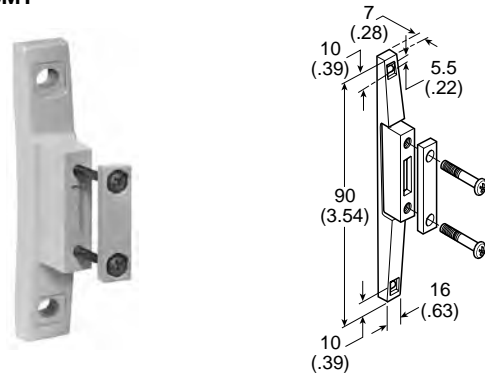


**Accessories - P31 Series**

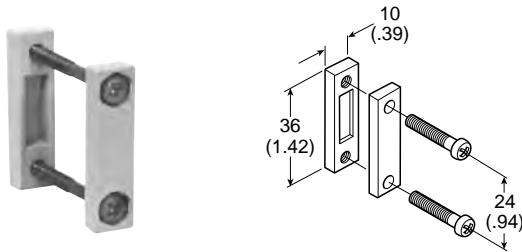
**C-Bracket**  
 (Fits to filter and lubricator body)  
**P31KA00MW**



**T-Bracket w/ Body Connector**  
 (O-ring not shown)  
**P31KA00MT**



**Body Connector**  
 (O-ring not shown)  
**P31KA00CB**



**Port Block Kit**  
 (O-ring not shown)

- |                |                  |                |                  |
|----------------|------------------|----------------|------------------|
| 1/8 NPT .....  | <b>P31KA91CP</b> | 1/8 BSPT ..... | <b>P31KA21CP</b> |
| 1/4 NPT .....  | <b>P31KA92CP</b> | 1/4 BSPT ..... | <b>P31KA22CP</b> |
| 3/8 NPT .....  | <b>P31KA93CP</b> | 3/8 BSPT ..... | <b>P31KA23CP</b> |
| 1/8 BSPP ..... | <b>P31KA11CP</b> |                |                  |
| 1/4 BSPP ..... | <b>P31KA12CP</b> |                |                  |
| 3/8 BSPP ..... | <b>P31KA13CP</b> |                |                  |

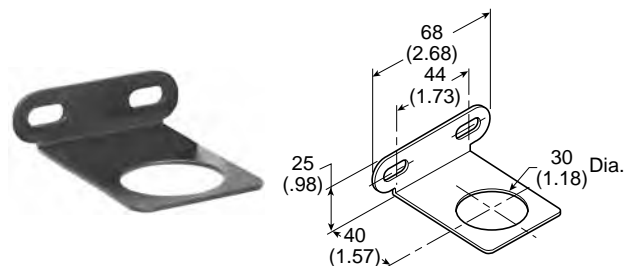


**Port Block Kit w/ T-Bracket**  
 (O-ring not shown)

- |                |                  |                |                  |
|----------------|------------------|----------------|------------------|
| 1/8 NPT .....  | <b>P31KA91CN</b> | 1/8 BSPT ..... | <b>P31KA21CN</b> |
| 1/4 NPT .....  | <b>P31KA92CN</b> | 1/4 BSPT ..... | <b>P31KA22CN</b> |
| 3/8 NPT .....  | <b>P31KA93CN</b> | 3/8 BSPT ..... | <b>P31KA23CN</b> |
| 1/8 BSPP ..... | <b>P31KA11CN</b> |                |                  |
| 1/4 BSPP ..... | <b>P31KA12CN</b> |                |                  |
| 3/8 BSPP ..... | <b>P31KA13CN</b> |                |                  |



**Angle Bracket**  
 (Fits to regulator and filter/regulator body)  
**P31KA00MR**



B	Introduction
Compos	Filters
Coalescers	Regulators
Regulators	Filter / Regulators
Lubricators	Accessories