

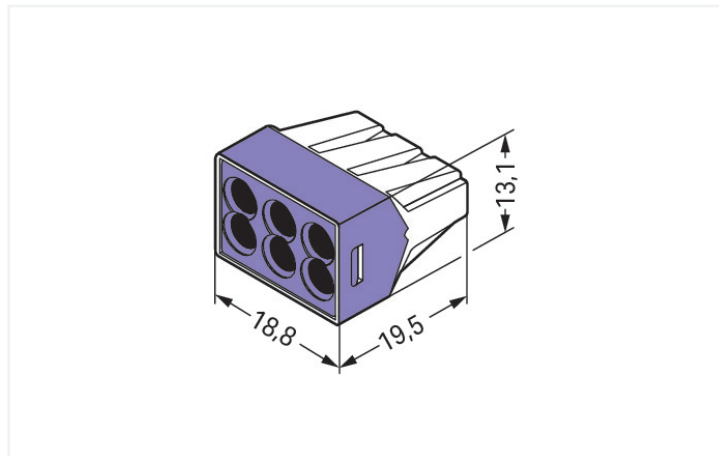
## Data Sheet | Item Number: 773-106

PUSH WIRE® connector for junction boxes; for solid and stranded conductors; max. 2.5 mm<sup>2</sup>; 6-conductor; transparent housing; violet cover; Surrounding air temperature: max 60°C; 2,50 mm<sup>2</sup>; transparent

<https://www.wago.com/773-106>



Color:  transparent



Dimensions in mm

Push wire® splicing connector, 773 Series, Push-in

Push wire® splicing connector (item number 773-106) simplifies electrical installations. The 773 Series PUSH WIRE® connectors for junction boxes provide safe, quick, and easy installations in any building, regardless of the complexity. Rated current and voltage are important parameters when selecting a splicing connector, as they indicate possible applications and uses. This product has a rated voltage of 400 V and a rated current of 24 A, making it suitable for high-load applications. Strip lengths must be 12 mm when connecting conductors to push wire® splicing connector. This product features conductor terminals and utilizes PUSH WIRE®. Our PUSH WIRE® connection offers a quick and simple method for connecting solid conductors. The item's dimensions are 18.8 x 13.1 x 19.5 mm (width x height x depth). Depending on the conductor type, push wire® splicing connector is suitable for conductor cross sections ranging from 0.75 mm<sup>2</sup> to 2.5 mm<sup>2</sup>. The contact surface is coated with tin.

### Notes

General safety instructions

**NOTICE: Observe installation and safety instructions!**

- **Only to be used by electricians!**
- Do not work under voltage/load!
- Use only for proper use!
- Observe national regulations/standards/guidelines!
- Observe technical specifications for the products!
- Observe the number of permissible potentials!
- Do not use damaged/dirty components!
- Observe conductor types, cross-sections and strip lengths!
- Insert conductor until it hits the product's backstop!
- Use original accessories!

**To be sold only with installation instructions!**

Safety Information

in grounded power lines

### Electrical data

Ratings per	IEC/EN 60664-1		
Overvoltage category	III	III	II
Pollution degree	3	2	2
Nominal voltage	-	-	400 V
Rated surge voltage	-	-	4 kV
Rated current	-	-	24 A

## Connection data

Clamping units	6
Total number of potentials	1

### Connection 1

Connection technology	PUSH WIRE®
Actuation type	Push-in
Connectable conductor materials	Copper Aluminum

Connectable conductor materials (note) **Terminating Aluminum Conductors (not for use in North America)** WAGO Spring-Clamp Terminal Blocks are also suitable for solid aluminum conductors up to 4 mm<sup>2</sup>/12 AWG if WAGO "Alu-Plus" Contact Paste [249-130](#) is used for termination.

"Alu-Plus" Contact Paste Advantages:

- Automatically destroys the oxide film during clamping.
- Prevents fresh oxidation at the clamping point.
- Prevents electrolytic corrosion between aluminum and copper conductors (in the same terminal block).
- Provides long-term protection against corrosion.

For spring pressure connections with PUSH WIRE® connection technology, **WAGO recommends that the aluminum conductor first be cleaned** and then immediately inserted into the clamping unit filled with "Alu-Plus" contact paste.

It is also possible to apply WAGO "Alu-Plus" **additionally** on the whole surface of the aluminum conductor before termination.

Please note that the nominal currents must be adapted to the reduced conductivity of the aluminum conductors::

2.5 mm<sup>2</sup> = 16 A  
4 mm<sup>2</sup> = 22 A

Solid conductor	0.75 ... 2.5 mm <sup>2</sup> / 18 ... 12 AWG
Stranded conductor	1.5 ... 2.5 mm <sup>2</sup> / 16 ... 12 AWG
Note (conductor cross-section)	When using conductors of the same diameter, 0.75 mm <sup>2</sup> /18 AWG cross-section is also possible.
Strip length	12 mm / 0.47 inches
Wiring direction	Side-entry wiring

## Physical data

Width	18.8 mm / 0.74 inches
Height	13.1 mm / 0.516 inches
Depth	19.5 mm / 0.768 inches

### Material data

Note (material data)

[Information on material specifications can be found here](#)

Color	transparent
Cover color	violet
Material group	IIIa
Insulation material (main housing)	Polycarbonate (PC)
Flammability class per UL94	V2
Clamping spring material	Chrome-nickel spring steel (CrNi)
Contact material	Electrolytic copper (E <sub>Cu</sub> )
Contact Plating	Tin
Fire load	0.076 MJ
Weight	3.5 g

### Environmental requirements

Ambient temperature (operation)	+60 °C
Continuous operating temperature	105 °C

### Product classification

UNSPSC	39121409
eCl@ss 10.0	27-14-11-04
eCl@ss 9.0	27-14-11-04
ETIM 9.0	EC000446
ETIM 8.0	EC000446
ECCN	NO US CLASSIFICATION

### Environmental Product Compliance

RoHS Compliance Status	Compliant, No Exemption
------------------------	-------------------------