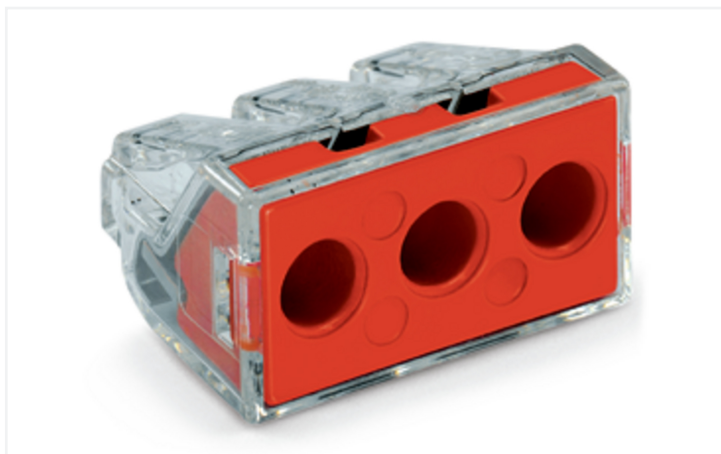


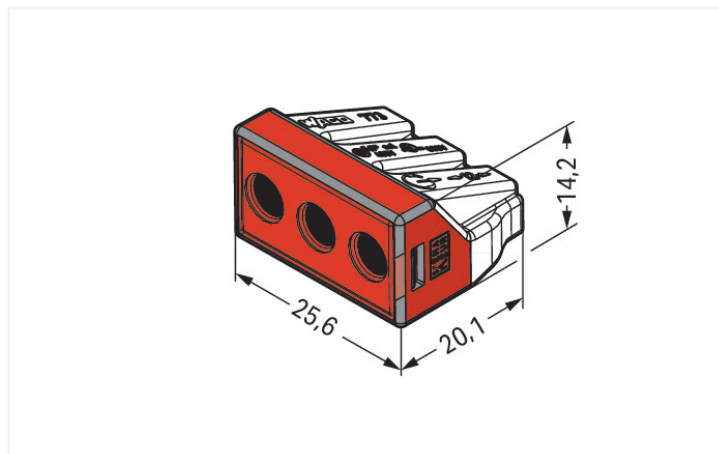
## Data Sheet | Item Number: 773-173

PUSH WIRE® connector for junction boxes; for solid and stranded conductors; max. 6 mm<sup>2</sup>; 3-conductor; transparent housing; red cover; Surrounding air temperature: max 60°C; 6,00 mm<sup>2</sup>; transparent

<https://www.wago.com/773-173>



Color:  transparent



Dimensions in mm

Push wire® splicing connector, 773 Series, transparent

Error-free electrical installations are guaranteed with push wire® splicing connector (item number 773-173). Quickly and securely connect conductors in any building installation with WAGO's 773 Series PUSH WIRE® connectors, designed for both surface and flush-mounted junction boxes. Whether you intend to use them in private or commercial applications, this series of PUSH WIRE® connectors for junction boxes ensures simple and time-saving installations. Rated current and voltage are key factors to consider when choosing a splicing connector, as they indicate how the product can be used. This product has a rated voltage of 400 V and a rated current of 41 A, making it suitable for high-load applications. Ensure that the strip lengths are between 12 mm and 13 mm when connecting conductors to push wire® splicing connector. This product features conductor terminals and utilizes PUSH WIRE®. Our PUSH WIRE® connection is the simple and reliable method for connecting solid conductors. The item's dimensions are 25.6 x 14.2 x 20.1 mm (width x height x depth). Push wire® splicing connector is suitable for conductor cross sections ranging from 2.5 mm<sup>2</sup> to 6 mm<sup>2</sup>. Tin is used for coating the contact surfaces.

### Notes

General safety instructions

**NOTICE: Observe installation and safety instructions!**

- **Only to be used by electricians!**
- Do not work under voltage/load!
- Use only for proper use!
- Observe national regulations/standards/guidelines!
- Observe technical specifications for the products!
- Observe the number of permissible potentials!
- Do not use damaged/dirty components!
- Observe conductor types, cross-sections and strip lengths!
- Insert conductor until it hits the product's backstop!
- Use original accessories!

Safety Information

**To be sold only with installation instructions!**

in grounded power lines

### Electrical data

Ratings per	IEC/EN 60664-1		
Overvoltage category	III	III	II
Pollution degree	3	2	2
Nominal voltage	-	-	400 V
Rated surge voltage	-	-	4 kV
Rated current	-	-	41 A

## Connection data

Clamping units	3
Total number of potentials	1

### Connection 1

Connection technology	PUSH WIRE®
Actuation type	Push-in
Connectable conductor materials	Copper Aluminum

Connectable conductor materials (note) **Terminating Aluminum Conductors (not for use in North America)** WAGO Spring-Clamp Terminal Blocks are also suitable for solid aluminum conductors up to 4 mm<sup>2</sup>/12 AWG if WAGO "Alu-Plus" Contact Paste [249-130](#) is used for termination.

"Alu-Plus" Contact Paste Advantages:

- Automatically destroys the oxide film during clamping.
- Prevents fresh oxidation at the clamping point.
- Prevents electrolytic corrosion between aluminum and copper conductors (in the same terminal block).
- Provides long-term protection against corrosion.

For spring pressure connections with PUSH WIRE® connection technology, **WAGO recommends that the aluminum conductor first be cleaned** and then immediately inserted into the clamping unit filled with "Alu-Plus" contact paste.

It is also possible to apply WAGO "Alu-Plus" **additionally** on the whole surface of the aluminum conductor before termination.

Please note that the nominal currents must be adapted to the reduced conductivity of the aluminum conductors:  
2.5 mm<sup>2</sup> = 16 A  
4 mm<sup>2</sup> = 22 A

Solid conductor	2.5 ... 6 mm <sup>2</sup> / 14 ... 10 AWG
Stranded conductor	2.5 ... 6 mm <sup>2</sup> / 14 ... 10 AWG
Strip length	12 ... 13 mm / 0.47 ... 0.51 inches
Wiring direction	Side-entry wiring

## Physical data

Width	25.6 mm / 1.008 inches
Height	14.2 mm / 0.559 inches
Depth	20.1 mm / 0.791 inches

## Material data

Note (material data)	<a href="#">Information on material specifications can be found here</a>
Color	transparent
Cover color	red
Material group	IIIa
Insulation material (main housing)	Polycarbonate (PC)
Flammability class per UL94	V2
Clamping spring material	Chrome-nickel spring steel (CrNi)
Contact material	Electrolytic copper (E <sub>Cu</sub> )
Contact Plating	Tin
Fire load	0.113 MJ
Weight	5.8 g



**Environmental requirements**

Ambient temperature (operation)	+60 °C
Continuous operating temperature	105 °C

**Product classification**

UNSPSC	39121409
eCl@ss 10.0	27-14-11-04
eCl@ss 9.0	27-14-11-04
ETIM 9.0	EC000446
ETIM 8.0	EC000446
ECCN	NO US CLASSIFICATION

**Environmental Product Compliance**

RoHS Compliance Status	Compliant, No Exemption
------------------------	-------------------------