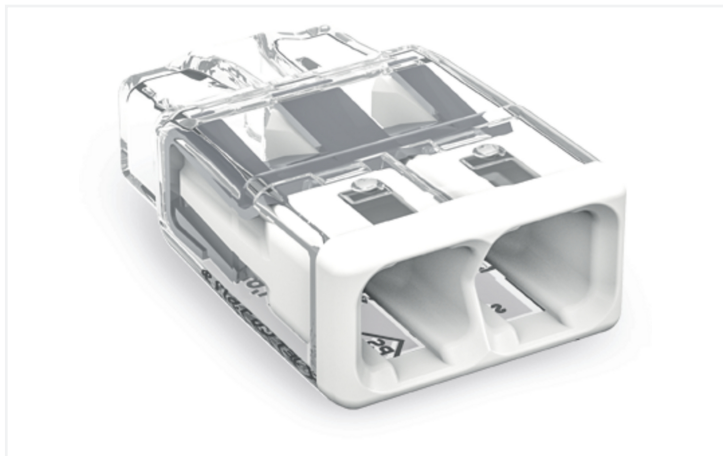


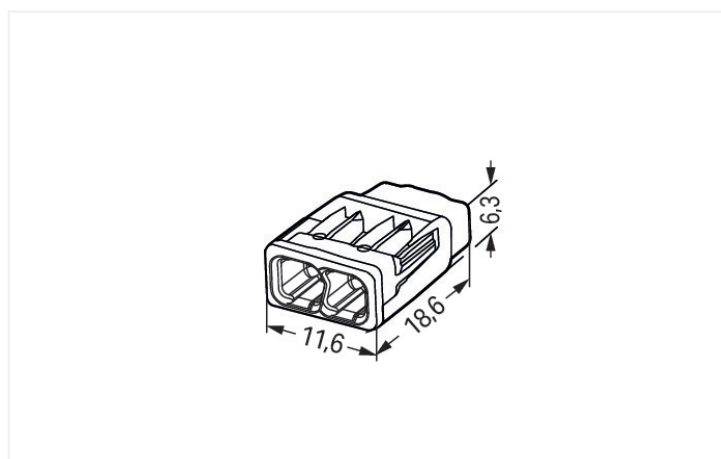
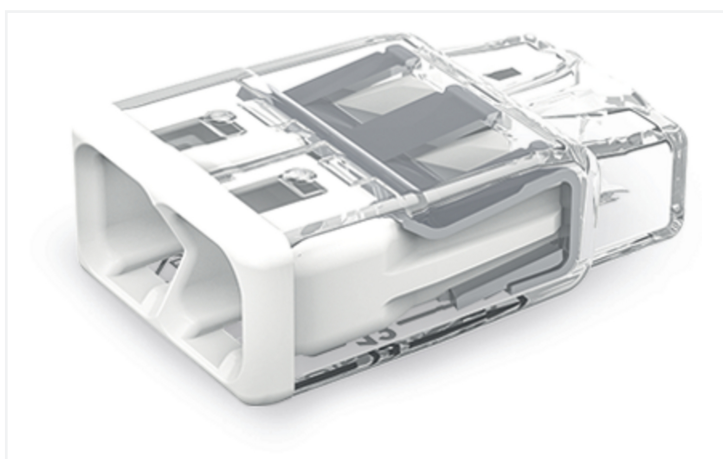
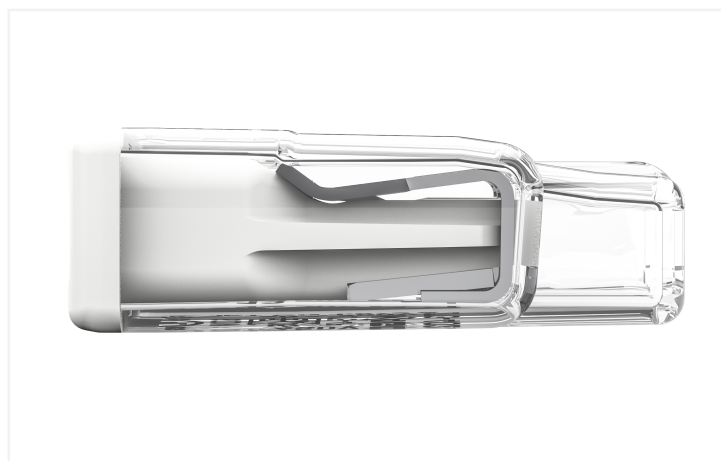
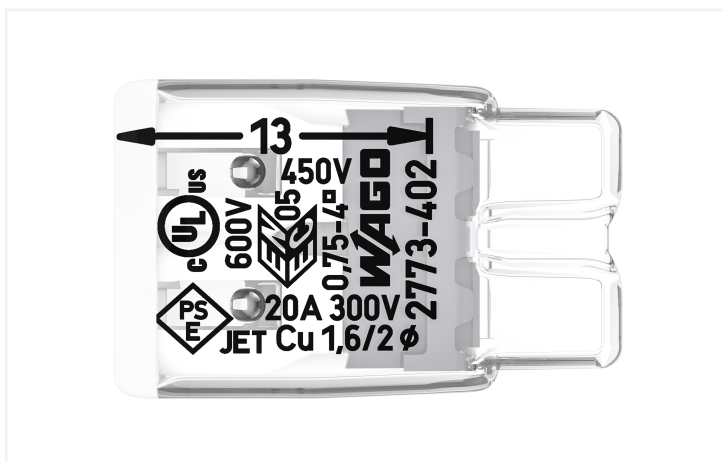
Data Sheet | Item Number: 2773-402

PUSH WIRE® splicing connector; for solid and stranded conductors; max. 4 mm²; 2-conductor; transparent housing; white cover; Surrounding air temperature: max 85°C (T85); 4,00 mm²; transparent

<https://www.wago.com/2773-402>



Color: transparent



Dimensions in mm

Push wire® splicing connector, 2773 Series, Push-in

Our push wire® splicing connector (item number 2773-402) ensures effortless electrical installations. Quickly and securely connect conductors in any building installation with WAGO's 2773 Series PUSH WIRE® connectors, designed for both surface and flush-mounted junction boxes. Whether you intend to use them in private or commercial applications, this series of PUSH WIRE® connectors for junction boxes ensures simple and time-saving installations. Rated current and voltage are key factors to consider when selecting a splicing connector, as they determine the product's suitability for different applications. This product has a rated voltage of 450 V and a rated current of 32 A, making it suitable for high-load applications. Conductors can only be connected to push wire® splicing connector if their strip length is 13 mm. This product features conductor terminals and utilizes PUSH WIRE®. Our trusted PUSH WIRE® connection offers the fastest method for clamping conductors. It utilizes the conductor's stiffness to overcome the clamping spring's contact force. Dimensions: 11.6 x 6.3 x 18.6 mm (width x height x depth). Depending on the conductor type, push wire® splicing connector is ideal for conductor cross sections ranging from 0.75 mm² to 4 mm². The contact surface is coated with tin.

Notes	
General safety instructions	<p>NOTICE: Observe installation and safety instructions!</p> <ul style="list-style-type: none"> • Only to be used by electricians! • Do not work under voltage/load! • Use only for proper use! • Observe national regulations/standards/guidelines! • Observe technical specifications for the products! • Observe the number of permissible potentials! • Do not use damaged/dirty components! • Observe conductor types, cross-sections and strip lengths! • Insert conductor until it hits the product's backstop! • Use original accessories! <p>To be sold only with installation instructions!</p>

Electrical data						
Ratings per	IEC/EN 60998			Approvals per	UL 486C	
Overvoltage category	III	III	II	Use group	B	C D
Pollution degree	3	2	2	Rated voltage	-	600 V -
Nominal voltage	-	-	450 V	Rated current	-	20 A -
Rated surge voltage	-	-	4 kV			
Rated current	-	-	32 A			

Connection data																				
Clamping units	2	<table border="1"> <thead> <tr> <th colspan="2">Connection 1</th> </tr> </thead> <tbody> <tr> <td>Connection technology</td> <td>PUSH WIRE®</td> </tr> <tr> <td>Actuation type</td> <td>Push-in</td> </tr> <tr> <td>Connectable conductor materials</td> <td>Copper</td> </tr> <tr> <td>Solid conductor</td> <td>0.75 ... 4 mm² / 20 ... 12 AWG</td> </tr> <tr> <td>Stranded conductor</td> <td>1.5 ... 4 mm² / 18 ... 12 AWG</td> </tr> <tr> <td>Conductor diameter</td> <td>1.6 ... 2 mm / 20 ... 12 AWG</td> </tr> <tr> <td>Strip length</td> <td>13 mm / 0.51 inches</td> </tr> <tr> <td>Wiring direction</td> <td>Side-entry wiring</td> </tr> </tbody> </table>	Connection 1		Connection technology	PUSH WIRE®	Actuation type	Push-in	Connectable conductor materials	Copper	Solid conductor	0.75 ... 4 mm ² / 20 ... 12 AWG	Stranded conductor	1.5 ... 4 mm ² / 18 ... 12 AWG	Conductor diameter	1.6 ... 2 mm / 20 ... 12 AWG	Strip length	13 mm / 0.51 inches	Wiring direction	Side-entry wiring
Connection 1																				
Connection technology	PUSH WIRE®																			
Actuation type	Push-in																			
Connectable conductor materials	Copper																			
Solid conductor	0.75 ... 4 mm ² / 20 ... 12 AWG																			
Stranded conductor	1.5 ... 4 mm ² / 18 ... 12 AWG																			
Conductor diameter	1.6 ... 2 mm / 20 ... 12 AWG																			
Strip length	13 mm / 0.51 inches																			
Wiring direction	Side-entry wiring																			
Total number of potentials	1																			

Physical data	
Width	11.6 mm / 0.457 inches
Height	6.3 mm / 0.248 inches
Depth	18.6 mm / 0.732 inches

Material data

Note (material data)

[Information on material specifications can be found here](#)

Color	transparent
Cover color	white
Material group	IIIa
Insulation material (main housing)	Polycarbonate (PC)
Flammability class per UL94	V2
Clamping spring material	Chrome-nickel spring steel (CrNi)
Contact material	Electrolytic copper (E _{Cu})
Contact Plating	Tin
Fire load	0.034 MJ
Weight	1.1 g

Environmental requirements

Ambient temperature (operation)	+85 °C
Processing temperature	-35 ... +60 °C
Continuous operating temperature	-40 ... +105 °C
Temperature marking per EN 60998	T85

Product classification

UNSPSC	39121409
ETIM 9.0	EC000446
ETIM 8.0	EC000446
ECCN	NO US CLASSIFICATION

Environmental Product Compliance

RoHS Compliance Status	Compliant, No Exemption
------------------------	-------------------------