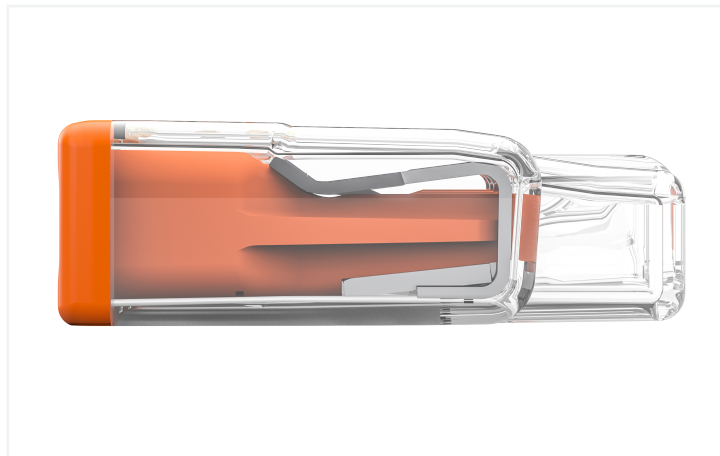
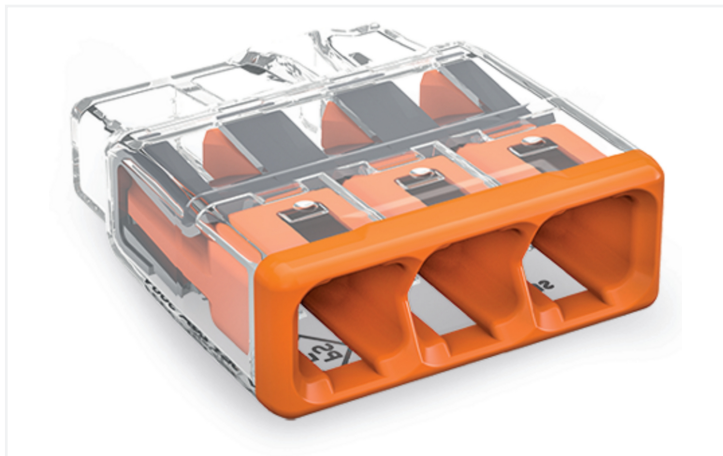


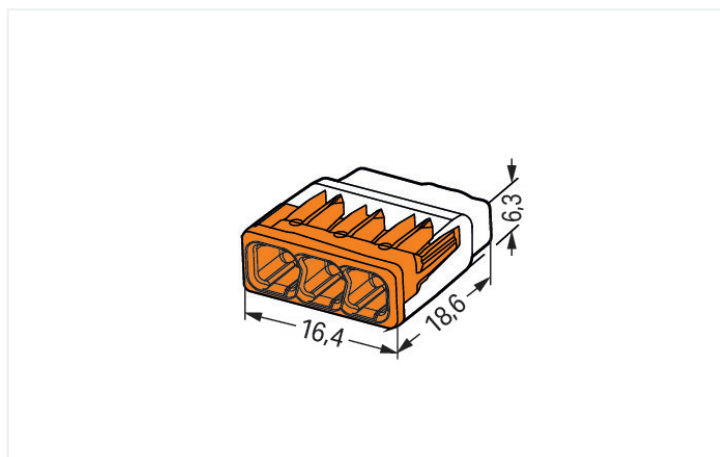
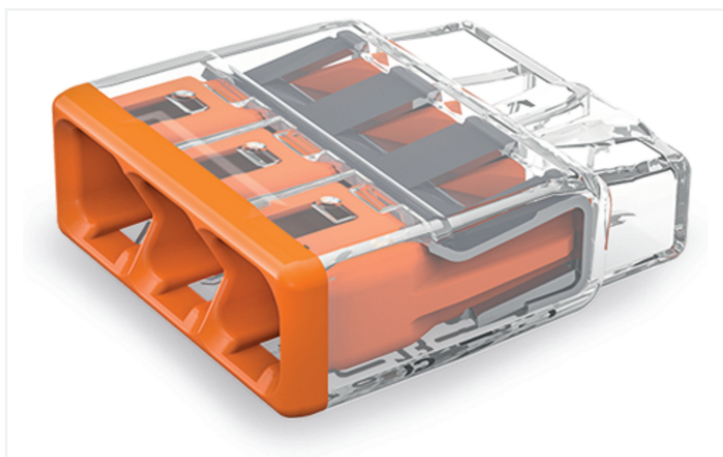
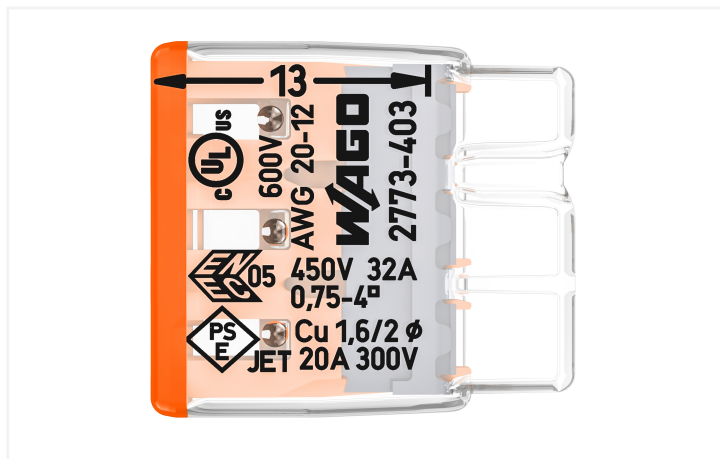
## Data Sheet | Item Number: 2773-403

PUSH WIRE® splicing connector; for solid and stranded conductors; max. 4 mm<sup>2</sup>; 3-conductor; transparent housing; orange cover; Surrounding air temperature: max 85°C (T85); 4,00 mm<sup>2</sup>; transparent

<https://www.wago.com/2773-403>



Color:  transparent



Dimensions in mm

Push wire® splicing connector, 2773 Series, transparent

Our push wire® splicing connector (item number 2773-403) ensures effortless electrical installations. Quickly and securely connect conductors in any building installation with WAGO's 2773 Series PUSH WIRE® connectors, designed for both surface and flush-mounted junction boxes. Whether used in private or commercial applications, this series of PUSH WIRE® connectors for junction boxes ensures simple and time-saving installations. This splicing connector has a rated voltage of 450 V and can handle currents up to 32 A, making it ideal for high-load applications. Conductors can only be connected to push wire® splicing connector if their strip length is 13 mm. This product features conductor terminals and utilizes PUSH WIRE®. Our PUSH WIRE® connection uses the stiffness of the conductor to overcome the clamping spring's contact force, allowing faster and easier conductor clamping. The dimensions are 16.4 x 6.3 x 18.6 mm (width x height x depth). Push wire® splicing connector is suitable for conductor cross sections ranging from 0.75 mm<sup>2</sup> to 4 mm<sup>2</sup>. Tin is used for coating the contact surfaces.

## Notes

General safety instructions

**NOTICE: Observe installation and safety instructions!**

- **Only to be used by electricians!**
- Do not work under voltage/load!
- Use only for proper use!
- Observe national regulations/standards/guidelines!
- Observe technical specifications for the products!
- Observe the number of permissible potentials!
- Do not use damaged/dirty components!
- Observe conductor types, cross-sections and strip lengths!
- Insert conductor until it hits the product's backstop!
- Use original accessories!

**To be sold only with installation instructions!**

## Electrical data

Ratings per	IEC/EN 60998			Approvals per	UL 486C		
Overvoltage category	III	III	II	Use group	B	C	D
Pollution degree	3	2	2	Rated voltage	-	600 V	-
Nominal voltage	-	-	450 V	Rated current	-	20 A	-
Rated surge voltage	-	-	4 kV				
Rated current	-	-	32 A				

## Connection data

Clamping units	3	<b>Connection 1</b>	
Total number of potentials	1	Connection technology	PUSH WIRE®
		Actuation type	Push-in
		Connectable conductor materials	Copper
		Solid conductor	0.75 ... 4 mm <sup>2</sup> / 20 ... 12 AWG
		Stranded conductor	1.5 ... 4 mm <sup>2</sup> / 18 ... 12 AWG
		Conductor diameter	1.6 ... 2 mm / 20 ... 12 AWG
		Strip length	13 mm / 0.51 inches
		Wiring direction	Side-entry wiring

## Physical data

Width	16.4 mm / 0.646 inches
Height	6.3 mm / 0.248 inches
Depth	18.6 mm / 0.732 inches

## Material data

Note (material data)	<a href="#">Information on material specifications can be found here</a>
Color	transparent
Cover color	orange
Material group	IIIa
Insulation material (main housing)	Polycarbonate (PC)
Flammability class per UL94	V2
Clamping spring material	Chrome-nickel spring steel (CrNi)
Contact material	Electrolytic copper (E <sub>Cu</sub> )
Contact Plating	Tin
Fire load	0.026 MJ
Weight	1.6 g

### Environmental requirements

Ambient temperature (operation)	+85 °C
Processing temperature	-35 ... +60 °C
Continuous operating temperature	-40 ... +105 °C
Temperature marking per EN 60998	T85

### Product classification

UNSPSC	39121409
ETIM 9.0	EC000446
ETIM 8.0	EC000446
ECCN	NO US CLASSIFICATION

### Environmental Product Compliance

RoHS Compliance Status	Compliant, No Exemption
------------------------	-------------------------