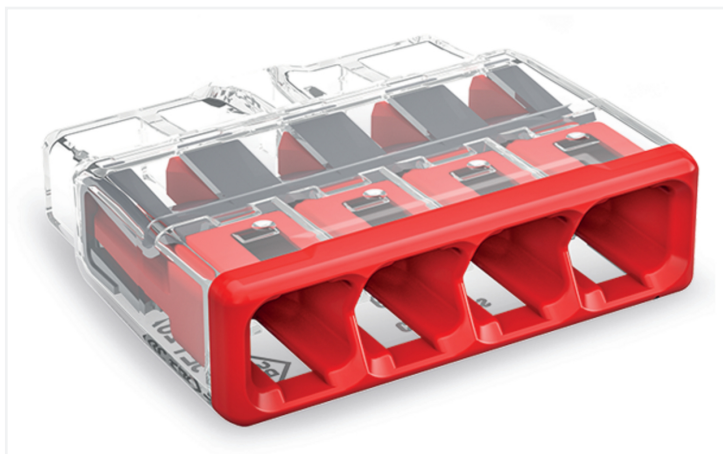


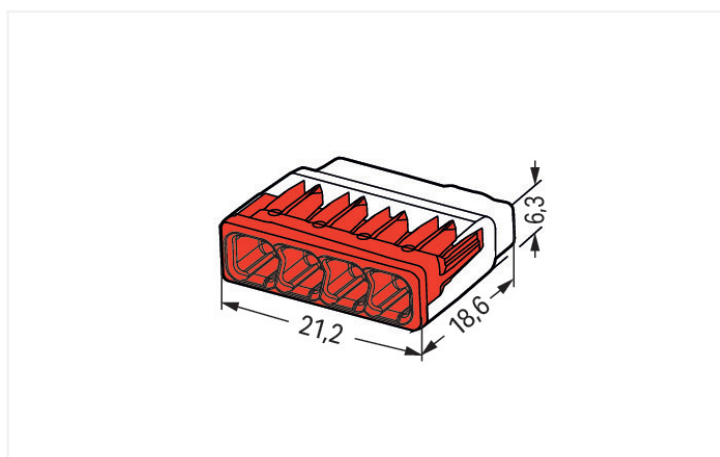
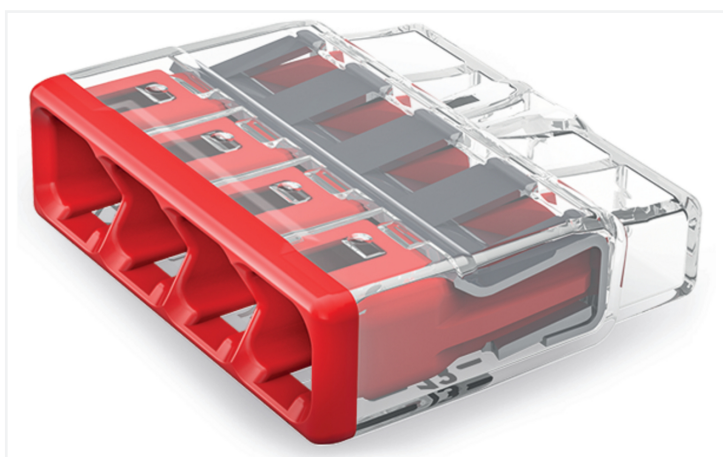
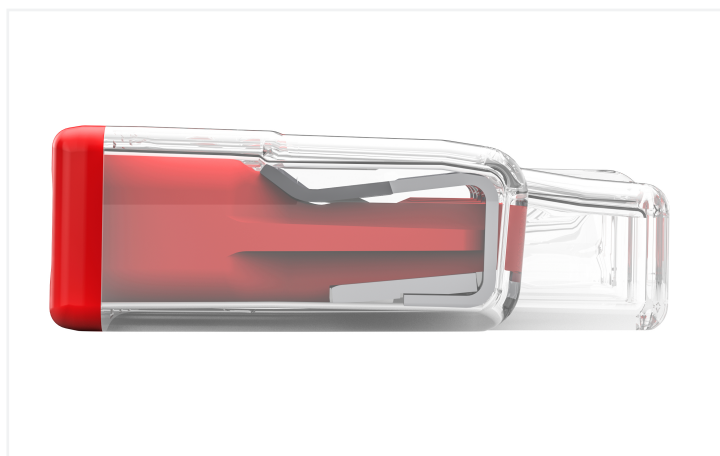
Data Sheet | Item Number: 2773-404

PUSH WIRE® splicing connector; for solid and stranded conductors; max. 4 mm²; 4-conductor; transparent housing; red cover; Surrounding air temperature: max 85°C (T85); 4,00 mm²; transparent

<https://www.wago.com/2773-404>



Color: transparent



Dimensions in mm

Push wire® splicing connector, 2773 Series, PUSH WIRE®

Effortless electrical installations are guaranteed with push wire® splicing connector (item number 2773-404). Quickly and securely connect conductors in any building installation with WAGO's 2773 Series PUSH WIRE® connectors, designed for both surface and flush-mounted junction boxes. Whether used in private or commercial applications, this series of PUSH WIRE® connectors for junction boxes ensures simple and time-saving installations. Rated current and voltage are important parameters when selecting a splicing connector, as they indicate how the product can be used. This product has a rated voltage of 450 V and a rated current of 32 A, making it suitable for high-load applications. Conductors should only be connected to push wire® splicing connector if their strip length is 13 mm. This product features conductor terminals and utilizes PUSH WIRE®. Our reliable PUSH WIRE® connection offers the fastest method for clamping conductors. It utilizes the conductor's stiffness to overcome the clamping spring's contact force. The dimensions are 21.2 x 6.3 x 18.6 mm (width x height x depth). Push wire® splicing connector is suitable for conductor cross sections ranging from 0.75 mm² to 4 mm². The contact surface is coated with tin.

Electrical data

Ratings per	IEC/EN 60998			Approvals per	UL 486C		
	III	III	II		B	C	D
Overvoltage category	III	III	II	Use group	B	C	D
Pollution degree	3	2	2	Rated voltage	-	600 V	-
Nominal voltage	-	-	450 V	Rated current	-	20 A	-
Rated surge voltage	-	-	4 kV				
Rated current	-	-	32 A				

Connection data

Clamping units	4	Connection 1	Connection technology	PUSH WIRE®
Total number of potentials	1		Actuation type	Push-in
		Connectable conductor materials	Copper	
		Solid conductor	0.75 ... 4 mm ² / 20 ... 12 AWG	
		Stranded conductor	1.5 ... 4 mm ² / 18 ... 12 AWG	
		Conductor diameter	1.6 ... 2 mm / 20 ... 12 AWG	
		Strip length	13 mm / 0.51 inches	
		Wiring direction	Side-entry wiring	

Physical data

Width	21.2 mm / 0.835 inches
Height	6.3 mm / 0.248 inches
Depth	18.6 mm / 0.732 inches

Material data

Note (material data)	Information on material specifications can be found here
Color	transparent
Cover color	red
Material group	IIIa
Insulation material (main housing)	Polycarbonate (PC)
Flammability class per UL94	V2
Clamping spring material	Chrome-nickel spring steel (CrNi)
Contact material	Electrolytic copper (E _{Cu})
Contact Plating	Tin
Fire load	0.048 MJ
Weight	2.1 g

Environmental requirements

Ambient temperature (operation)	+85 °C
Processing temperature	-35 ... +60 °C
Continuous operating temperature	-40 ... +105 °C
Temperature marking per EN 60998	T85

Commercial data

PU (SPU)	800 (80) pcs
Packaging type	Box
Country of origin	DE
GTIN	4055143918985
Customs tariff number	85369010000

Environmental Product Compliance

REACH Candidate List Substance	Perfluorobutane sulfonic acid (PFBS) and its salts
RoHS Compliance Status	Compliant, No Exemption
SCIP notification number (Austria)	7afaf847-d50b-4ed7-a8e7-4cc08ec03de7
SCIP notification number (Belgium)	d874ceea-a3d5-4949-9773-1693a2346be0
SCIP notification number (Bulgaria)	91ee294b-5755-485d-833e-ea9bccf9161a
SCIP notification number (Czech Republic)	bc2a1cfd-7e56-491e-9917-d13837be5223
SCIP notification number (Denmark)	2f845ee0-5917-4a74-ba9d-4679a707fb41
SCIP notification number (Finland)	33031dc6-e1e6-4720-94a9-216e7d355f3a
SCIP notification number (France)	09a526dd-1342-4f53-84ae-bdab694bd4fb
SCIP notification number (Germany)	5935b451-ffe1-4a6b-b153-05a59d108178
SCIP notification number (Hungary)	ff10e7fd-d057-4ea4-9c54-473782e4921c
SCIP notification number (Italy)	78d57b5b-cef6-46c4-a54d-33bccca15c83f
SCIP notification number (Netherlands)	42ae8491-6f31-47e9-914a-d4a30a87ec5b
SCIP notification number (Poland)	6b83b362-e0fe-426a-9833-a6da0fb4dda1
SCIP notification number (Romania)	74125526-721c-4352-be51-d74864f8ffa6
SCIP notification number (Sweden)	d24216b2-ead7-4b13-816a-3ae1a8b06643