

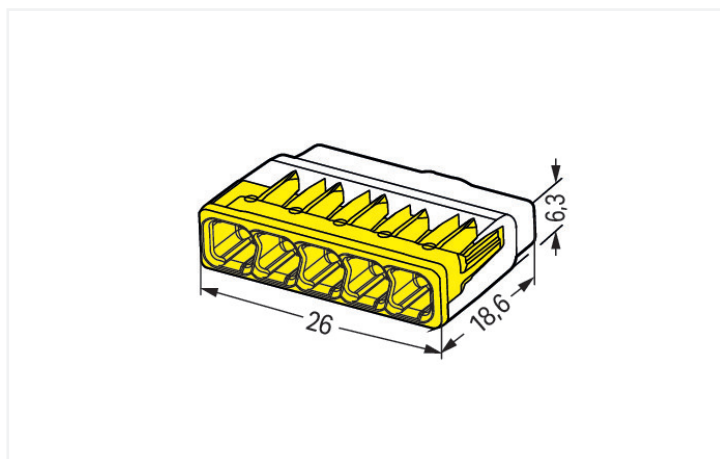
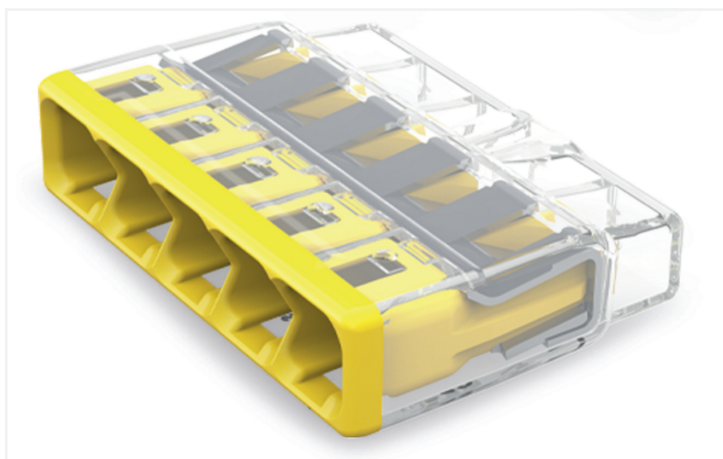
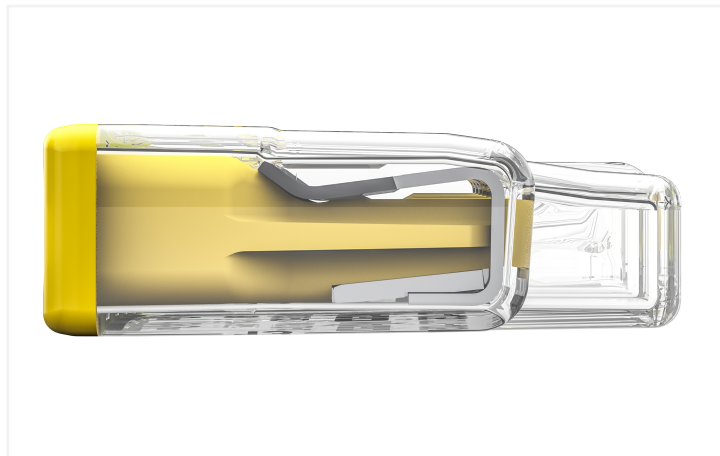
Data Sheet | Item Number: 2773-405

PUSH WIRE® splicing connector; for solid and stranded conductors; max. 4 mm²; 5-conductor; transparent housing; yellow cover; Surrounding air temperature: max 85°C (T85); 4,00 mm²; transparent

<https://www.wago.com/2773-405>



Color: transparent



Dimensions in mm

Push wire® splicing connector, 2773 Series, transparent

Enjoy seamless electrical installations with push wire® splicing connector (item number 2773-405). The 2773 Series PUSH WIRE® connectors for junction boxes provide safe, quick, and easy installations in any building, no matter the position or location. This splicing connector has a rated voltage of 450 V and can handle currents up to 32 A, making it suitable for high-load applications. Ensure that the strip lengths are 13 mm when connecting conductors to push wire® splicing connector. This product features conductor terminals and utilizes PUSH WIRE®. Our PUSH WIRE® connection offers a quick and easy method for connecting solid conductors. The item's dimensions are 26 x 6.3 x 18.6 mm (width x height x depth). Push wire® splicing connector is suitable for conductor cross sections ranging from 0.75 mm² to 4 mm². The contact surface is coated with tin.

Notes

General safety instructions

NOTICE: Observe installation and safety instructions!

- **Only to be used by electricians!**
- Do not work under voltage/load!
- Use only for proper use!
- Observe national regulations/standards/guidelines!
- Observe technical specifications for the products!
- Observe the number of permissible potentials!
- Do not use damaged/dirty components!
- Observe conductor types, cross-sections and strip lengths!
- Insert conductor until it hits the product's backstop!
- Use original accessories!

To be sold only with installation instructions!

Electrical data

Ratings per	IEC/EN 60998			Approvals per	UL 486C		
Overvoltage category	III	III	II	Use group	B	C	D
Pollution degree	3	2	2	Rated voltage	-	600 V	-
Nominal voltage	-	-	450 V	Rated current	-	20 A	-
Rated surge voltage	-	-	4 kV				
Rated current	-	-	32 A				

Connection data

Clamping units	5	Connection 1	
Total number of potentials	1	Connection technology	PUSH WIRE®
		Actuation type	Push-in
		Connectable conductor materials	Copper
		Solid conductor	0.75 ... 4 mm ² / 20 ... 12 AWG
		Stranded conductor	1.5 ... 4 mm ² / 18 ... 12 AWG
		Conductor diameter	1.6 ... 2 mm / 20 ... 12 AWG
		Strip length	13 mm / 0.51 inches
		Wiring direction	Side-entry wiring

Physical data

Width	26 mm / 1.024 inches
Height	6.3 mm / 0.248 inches
Depth	18.6 mm / 0.732 inches

Material data

Note (material data)	Information on material specifications can be found here
Color	transparent
Cover color	yellow
Material group	IIIa
Insulation material (main housing)	Polycarbonate (PC)
Flammability class per UL94	V2
Clamping spring material	Chrome-nickel spring steel (CrNi)
Contact material	Electrolytic copper (E _{Cu})
Contact Plating	Tin
Fire load	0.05 MJ
Weight	2.6 g

Environmental requirements

Ambient temperature (operation)	+85 °C
Processing temperature	-35 ... +60 °C
Continuous operating temperature	-40 ... +105 °C
Temperature marking per EN 60998	T85

Product classification

UNSPSC	39121409
ETIM 9.0	EC000446
ETIM 8.0	EC000446
ECCN	NO US CLASSIFICATION

Environmental Product Compliance

RoHS Compliance Status	Compliant, No Exemption
------------------------	-------------------------