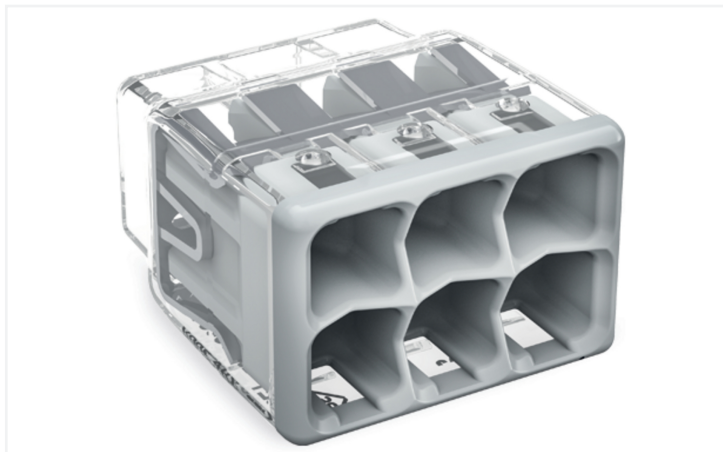


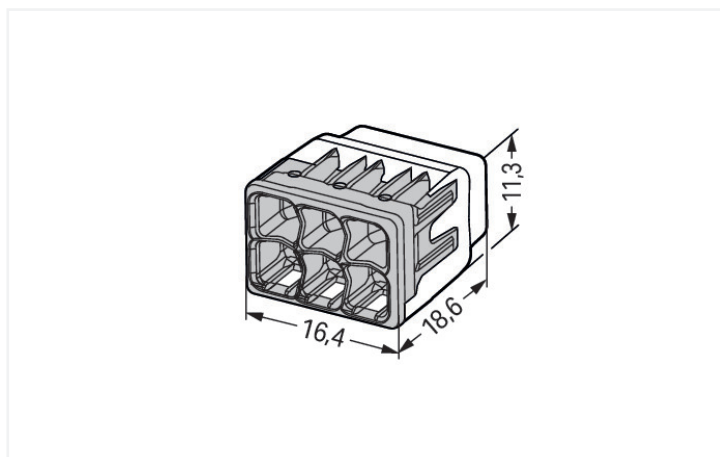
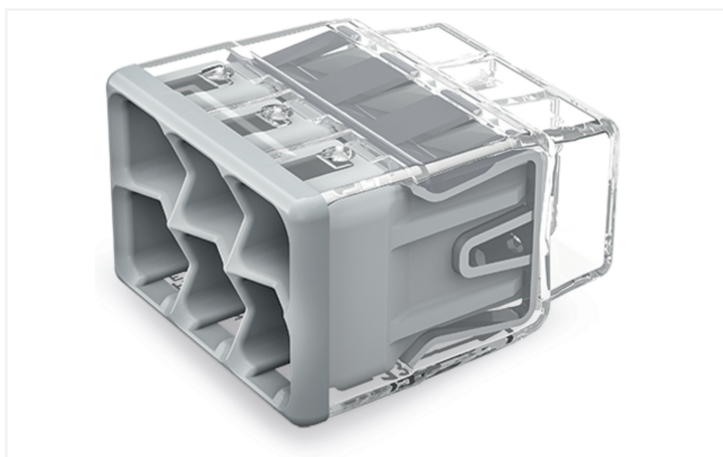
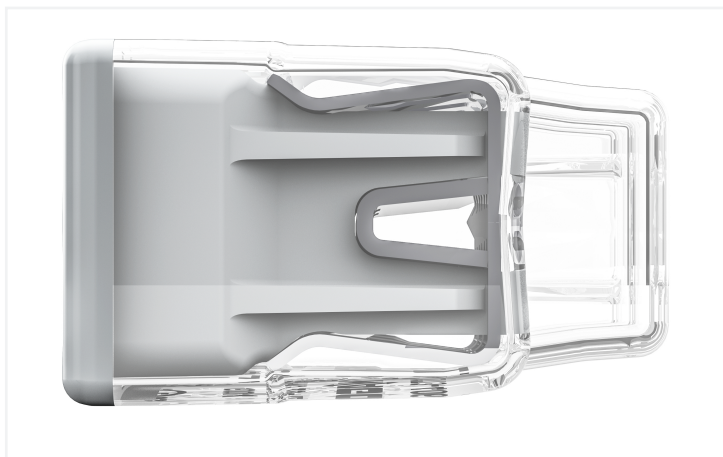
Data Sheet | Item Number: 2773-406

PUSH WIRE® splicing connector; for solid and stranded conductors; max. 4 mm²; 6-conductor; transparent housing; Gray cover; Surrounding air temperature: max 85°C (T85); 4,00 mm²; transparent

<https://www.wago.com/2773-406>



Color: transparent



Dimensions in mm

Push wire® splicing connector, 2773 Series, Push-in

Our push wire® splicing connector (item number 2773-406) is designed for seamless electrical installations. The 2773 Series PUSH WIRE® connectors for junction boxes provide safe, quick, and easy installations in any building, regardless of the complexity. Our splicing connector is rated for 450 V and is designed for use with a rated current of up to 32 A. It can therefore be used in high-load applications. Conductors can only be connected to push wire® splicing connector if their strip length is 13 mm. This product features conductor terminals and utilizes PUSH WIRE®. Our PUSH WIRE® connection uses the stiffness of the conductor to overcome the clamping spring's contact force, allowing faster and easier conductor clamping. The dimensions are 16.4 x 11.3 x 18.6 mm (width x height x depth). Push wire® splicing connector is suitable for conductor cross sections ranging from 0.75 mm² to 4 mm². Tin is used for coating the contact surfaces.

Notes

General safety instructions

NOTICE: Observe installation and safety instructions!

- **Only to be used by electricians!**
- Do not work under voltage/load!
- Use only for proper use!
- Observe national regulations/standards/guidelines!
- Observe technical specifications for the products!
- Observe the number of permissible potentials!
- Do not use damaged/dirty components!
- Observe conductor types, cross-sections and strip lengths!
- Insert conductor until it hits the product's backstop!
- Use original accessories!

To be sold only with installation instructions!

Electrical data

Ratings per	IEC/EN 60998			Approvals per	UL 486C		
Overvoltage category	III	III	II	Use group	B	C	D
Pollution degree	3	2	2	Rated voltage	-	600 V	-
Nominal voltage	-	-	450 V	Rated current	-	20 A	-
Rated surge voltage	-	-	4 kV				
Rated current	-	-	32 A				

Connection data

Clamping units	6	Connection 1
Total number of potentials	1	Connection technology
		PUSH WIRE®
		Actuation type
		Push-in
		Connectable conductor materials
		Copper
		Solid conductor
		0.75 ... 4 mm ² / 20 ... 12 AWG
		Stranded conductor
		1.5 ... 4 mm ² / 18 ... 12 AWG
		Conductor diameter
		1.6 ... 2 mm / 20 ... 12 AWG
		Strip length
		13 mm / 0.51 inches
		Wiring direction
		Side-entry wiring

Physical data

Width	16.4 mm / 0.646 inches
Height	11.3 mm / 0.445 inches
Depth	18.6 mm / 0.732 inches

Material data

Note (material data)	Information on material specifications can be found here
Color	transparent
Cover color	gray
Material group	IIIa
Insulation material (main housing)	Polycarbonate (PC)
Flammability class per UL94	V2
Clamping spring material	Chrome-nickel spring steel (CrNi)
Contact material	Electrolytic copper (E _{Cu})
Contact Plating	Tin
Fire load	0.024 MJ
Weight	2.6 g

Environmental requirements

Ambient temperature (operation)	+85 °C
Processing temperature	-35 ... +60 °C
Continuous operating temperature	-40 ... +105 °C
Temperature marking per EN 60998	T85

Product classification

UNSPSC	39121409
ETIM 9.0	EC000446
ETIM 8.0	EC000446
ECCN	NO US CLASSIFICATION

Environmental Product Compliance

RoHS Compliance Status	Compliant, No Exemption
------------------------	-------------------------