

Plug

PowerTOP Xtra

Part Number: 13512



MENNEKES

Elektrotechnik GmbH & Co. KG
Aloys-Mennekes-Straße 1
57399 KIRCHHUNDEM GERMANY
www.MENNEKES.org

Product Description

- screw connection technology ErgoCONTACT
- ergonomic enclosure design with nubbed grip zones
- rubberised cable gland with sealing
- strain relief and protection against kinking
- thread lock and safety slide
- area for self-adhesive labels

Technical Details

| Plug - PowerTOP Xtra | 13512 |
|------------------------------|--|
| Product series | PowerTOP Xtra |
| Ampere | 32A |
| UL-Ampere | 13512 |
| Number of Poles | 3p |
| Clock position | 4h |
| Voltage | 110V |
| Hertz | 50-60 Hz |
| Current Type | AC |
| Protection Type | IP54 |
| Contact carrier | Standard |
| Pilot contact | Without pilot contact |
| Connection | Screw terminals - ErgoCONTACT |
| Screw drive contact screw | Combination head screw (PZ2 and slotted) |
| Phase inverter plugs | Without phase inverter |
| Conductor cross-section min. | 2,5 mm ² |

| | |
|------------------------------|----------------------------|
| Conductor cross-section max. | 6 mm ² |
| Cable kink protection | Integrated in cable gland |
| Protective grommet | Without protective grommet |
| Protective cap | Without protective cap |
| EAN / Identification number | 4015394304876 |

Permissible ambient conditions

| | |
|---|-----------------|
| Permanent ambient temperature min. - max. | -25 °C - +40 °C |
|---|-----------------|

Material properties

| | |
|------------|---------------------------------------|
| Cover | PA6 similar RAL 7000 squirrel grey |
| Front part | PA6 similar RAL 1021 yellow |

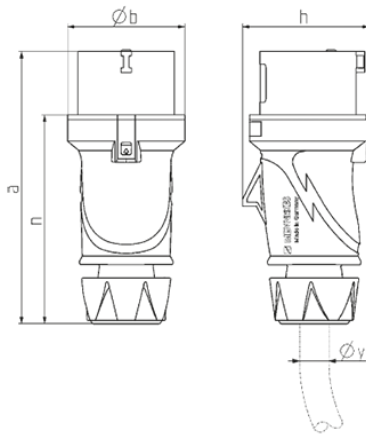
Material resistance

The material resistance overview can be found on the website in the section “Knowledge” → “Product knowledge” → “Materials”

Regulations and Standards

| | |
|-----------------------------------|---------------------|
| RoHS 2011/65/EU incl. 2015/863/EU | ✓ |
| POP Regulation (EU) 2019/1021 | ✓ |
| Norm(s) | IEC 60309-2 |
| Declaration of conformity | CE |
| Certification | VDE, CB Certificate |

Dimensional drawing



| Zeichnung | Amp. Pole | 16 | | | 32 | | |
|---------------------------------|--------------|------|-------|-------|------|------|------|
| | | 3 | 4 | 5 | 3 | 4 | 5 |
| 2 MB 253 | | | | | | | |
| Maße in mm | a | 154 | 163 | 163 | 196 | 196 | 196 |
| | b | 55 | 68 | 68 | 78 | 78 | 78 |
| | h | 58 | 70 | 74 | 81 | 81 | 86 |
| | n | 118 | 126 | 126 | 151 | 151 | 151 |
| y von | | 7 | 8 | 8 | 10,5 | 10,5 | 13,5 |
| bis max. mm | | -13 | -15,5 | -15,5 | -18 | -18 | -20 |
| Klemmen für Leiterquer- | | 1 | 1 | 1 | 2,5 | 2,5 | 2,5 |
| schnitt von bis mm ² | | -2,5 | -2,5 | -2,5 | -6 | -6 | -6 |