

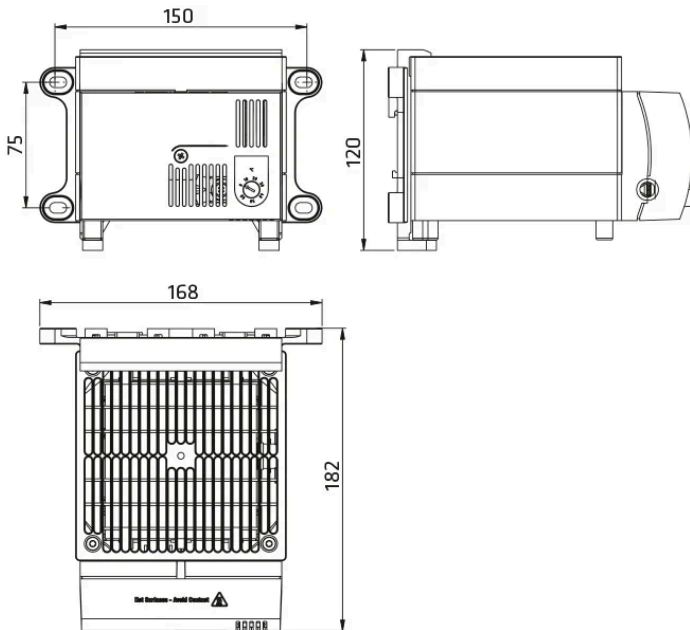
ENCLOSURE HEATER WITH FAN

CS 130



The high-performance fan heater is designed for uniform temperature control of enclosures and enclosures to protect against harmful condensation. Designs with integrated thermostat are available. Heating technology: PTC for dynamic response behaviour. Touch-safe for users thanks to touch-safe plastic casing.

- Versions with integrated thermostat
- Version for screw fixing to the base of the enclosure
- Versions with tamper-proof thermostat
- User protection: Touch-safe sheathing



OVERVIEW TECHNICAL DATA

Device name	Enclosure heater with fan
Device type	Fan heater Integrated control
Series	CS 130
Temperature monitoring	Overheating protection in the event of fan failure with automatic reset
Protection class	II
Protection type	IP20
Heating element	PTC resistor (PTC)

Casing	Plastic to UL94 V-0, black
AC/DC	AC
Frequency	50;60 Hz
Heating capacity minimum	1200 W
Axial fan	160 m³/h
Service life	>50000 h
Switching differential tolerance	
Operating temperature	-45 °C - 70 °C
Operating humidity	≤90 % RH
Storage humidity	≤90 % RH
Storage temperature	-45 °C - 70 °C
Connection type	Connection terminal
Torque	0.8 Nmmax.
Connection	2-pole max. 2.5 mm² with strain relief
Mounting	Clip for 35 mm DIN rail Screw fixing
Installation position	Airflow direction "in" vertical / connection at the bottom
Height	120 mm
Width	168 mm
Depth	182 mm
Weight	1200 g

PRODUCT VARIANTS

Article number	Operating voltage minimum	Operating voltage tolerance	Inrush current maximum	Recommended backup fuse	Setting range	Switching differential	Design	Note
13060.0-00	230 V	208 V - 253 V	13 A	10 A	0 °C - 60 °C	7 K	Fan heater with thermostat	Tolerance ±4 K
13060.0-01	230 V	208 V - 253 V	13 A	10 A			Fan heater without thermostat	
13060.9-00	120 V	108 V - 132 V	16 A	16 A	32 °F - 140 °F	7 K	Fan heater with thermostat	Tolerance ±4 K
13060.9-01	120 V	108 V - 132 V	16 A	16 A			Fan heater without thermostat	