

CK1,6-ER-1,00ST OIC AG - Crimp contact



1004360

<https://www.phoenixcontact.com/gb/products/1004360>

Please be informed that the data shown in this PDF document is generated from our online catalog. Please find the complete data in the user documentation. Our general terms of use for downloads are valid.



Crimp contact, series: HC-M-12, Pin, rolled, contact diameter: 1.6 mm, connection cross section: 0.34 mm² ... 1 mm², AWG 22...17, contact material: Cu alloy

CK1,6-ER-1,00ST OIC AG - Crimp contact



1004360

<https://www.phoenixcontact.com/gb/products/1004360>

Technical data

Notes

General	This product replaces 1884092 CK1,6-ER-0,50ST AG
---------	--

Product properties

Product type	Crimp contact
Series	HC-M-12
	HC-M-EMV
	HC-D
	HC-DD
	VC-D
	HC-M-03/04
	HC-M-17
	HC-K
	HC-Q
	HC-COM
	HC-M-42
HC-M-08-MBIT	
Contact material type	rolled

Connection data

Connection technology

Contact connection type	Pin
Connection method	Crimp connection

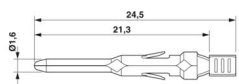
Conductor connection

Stripping length	4 mm
Connection cross section	0.34 mm ² ... 1 mm ²
Connection cross section AWG	22 ... 17

Material specifications

Material Contact	Cu alloy (nickel-plated)
Material Contact surface	Ag

Dimensions

Dimensional drawing	
Width [w]	3.3 mm
Length [l]	24.5 mm
Diameter (Contact diameter)	1.6 mm

CK1,6-ER-1,00ST OIC AG - Crimp contact



1004360

<https://www.phoenixcontact.com/gb/products/1004360>

Mechanical properties

Mechanical data

Insertion/withdrawal cycles	≥ 50
-----------------------------	------

Environmental and real-life conditions

Ambient conditions

Ambient temperature (operation)	-40 °C ... 125 °C
---------------------------------	-------------------

CK1,6-ER-1,00ST OIC AG - Crimp contact

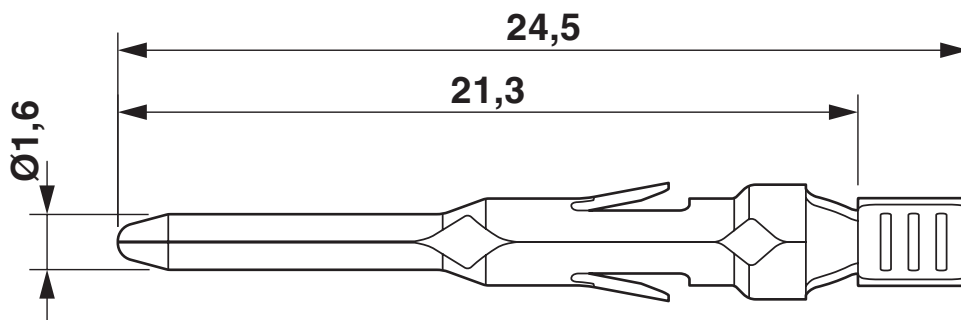


1004360

<https://www.phoenixcontact.com/gb/products/1004360>

Drawings

Dimensional drawing



CK1,6-ER-1,00ST OIC AG - Crimp contact



1004360

<https://www.phoenixcontact.com/gb/products/1004360>

Classifications

ECLASS

ECLASS-13.0	27440204
ECLASS-15.0	27440204

ETIM

ETIM 9.0	EC000796
----------	----------

UNSPSC

UNSPSC 21.0	39121500
-------------	----------

CK1,6-ER-1,00ST OIC AG - Crimp contact



1004360

<https://www.phoenixcontact.com/gb/products/1004360>

Environmental product compliance

EU RoHS

Fulfills EU RoHS substance requirements	Yes, No exemptions
---	--------------------

China RoHS

Environment friendly use period (EFUP)	EFUP-E
	No hazardous substances above the limits

EU REACH SVHC

REACH candidate substance (CAS No.)	No substance above 0.1 wt%
-------------------------------------	----------------------------

EF3.0 Climate Change

CO2e kg	0.013 kg CO2e
---------	---------------

Phoenix Contact 2025 © - all rights reserved
<https://www.phoenixcontact.com>

PHOENIX CONTACT Ltd
Halesfield 13, Telford
Shropshire, TF7 4PG
01952 681700
info@phoenixcontact.co.uk