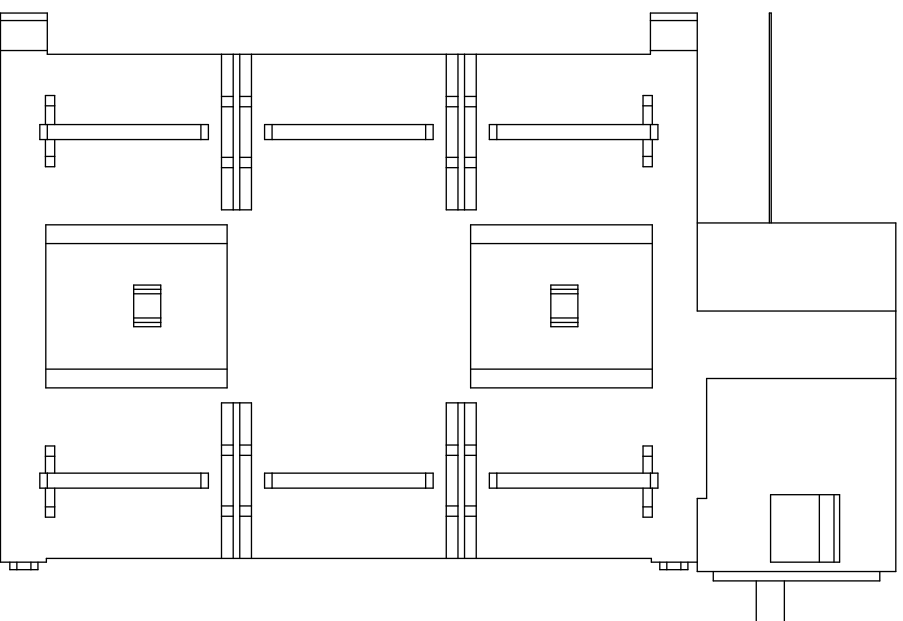
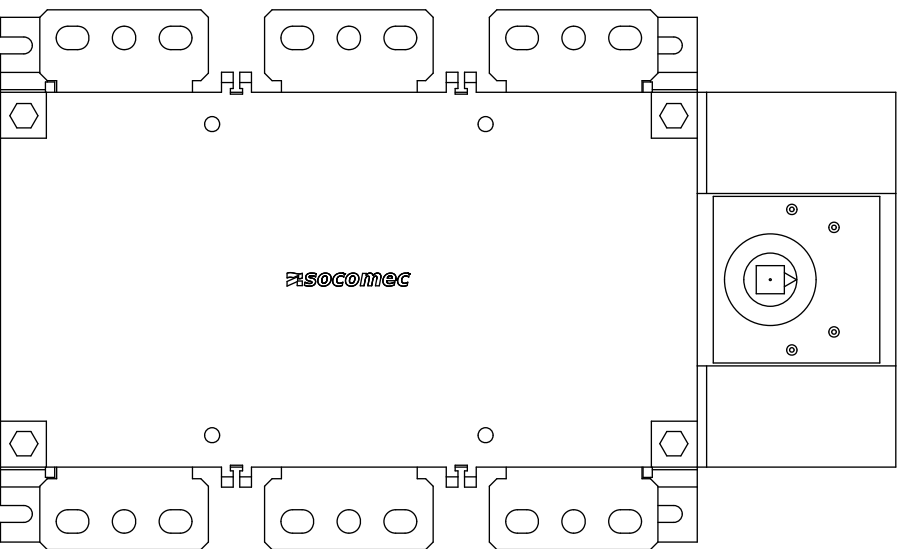
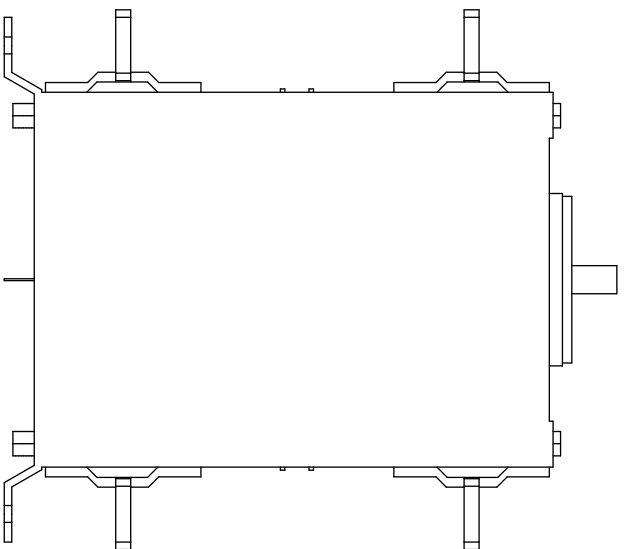


Contents

	Page
1 2D Views	2
2 Configuration settings	3
3 Contact information	4



1 2D Views

2 Configuration settings

Configuration	
Part Number	41AC3160
Description	SIRCOVER 3X1600A F

Bill of Materials Data	
Manufacturer	SOCOMECC
Description	SIRCOVER 3X1600A F
Part Number	41AC3160
Control operator	Manual Direct : J3 / External : S4
Number of poles	3
Rated current	1600
Type	Manual I-0-II
Body size	B7

3 Contact information

SOCOMEC
1, Rue de Westhouse
✉ BP 10
67235
BENFELD cedex
@ www.socomec.com