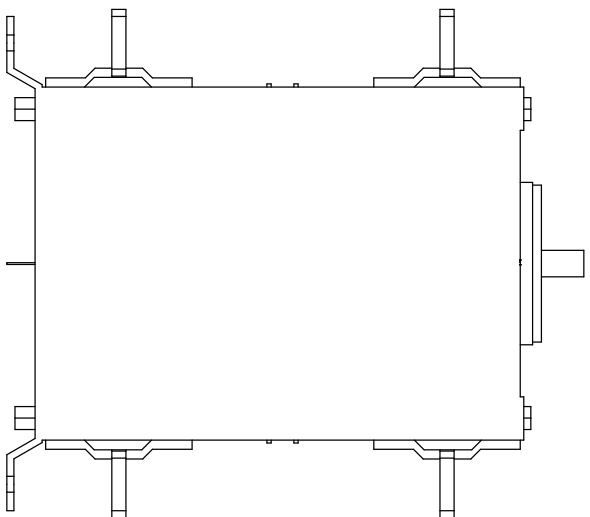
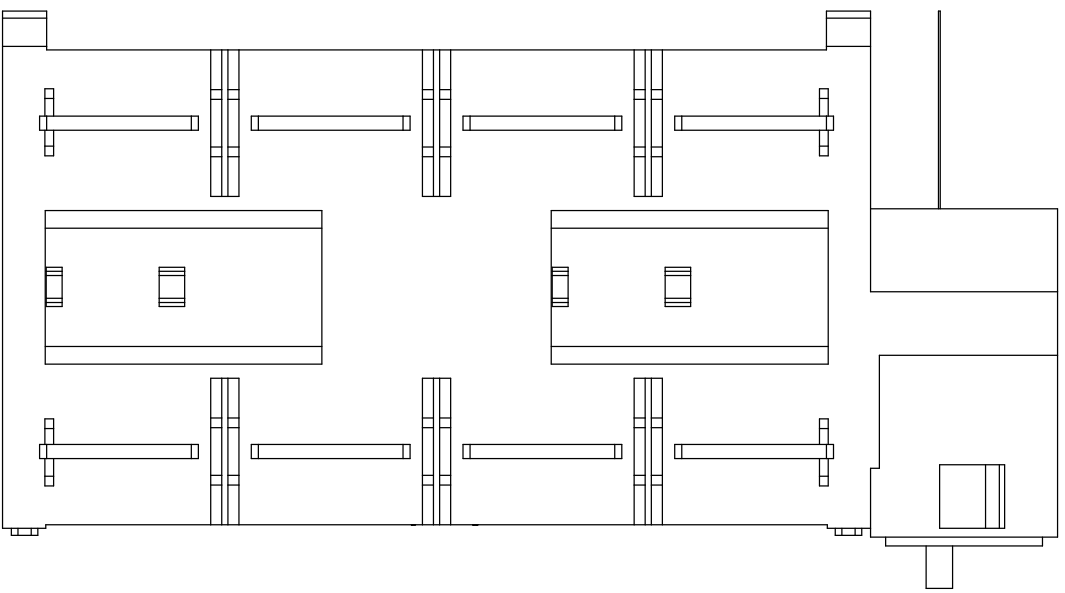
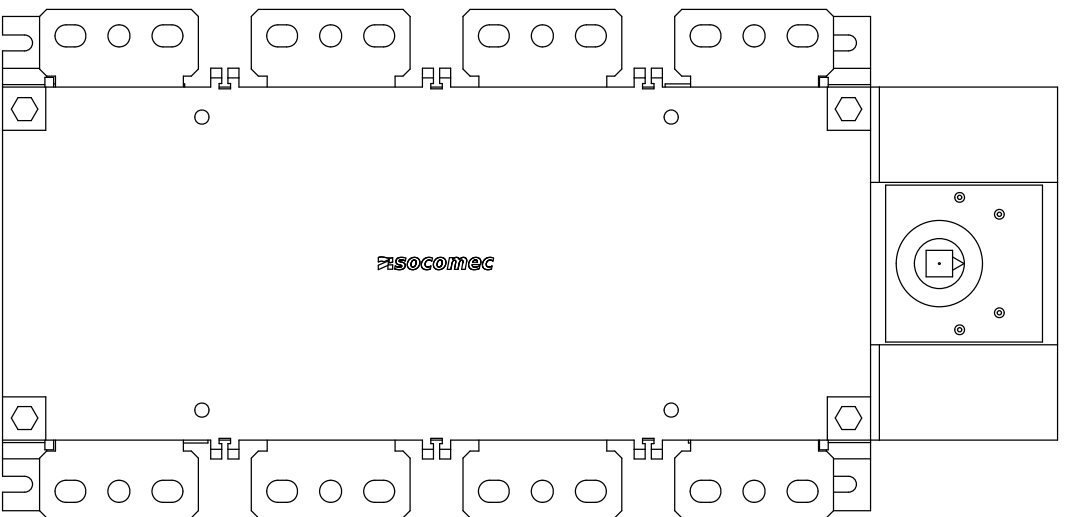


Contents

	Page
1 2D Views	2
2 Configuration settings	3
3 Attachments / Technical document	4
4 Contact information	5



1 2D Views



2 Configuration settings

Configuration	
Manufacturer Part Number	41AC4160
Description	Manually operated transfer switch body SIRCOVER I-0-II 4P 1600A

Bill of Materials Data	
Manufacturer	SOCOMECC
Description	Manually operated transfer switch body SIRCOVER I-0-II 4P 1600A
Manufacturer Part Number	41AC4160
Product Page	https://www.socomec.co.uk/en-gb/reference/41AC4160

3 Attachments / Technical document

Please double click with left mouse button on a paper clip symbol to open a file. You could also save a file when you click the symbol with the right mouse button.

- Product Catalog Page 

4 Contact information

SOCOMEC
1, Rue de Westhouse
✉ BP 10
67235
BENFELD cedex
@ www.socomec.com