

**3Dfindit**

powered by  **CADENAS**



**WAGO**

**750-436**

# CONTENT

---

Augmented Reality (AR) - Digital meets real	2
3D preview of 750-436	3
Integrate Wago catalog inside your CAD System	4
2D derivations and Bill-Of-Material (BOM)	5
Technical drawings	6
Technical data	7
Get a free E-Learning training for Wago catalog	8



# 3Dfindit

powered by  CADENAS

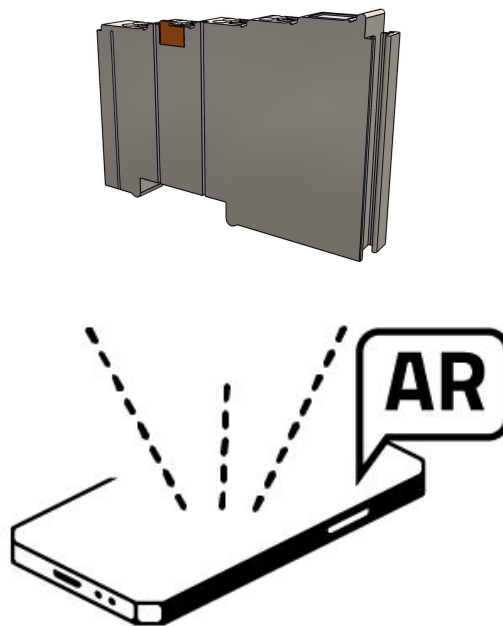


750-436



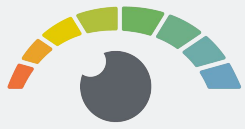
## AR

Augmented Reality, often shortened to AR, is a technology that blends digital information into the real world. For more information, please click [here](#) or directly try yourself by scanning the QR code with your phone.



Please scan the QR code above and open on AR-enabled device.

There is a possibility that the configuration will fail. If that happens, please try a different product.



# 3Dfindit

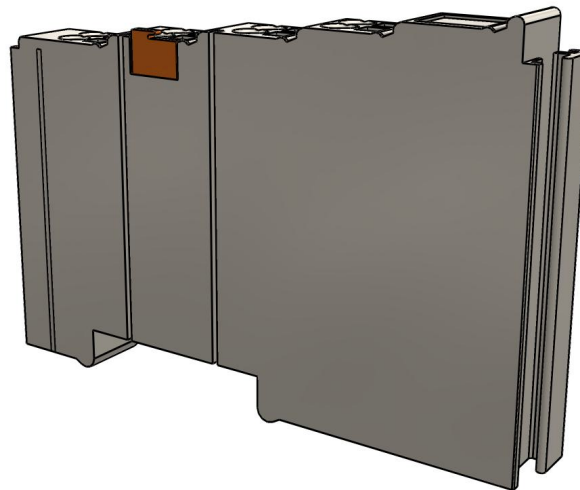
powered by  CADENAS



## 750-436



### 3D view



## HOW TO ACTIVATE 3D?

To activate the interactive 3D view in Acrobat Reader, you need to select, at the top of the page, **Options** and then **Trust this document**



**Zoom**  
Moves you toward or away from objects in the scene when you drag vertically. You can also zoom with the hand tool by holding down Shift as you drag.



**Pan**  
Moves the model vertically and horizontally only. You can also pan with the hand tool: Ctrl-drag.



**Rotate**  
Turns 3D objects around relative to the screen. How the objects move depends on the starting view, where you start dragging and the direction in which you drag.



# 3Dfindit

powered by CADENAS

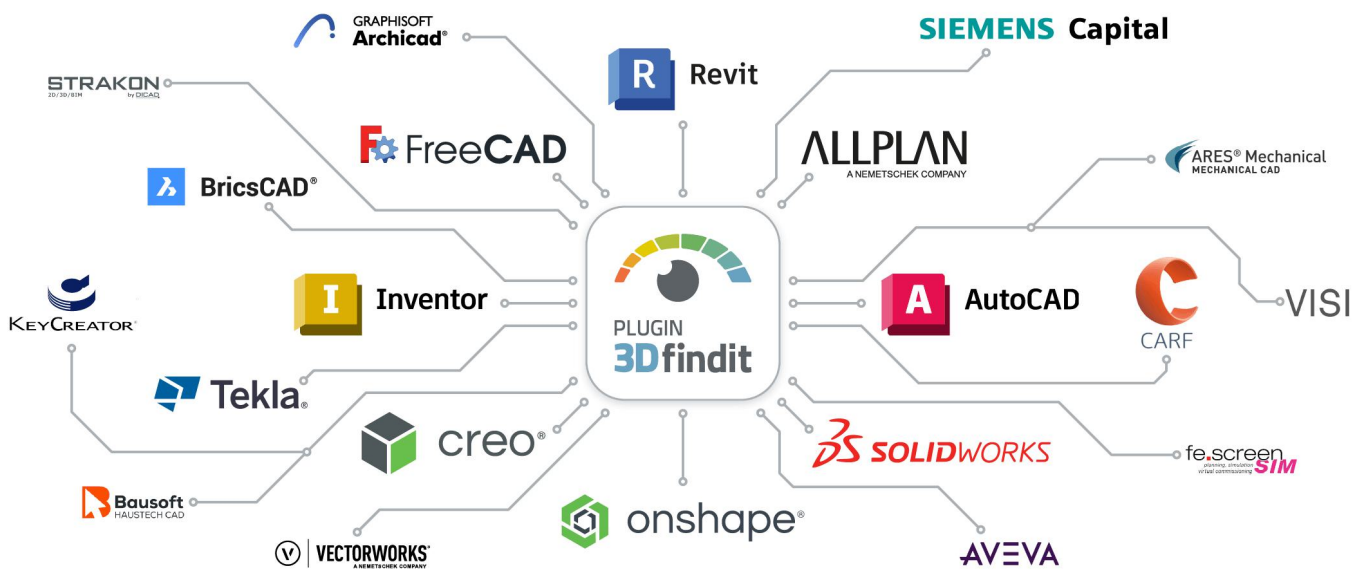


# WAGO

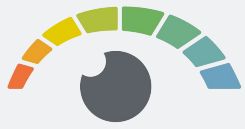
## 750-436

## CAD plugins

With our CAD integrations, you can use 3Dfindit directly in your CAD system and make your work easier with additional comfort functions, such as replacing a part and many more.



# To the plugins



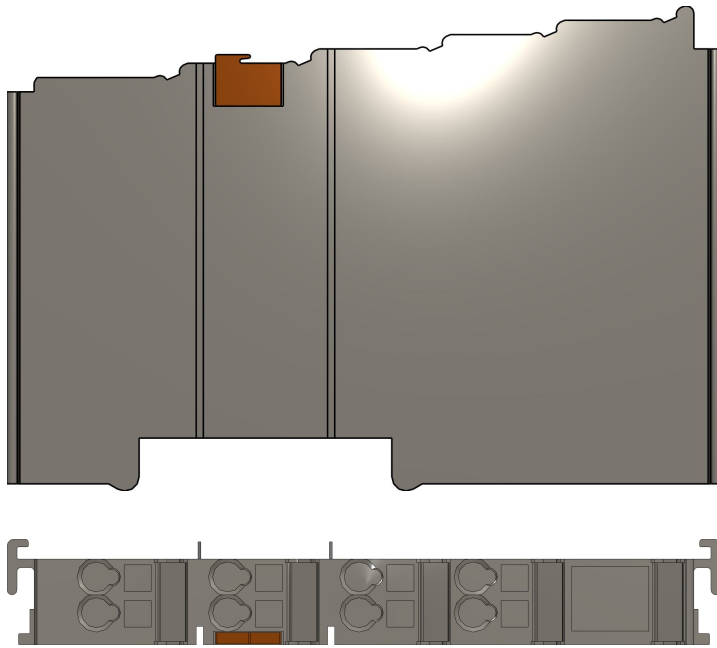
# 3Dfindit

powered by  CADENAS

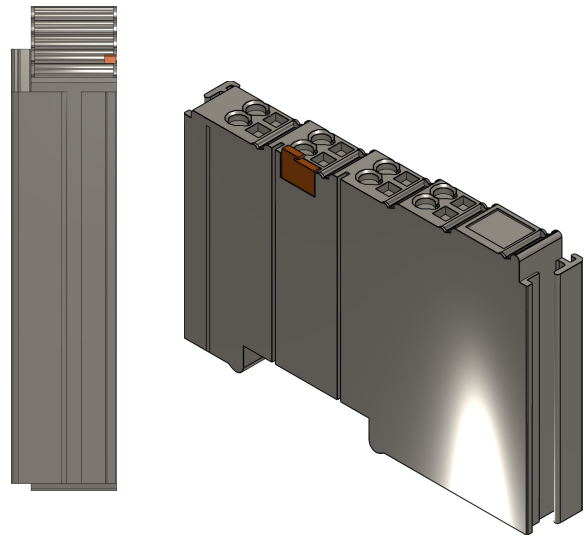


## 750-436

### 2D derivation

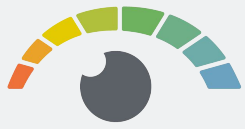


### ISO view



## Bill-Of-Materials

N°	Description	Amount
1.1	750-436	1



**3Dfindit**

powered by  **CADENAS**



**WAGO**

**750-436**

## Technical drawings



# 3Dfindit

powered by  CADENAS



# WAGO

## 750-436

## Technical data

BESTNR (Item-No.)	750-436
INFODE (WAGO eShop)	Info DE
INFOEN (WAGO eShop)	Info EN
QUERSCHNITT1 (Cross section / mm <sup>2</sup> )	0.08 - 2.5
QUERSCHNITT2 (Cross section / AWG)	28 - 14
ABISOLIERLAENGE (Strip length / mm)	8 - 9
HOEHE (Height / mm)	64.00
BREITE (Width / mm)	12.00
TIEFE (Depth / mm)	100.00
FARBE (Color)	lichtgrau
BEMERKUNGEN (Comment)	24V DC 3.0 ms
GEWICHT (Weight / g)	47.864
ECLASS71 (eCl@ss 7.1)	27-24-26-04



# 3Dfindit

powered by  CADENAS



# WAGO

750-436

## E-Learning

Discover free training for 3Dfindit, the search engine for engineers, designers, and architects. Our 30 to 50-minute interactive courses provide you with comprehensive knowledge about the platform. Upon successful completion, you will receive a certificate. Start your first course now and master 3Dfindit!

**Become an Expert of Digital Engineering**



# 3Dfindit

**Boost your career and get ready for Industry 4.0!**

[Learn more](#)

[Start course](#)

[www.CADENAS.de](http://www.CADENAS.de)  
[www.3Dfindit.com](http://www.3Dfindit.com)

◀ VISIT US AT [3Dfindit.com](http://3Dfindit.com) NOW!