

HC-M-B06-MFH-H - Module carrier frame



1182087

<https://www.phoenixcontact.com/gb/products/1182087>

Please be informed that the data shown in this PDF document is generated from our online catalog. Please find the complete data in the user documentation. Our general terms of use for downloads are valid.



HC-M-B06-MFH-H - Module carrier frame



1182087

<https://www.phoenixcontact.com/gb/products/1182087>

Technical data

Notes

General	This product replaces 1417403 HC-M-B06-MF-H
---------	---

Product properties

Product type	Module carrier frame
Series	HC-M-B
	HC-M-02
	HC-M-03
	HC-M-03/04
	HC-M-04
	HC-M-05
	HC-M-06
	HC-M-08
	HC-M-08-GBIT
	HC-M-12
	HC-M-17
	HC-M-20
	HC-M-25
	HC-M-DSUB
	HC-M-EMV
	HC-M-HV
	HC-M-HS
HC-M-00	
Application	Module carrier frame
Type	B6
Number of module slots	2
Frame type	Module carrier frame

Connection data

Conductor connection

Conductor cross section	4 mm ² ... 6 mm ² (for PE conductor - power side)
	1 mm ² ... 2.5 mm ² (for PE conductor control side)
Connection cross section AWG	12 ... 10 (for PE conductor - power side)
	18 ... 14 (for PE conductor control side)
Tightening torque	0.5 Nm ... 0.8 Nm (Mounting screws for mounting in the HEAVYCON housing)

Dimensions

HC-M-B06-MFH-H - Module carrier frame

1182087

<https://www.phoenixcontact.com/gb/products/1182087>

Dimensional drawing	
Width	34.9 mm
Height	36 mm
Length	51 mm

Material specifications

Contact carrier material	Die-cast zinc alloy
--------------------------	---------------------

Mechanical properties

Mechanical data

Insertion/withdrawal cycles	≥ 500
-----------------------------	-------

Environmental and real-life conditions

Ambient conditions

Ambient temperature (operation)	-40 °C ... 125 °C
---------------------------------	-------------------

Mounting

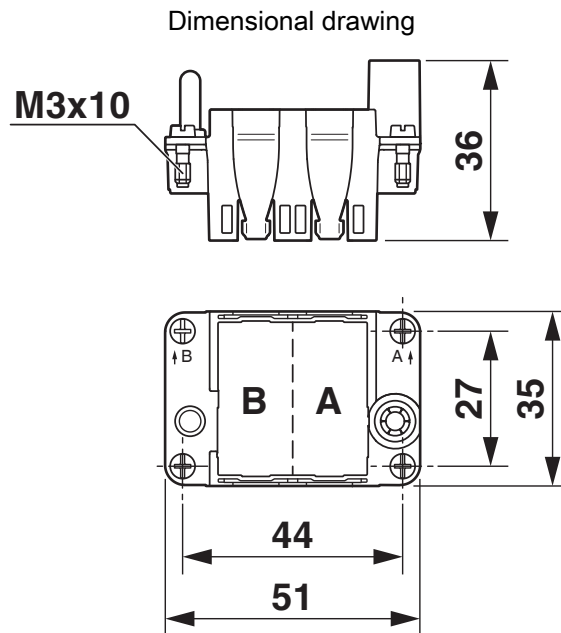
Assembly note	<p>HC-MHR-PE16 (1636981) for PE connection extension to 16 mm².</p> <p>Use wire end protection for PE wires (PE connection screws without wire protection) for housings without lateral connectors, max. thread length of the screw connection 12 mm</p> <p>When using the module carrier frame in metal housings, the connection of the PE conductor must be ensured via the PE connection provided on the module carrier frame or via a special metal PE module</p>
---------------	---

HC-M-B06-MFH-H - Module carrier frame

1182087

<https://www.phoenixcontact.com/gb/products/1182087>

Drawings



Dimensional drawing

HC-M-B06-MFH-H - Module carrier frame



1182087

<https://www.phoenixcontact.com/gb/products/1182087>

Approvals

To download certificates, visit the product detail page: <https://www.phoenixcontact.com/gb/products/1182087>

 **CSA**
Approval ID: 13631

 **UL Recognized**
Approval ID: E118976

 **UL Recognized**
Approval ID: E118976

HC-M-B06-MFH-H - Module carrier frame



1182087

<https://www.phoenixcontact.com/gb/products/1182087>

Classifications

ECLASS

ECLASS-13.0	27440206
ECLASS-15.0	27440206

ETIM

ETIM 9.0	EC002312
----------	----------

UNSPSC

UNSPSC 21.0	31261500
-------------	----------

1182087

<https://www.phoenixcontact.com/gb/products/1182087>

Environmental product compliance

EU RoHS

Fulfills EU RoHS substance requirements	Yes
Exemption	6(c)

China RoHS

Environment friendly use period (EFUP)	EFUP-50
	An article-related China RoHS declaration table can be found in the download area for the respective article under "Manufacturer declaration". For all articles with EFUP-E, no China RoHS declaration table issued and required.

EU REACH SVHC

REACH candidate substance (CAS No.)	Lead(CAS: 7439-92-1)
SCIP	98bae1d6-cddf-48fe-b619-70040a25ebb3

Phoenix Contact 2025 © - all rights reserved

<https://www.phoenixcontact.com>

PHOENIX CONTACT Ltd
Halesfield 13, Telford
Shropshire, TF7 4PG
01952 681700
info@phoenixcontact.co.uk