

HC-A10-I-PT-F - Contact insert

1585362

<https://www.phoenixcontact.com/gb/products/1585362>



Please be informed that the data shown in this PDF document is generated from our online catalog. Please find the complete data in the user documentation. Our general terms of use for downloads are valid.



Your advantages

- Easy installation without tools, even when mounted, with push-in connection technology
- Shortest installation time compared to other connection technologies
- Quick and effortless wiring, in particular when space is tight
- Automatic cabling with robots possible
- Safe wiring and operation with color-coded actuators
- Shock and vibration-resistant in accordance with DIN EN 61373
- Cost-effective and fast coding with plastic profiles

HC-A10-I-PT-F - Contact insert



1585362

<https://www.phoenixcontact.com/gb/products/1585362>

Technical data

Notes

General	only use flexible conductors with ferrules
General	Connectors may be operated only when there is no load/voltage.
General	For HEAVYCON housing of type D15

Mounting

Assembly note	To ensure correct use, installation in housing with IP54 protection or better is required for plastic coding profiles: 4 pcs.
---------------	--

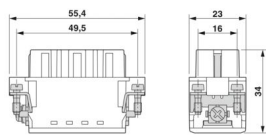
Product properties

Product type	Contact insert with a fixed no. of positions
Series	HC-A
Type	D15
Number of positions	10
Connection profile	10+PE
Contact numbering	1 - 10
Number of connections per position	1
Contact material type	rolled
Screwdriver blade	0.5 x 3.5 mm

Insulation characteristics

Overvoltage category	III
Degree of pollution	3

Dimensions

Dimensional drawing	
Width	23 mm
Height	34.1 mm
Length	55.5 mm
Drill hole distance, horizontal	49.5 mm
Drill hole distance, vertical	16 mm

Mechanical characteristics

Contact diameter	2.5 mm
------------------	--------

Connection data

Connection technology

HC-A10-I-PT-F - Contact insert



1585362

<https://www.phoenixcontact.com/gb/products/1585362>

Connection technology	Push-in connection
Number of connections per position	1

Conductor connection

Conductor cross section	0.14 mm ² ... 2.5 mm ²
Connection cross section AWG	26 ... 14
Tightening torque	0.7 Nm ... 1 Nm (PE connection) 0.5 Nm ... 0.8 Nm (Mounting screws for mounting in the HEAVYCON housing)
Stripping length of the individual wire	8 mm

Electrical properties

Rated voltage (III/3)	250 V
Rated surge voltage	4 kV 4 kV
Rated current	16 A

Mechanical properties

Mechanical data

Insertion/withdrawal cycles	≥ 500
-----------------------------	-------

Material specifications

Flammability rating according to UL 94	V0
Contact material	Copper alloy
Contact surface material	Ag
Contact carrier material	PC
Standards/regulations	PC

Environmental and real-life conditions

Ambient conditions

Ambient temperature (operation)	-40 °C ... 125 °C (including heating up of contacts)
---------------------------------	--

Standards and regulations

Testing

Standards/regulations	PC: Fire protection in rail vehicles - requirement sets R22, R23, and R24 acc. to DIN EN 45545-2 (Risk level HL1 - HL3)
-----------------------	---

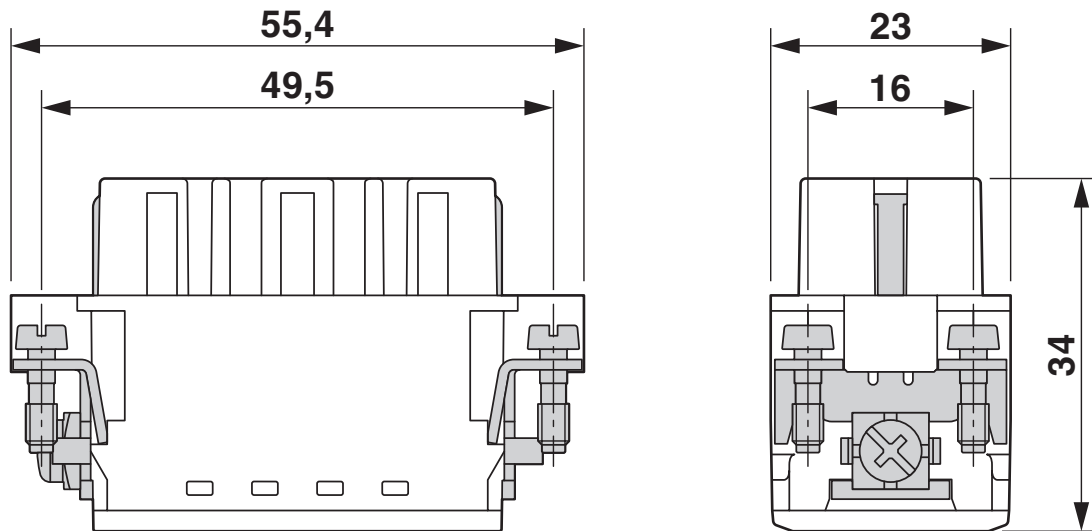
HC-A10-I-PT-F - Contact insert

1585362

<https://www.phoenixcontact.com/gb/products/1585362>

Drawings

Dimensional drawing



Female insert

Dimensional drawing



Mounting cutout when used without housing

HC-A10-I-PT-F - Contact insert

1585362

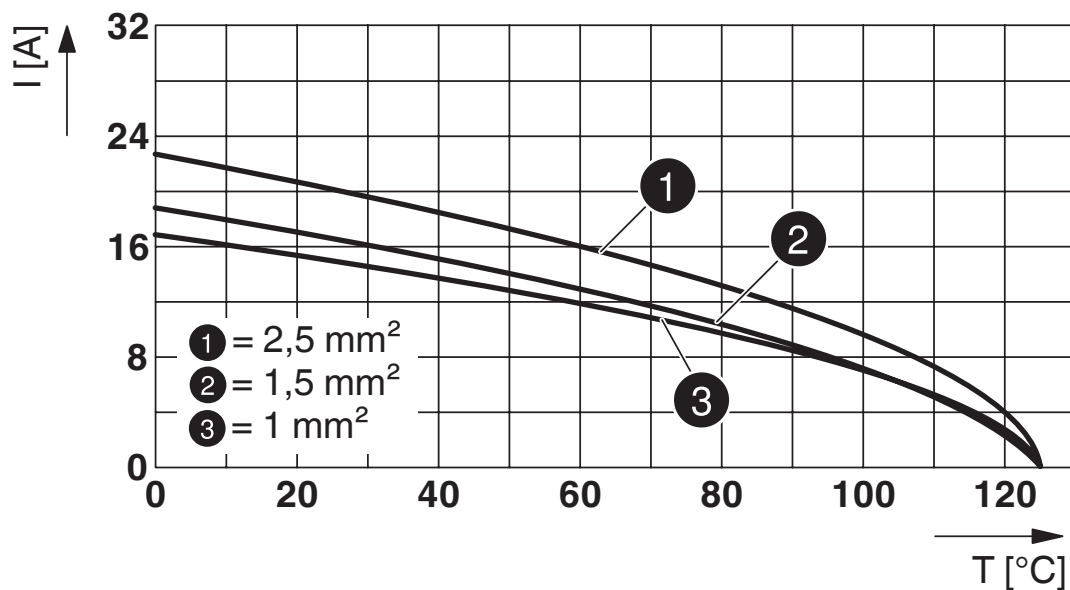
<https://www.phoenixcontact.com/gb/products/1585362>

Schematic diagram



Connector pin assignment, connection side

Diagram



Derating diagram

HC-A10-I-PT-F - Contact insert



1585362

<https://www.phoenixcontact.com/gb/products/1585362>

Approvals

To download certificates, visit the product detail page: <https://www.phoenixcontact.com/gb/products/1585362>

DNV

Approval ID: TAE000037S



CSA

Approval ID: 13631

	Nominal voltage U_N	Nominal current I_N	Cross section AWG	Cross section mm^2
keine				
	600 V	14 A	- 14	-



UL Recognized

Approval ID: E118976

	Nominal voltage U_N	Nominal current I_N	Cross section AWG	Cross section mm^2
keine				
	600 V	17 A	- 14	-



UL Recognized

Approval ID: E468743

	Nominal voltage U_N	Nominal current I_N	Cross section AWG	Cross section mm^2
keine				
	600 V	16 A	-	-

HC-A10-I-PT-F - Contact insert



1585362

<https://www.phoenixcontact.com/gb/products/1585362>

Classifications

ECLASS

ECLASS-13.0	27440205
ECLASS-15.0	27440205

ETIM

ETIM 9.0	EC000438
----------	----------

UNSPSC

UNSPSC 21.0	39121500
-------------	----------

HC-A10-I-PT-F - Contact insert



1585362

<https://www.phoenixcontact.com/gb/products/1585362>

Environmental product compliance

EU RoHS

Fulfills EU RoHS substance requirements	Yes, No exemptions
---	--------------------

China RoHS

Environment friendly use period (EFUP)	EFUP-E
	No hazardous substances above the limits

EU REACH SVHC

REACH candidate substance (CAS No.)	No substance above 0.1 wt%
-------------------------------------	----------------------------

Phoenix Contact 2025 © - all rights reserved
<https://www.phoenixcontact.com>

PHOENIX CONTACT Ltd
Halesfield 13, Telford
Shropshire, TF7 4PG
01952 681700
info@phoenixcontact.co.uk