

3Dfindit

powered by  **CADENAS**



WAGO

750-8111

CONTENT

Augmented Reality (AR) - Digital meets real	2
3D preview of 750-8111	3
Integrate Wago catalog inside your CAD System	4
2D derivations and Bill-Of-Material (BOM)	5
Technical drawings	6
Technical data	7
Get a free E-Learning training for Wago catalog	8



3Dfindit

powered by  CADENAS

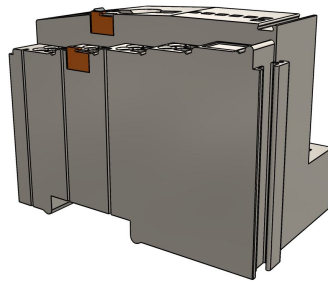


WAGO

750-8111

AR

Augmented Reality, often shortened to AR, is a technology that blends digital information into the real world. For more information, please click [here](#) or directly try yourself by scanning the QR code with your phone.



Please scan the QR code above and open on AR-enabled device.

There is a possibility that the configuration will fail. If that happens, please try a different product.

www.CADENAS.de
www.3Dfindit.com

« VISIT US AT 3Dfindit.com NOW!



3Dfindit

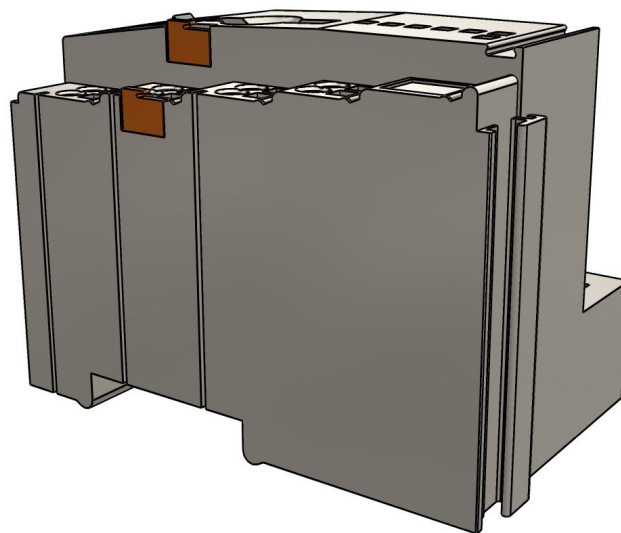
powered by  CADENAS



WAGO

750-8111

3D view



HOW TO ACTIVATE 3D?

To activate the interactive 3D view in Acrobat Reader, you need to select, at the top of the page, **Options** and then **Trust this document**

Zoom

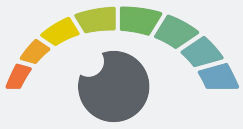
Moves you toward or away from objects in the scene when you drag vertically. You can also zoom with the hand tool by holding down Shift as you drag.

Pan

Moves the model vertically and horizontally only. You can also pan with the hand tool: Ctrl-drag.

Rotate

Turns 3D objects around relative to the screen. How the objects move depends on the starting view, where you start dragging and the direction in which you drag.



3Dfindit

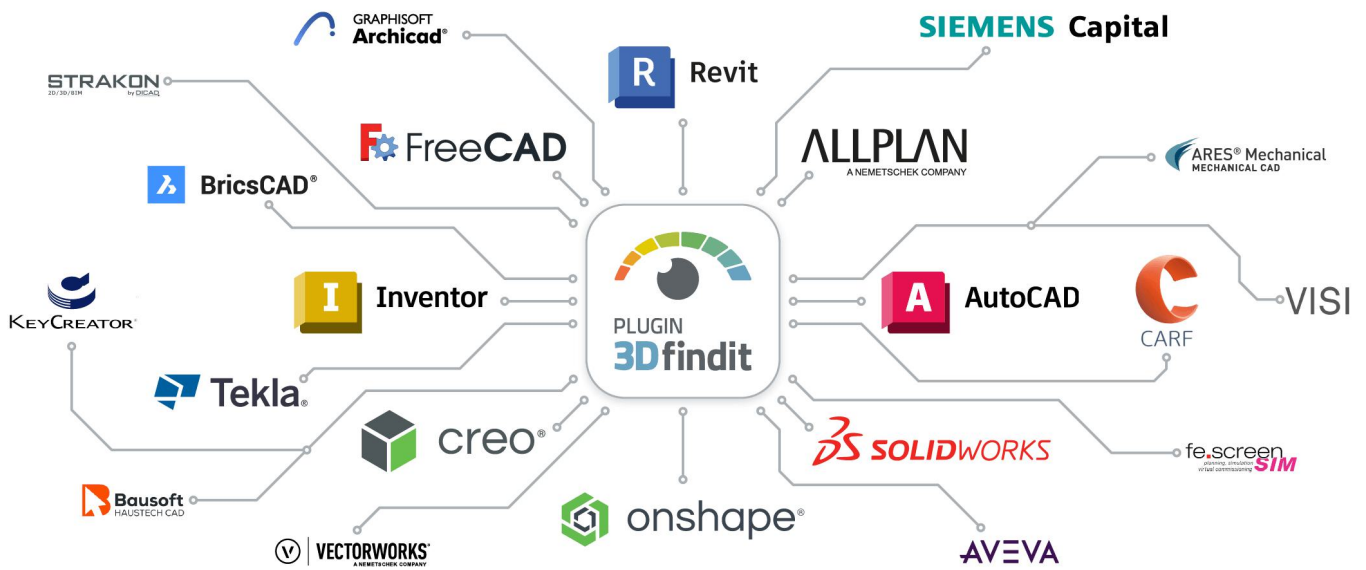
powered by CADENAS



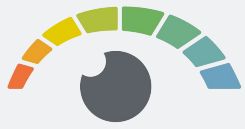
750-8111

CAD plugins

With our CAD integrations, you can use 3Dfindit directly in your CAD system and make your work easier with additional comfort functions, such as replacing a part and many more.



To the plugins



3Dfindit

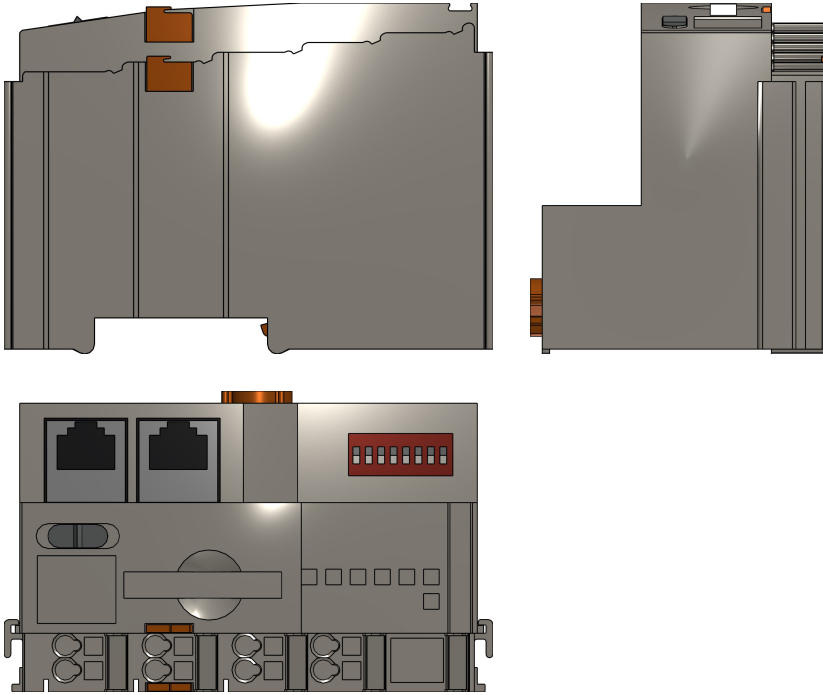
powered by  CADENAS



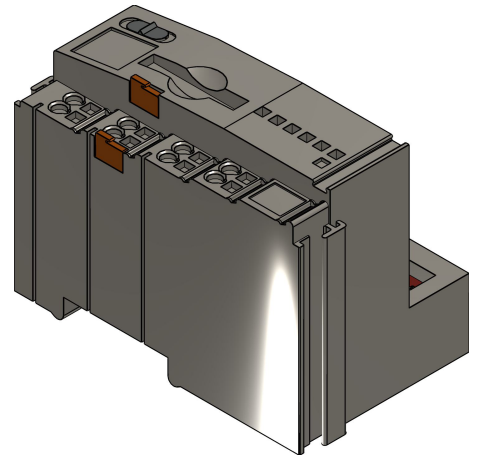
WAGO

750-8111

2D derivation

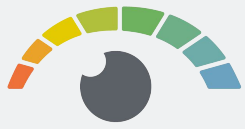


ISO view



Bill-Of-Materials

N°	Description	Amount
1.1	750-8111_HI	1



3Dfindit

powered by  **CADENAS**



WAGO

750-8111

Technical drawings



3Dfindit

powered by  CADENAS



WAGO

750-8111

Technical data

BESTNR (Item-No.)	750-8111
BEZEICHNUNG (Description)	Controller PFC100
INFODE (WAGO eShop)	Info DE
INFOEN (WAGO eShop)	Info EN
LOD (Level of detail)	HIGH
QUERSCHNITT1 (Cross section / mm ²)	0.08 - 2.5
QUERSCHNITT2 (Cross section / AWG)	28 - 14
ABISOLIERLAENGE (Strip length / mm)	8 - 9
HOEHE (Height / mm)	100.00
BREITE (Width / mm)	61.50
TIEFE (Depth / mm)	71.90
FARBE (Color)	light gray
GEWICHT (Weight / g)	155.300
ECLASS71 (eCl@ss 7.1)	27-24-26-07
ECLASS81 (eCl@ss 8.1)	27-24-26-07



3Dfindit

powered by  CADENAS



WAGO

750-8111

E-Learning

Discover free training for 3Dfindit, the search engine for engineers, designers, and architects. Our 30 to 50-minute interactive courses provide you with comprehensive knowledge about the platform. Upon successful completion, you will receive a certificate. Start your first course now and master 3Dfindit!

Become an Expert of Digital Engineering



3Dfindit

Boost your career and get ready for Industry 4.0!

[Learn more](#)

[Start course](#)

www.CADENAS.de
www.3Dfindit.com

◀ VISIT US AT 3Dfindit.com NOW!