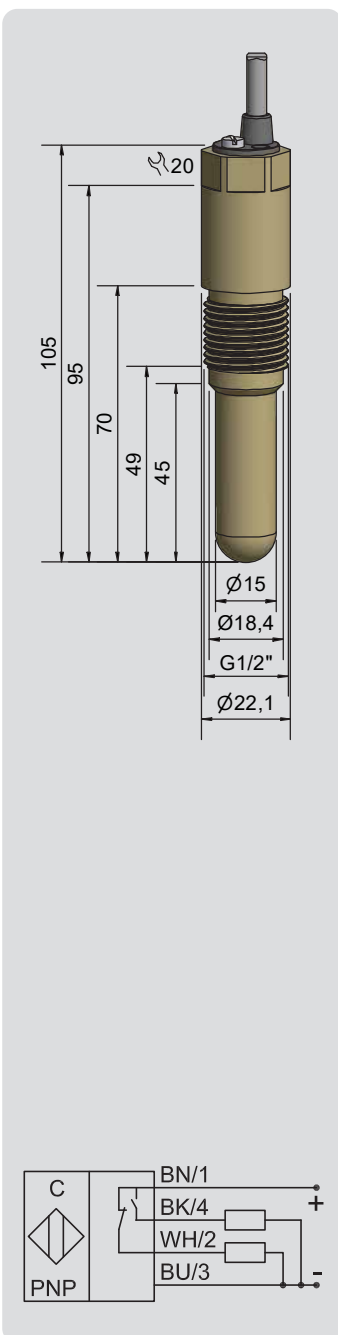




Capacitive sensors
Series 80 - PNP
Article number: KA1244
Description: KAS-80-26/105-A-G1/2-PEEK-FG-Z02-1-HP

- Capacitive sensor for level control of products with a dielectric constant ϵ_r from 1.1.
- Suitable for bulk solids and liquids
- Ideal for detection of chemically aggressive media
- Suitable for food and pharmaceutical applications
- Housing material: PEEK (FDA compliant and EC 1935/2004 compliant)
- Developed in accordance with the EHEDG guidelines for hygienic design, in combination with our weld-in sleeve / Varivent N.



Technical data

Mounting	Non-flush mountable
Level sensor, in contact with the product	Medium dependent adjustable
Operating distance min. / max. adjustable	0...10 mm
Sensitivity adjustment	Potentiometer
Output function	PNP, Antivalent
Operating voltage (U_b)	10...35 V DC
Voltage drop max. (U_d)	≤ 2.0 V
Permitted residual ripple max.	10 %
Operating current (I_b)	2 x 0...200 mA
No-load current (I_o)	Typ. 15 mA
Frequency of operating cycles max.	2 Hz
Permitted ambient temperature	-25...+70 °C / CIP 121 °C
LED-display	Green / yellow
Protective circuit	Built-in
Degree of protection IEC 60529	IP 67 (with sealed potentiometer screw)
Norm	EN 60947-5-2
Connection	Cable, 2 m, PVC, 4 x 0.34 mm ²
Housing material	PEEK (FDA 21 CFR 177.2415)
Active surface	PEEK (FDA 21 CFR 177.2415), according to (EC) No. 1935/2004
Lid	PA
Housing size / Process connection	G1/2"
Surface quality Ra, part in contact with the medium	0.8 μ m
Pressure load (active surface)	10 bar
Media-optimized	Yes
Quattro-Protect	Yes
MTTF (average operating time until failure)	439,42 Years
Documents (not included in delivery)	Declaration of Conformity (EC) No. 1935/2004, # 100035
Accessors (not delivered with the sensor)	# 196394 welding socket, # 196395 adapter Varivent N
Made in Germany	

All specifications are subject to change without notice. (25.07.2025)