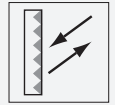


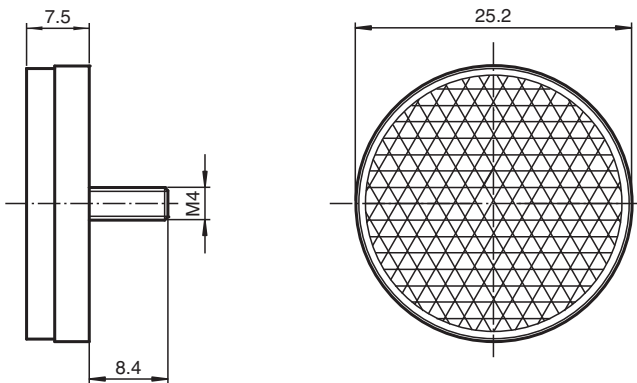
Reflector REF-S25



- Screw mounting for simple installation

Reflector, round \varnothing 25 mm, screw fixing M4

Dimensions



Technical Data

General specifications

Construction type circular

Ambient conditions

Ambient temperature -20 ... 85 °C (-4 ... 185 °F)

Mechanical specifications

Material PMMA/ABS

Dimensions

Height 15.9 mm

Diameter 25.2 mm

Mounting screw fixing

Release date: 2026-02-10 Date of issue: 2026-02-10 Filename: 113942_eng.pdf

Refer to "General Notes Relating to Pepperl+Fuchs Product Information".

Pepperl+Fuchs Group
www.pepperl-fuchs.com

USA: +1 330 486 0001
fa-info@us.pepperl-fuchs.com

Germany: +49 621 776 1111
fa-info@de.pepperl-fuchs.com

Singapore: +65 6779 9091
fa-info@sg.pepperl-fuchs.com

PF PEPPERL+FUCHS