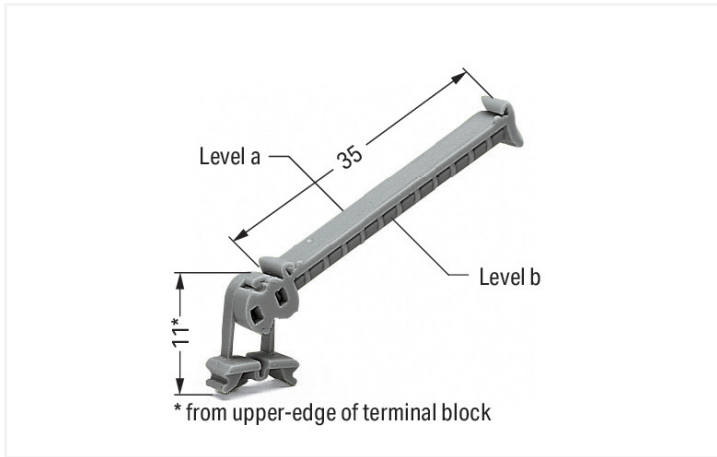


Data Sheet | Item Number: 249-105

Group marker carrier; gray

<https://www.wago.com/249-105>



Color: ■ gray

Technical data

| | |
|------------------------------------|------------------|
| Properties | pivoting |
| Insulation material (main housing) | Polyamide (PA66) |
| Flammability class per UL94 | V0 |

Material data

| | |
|-----------|----------|
| Color | gray |
| Weight | 0.7 g |
| Fire load | 0.018 MJ |

Product Classification

| | |
|-------------|----------------------|
| UNSPSC | 39121702 |
| eCl@ss 10.0 | 27-14-40-75 |
| eCl@ss 9.0 | 27-14-40-75 |
| ETIM 9.0 | EC002248 |
| ETIM 10.0 | EC002248 |
| ECCN | NO US CLASSIFICATION |

Environmental Product Compliance

| | |
|------------------------|-------------------------|
| RoHS Compliance Status | Compliant, No Exemption |
|------------------------|-------------------------|

Downloads

Environmental Product Compliance

| Compliance Search | |
|--|---|
| Environmental Product Compliance 249-105 | ↓ |

CAD/CAE-Data

| CAD data | |
|----------------------|---|
| 2D/3D Models 249-105 | ↓ |

| CAE data | |
|------------------------|---|
| WSCAD Universe 249-105 | ↓ |
| ZUKEN Portal 249-105 | ↓ |

1 Compatible Products

1.1 Required Accessories

1.1.1 Marking

1.1.1.1 Marker



Item No.: 209-183
Marker; white

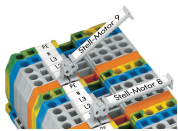
1.1.1.2 Protective marker cover



Item No.: 209-184
Protection cover; transparent

Installation Notes

Application



This pivoting group marker carrier has been developed for group marking of rail-mount terminal blocks and incorporates many customer requirements:

- Can be used in all multiprofile marker slots for rail-mount terminal blocks 5 mm (0.197 inch) and above or in spacer housings as shown above.
- Pivotal to seven different stable positions, providing the best visual angle in case of difficult mounting conditions
- Two levels for different marking systems
Level a: for marker (4 x 34) mm (see above)
Level b: for 12 WCB-Combi markers (see www.wagocatalog.com)

Subject to changes. Please also observe the further product documentation!

Current addresses can be found at: www.wago.com
