



## **The lightweight suspension system CS-B.light**

The new connection solution for encapsulated IPCs and control enclosures

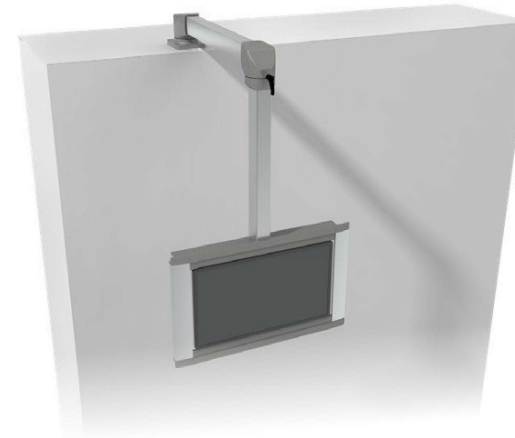
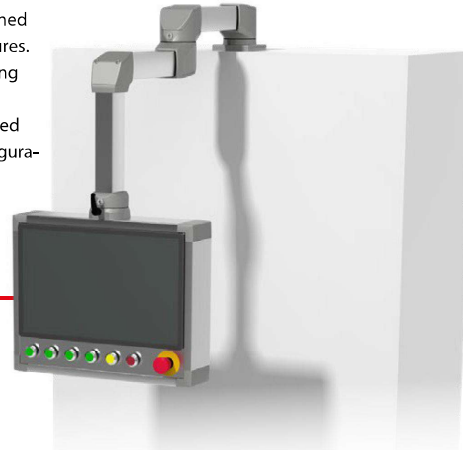
# Why go heavy when you can go light

## The new suspension system CS-B.light

The new CS-B.light lightweight support system is specially designed for mounting small, lightweight IPCs, screens and control enclosures. It offers optimum modularity as well as adjustment and positioning options for your control application. The individual components of the suspension system are combined with special aluminium profile tubes to achieve the desired configuration according to the load diagram.

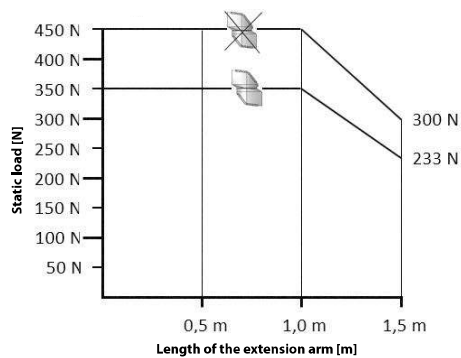
### Product features

- Suspension system for static loads of up to 45 kg (with 1 m extension arm)
- Individually configurable
- Simple assembly with flexible length adjustment of the tubes
- Wide range of connections thanks to large portfolio of components



### Load diagramm

#### Static load capacity CS-B.light



### Material

- Anodised aluminium tubes
- Die-cast aluminium components
- Aluminium covers on mounting openings
- POM-bearings
- PUR and NBR seals

### Colouring

- Components: white aluminium (RAL 9006)
- Tubes: aluminium, natural anodised
- Powder coating of components and tubes possible in any colour according to RAL colour scale

### Mounting

- Flexible adjustment of the arm length by simply shortening the aluminium tubes – possible directly on site
- Large cable and mounting openings at all deflection points
- Openings are compatible with DVI connectors
- VESA 75 + 100 connection from behind (for IPCs and monitors with corresponding connections) using the VESA couplings possible
- Mounting dimensions on the machine and enclosure side identical to the BERNSTEIN CS-2000 SL suspension system


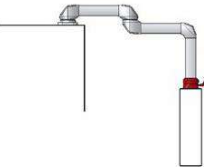
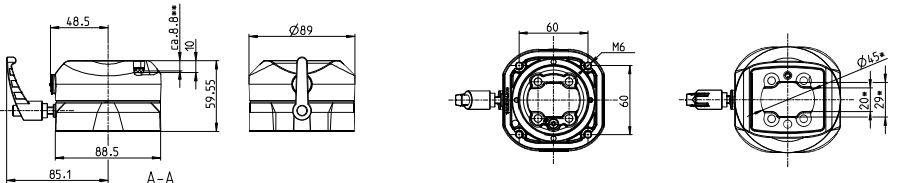

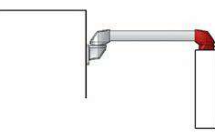
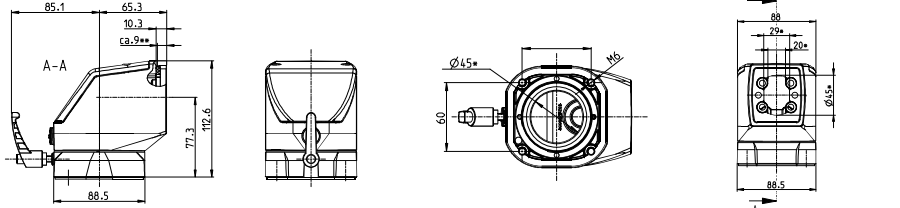

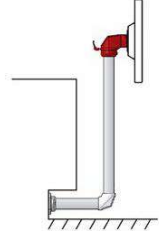
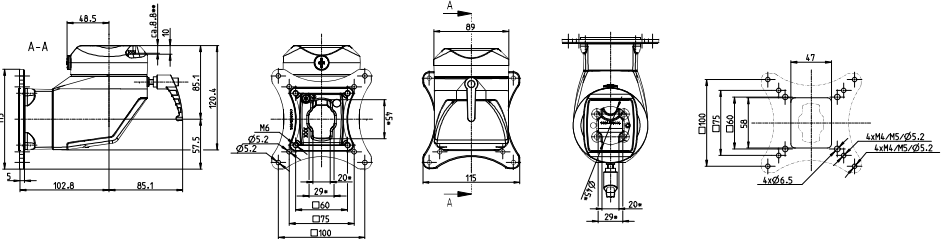

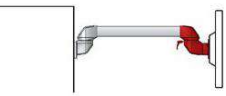
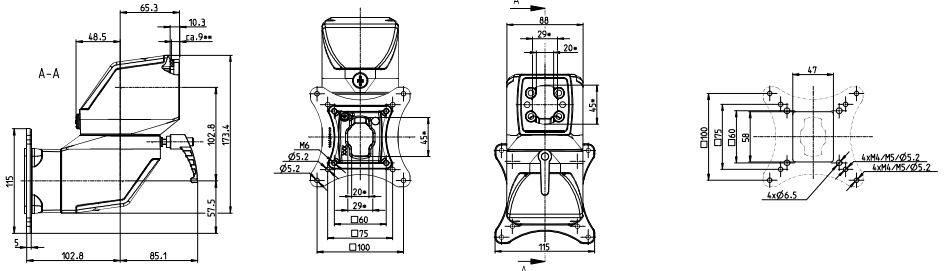

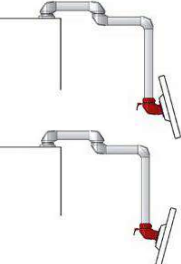
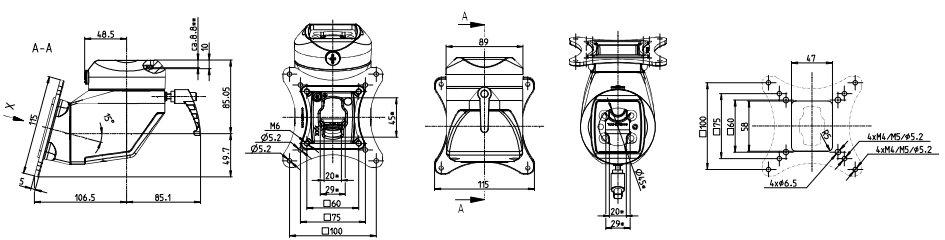
### Function

- Rotation range of movable components: 300°
- Rotation can be reduced by swivel angle limitation
- Tiltability with appropriate components: +15°/-30° (180° tilt reversal possible)
- Connection of Siemens Pro devices and profiles with a minimum depth of 50 mm is possible.
- Protection class IP65
- Continuous earthing concept

### Tubes

- Standard lengths from 250 mm to 1500 mm in 250 mm increments
- Customised cutting to length possible without any problems



Article	Application example	Dimensions in mm
 <p><b>Straight coupling</b>  <b>101550001</b> RAL 9006 white aluminium</p> <ul style="list-style-type: none"> <li>• Angle of rotation 300° with stop</li> <li>• Weight: 0.70 kg</li> </ul>		
 <p><b>Elbow coupling</b>  <b>101550004</b> RAL 9006 white aluminium</p> <ul style="list-style-type: none"> <li>• Angle of rotation 300° with stop</li> <li>• Screw-fit installation opening</li> <li>• Weight: 1.16 kg</li> </ul>		
 <p><b>Panel coupling S   incl. VESA adaptation</b>  <b>101550010</b> RAL 9006 white aluminium</p> <ul style="list-style-type: none"> <li>• For attachments to the rear of panels / displays or operating enclosures with a screw-fit rear panel</li> <li>• Standard hole pattern VESA 75/100</li> <li>• Angle of rotation 300° with stop</li> <li>• Screw-fit installation opening</li> <li>• Weight: 1.50 kg</li> </ul>		
 <p><b>Panel coupling W   incl. VESA adaptation</b>  <b>101550013</b> RAL 9006 white aluminium</p> <ul style="list-style-type: none"> <li>• For attachments to the rear of panels / displays or operating enclosures with a screw-fit rear panel</li> <li>• Standard hole pattern VESA 75/100</li> <li>• Angle of rotation 300° with stop</li> <li>• Screw-fit installation opening</li> <li>• Weight: 1.96 kg</li> </ul>		
 <p><b>Panel coupling S   15° inclined, incl. VESA adaption</b>  <b>101550011</b> RAL 9006 white aluminium</p> <ul style="list-style-type: none"> <li>• For attachments to the rear of panels / displays or operating enclosures with a screw-fit rear panel</li> <li>• Fixed inclination of 15°, can be mounted tilted upwards or downwards</li> <li>• Standardmäßiges Lochbild VESA 75/100</li> <li>• Angle of rotation 300° with stop</li> <li>• Screw-fit installation opening</li> <li>• Weight: 1.41 kg</li> </ul>		

\* = Cable guide dimensions | \*\* = Insertion depth of the support tube


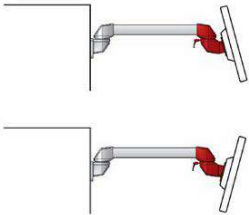
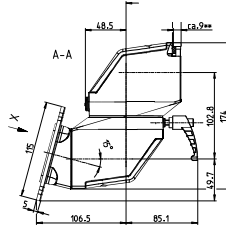
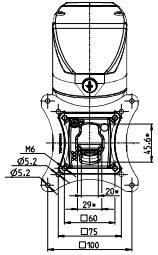
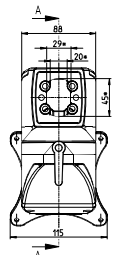
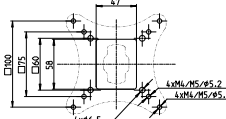
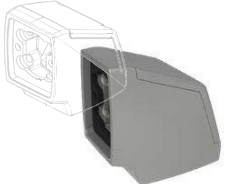
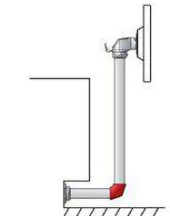
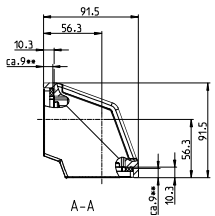
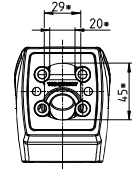
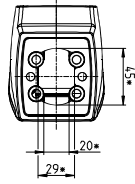

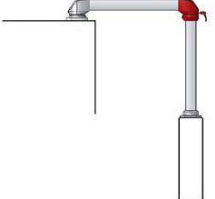
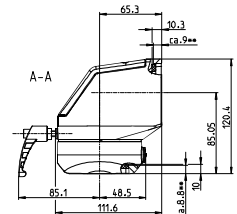
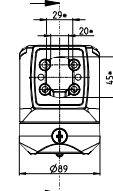
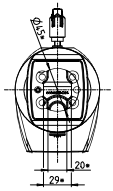

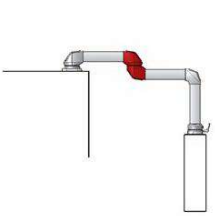
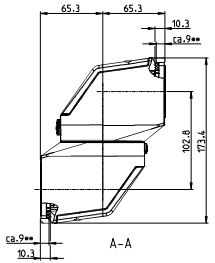
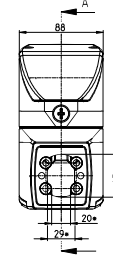
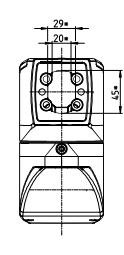

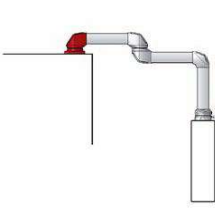
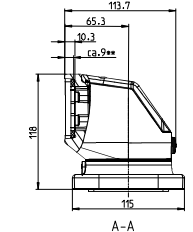
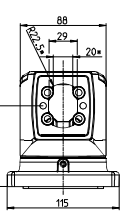
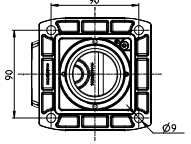
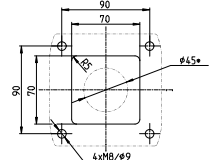
Article	Application example	Dimensions in mm				
<p><b>Tilt coupling S</b> <b>101550003</b> RAL 9006 white aluminium</p> <ul style="list-style-type: none"> <li>• With continuously adjustable tilt angle: +30°/-15°</li> <li>• Weight: 1.25 kg</li> </ul>						
<p><b>Rotary/tilt coupling S</b> <b>101550012</b> RAL 9006 white-aluminium</p> <ul style="list-style-type: none"> <li>• Standard hole pattern VESA 75/100 and 60 x 60 mm (CS-2000-SL)</li> <li>• With continuously adjustable tilt angle: +15°/-30°</li> <li>• Rotation angle 300° with stop</li> <li>• Weight: 1.89 kg</li> </ul>						
<p><b>Rotary/tilt coupling W</b> <b>101550015</b> RAL 9006 white-aluminium</p> <ul style="list-style-type: none"> <li>• Standard hole pattern VESA 75/100 and 60 x 60 mm (CS-2000-SL)</li> <li>• With continuously adjustable tilt angle: +15°/-30°</li> <li>• Rotation angle 300° with stop</li> <li>• Weight: 2.35 kg</li> </ul>						

Signal lamp adapters and other accessories available



Accessories can be found on page 82

\* = Cable guide dimensions | \*\* = Insertion depth of the support tube

Article	Application example	Dimensions in mm			
 <p><b>Panel coupling W   15° inclined, incl. VESA adaptation</b>  <b>1015500014</b> RAL 9006 white aluminium</p> <ul style="list-style-type: none"> <li>• For attachments to the rear of panels / displays or operating enclosures with a screw-fit rear panel</li> <li>• Fixed inclination of 15°, can be mounted tilted upwards or downwards</li> <li>• Standard hole pattern VESA 75/100</li> <li>• Angle of rotation 300° with stop</li> <li>• Screw-fit installation opening</li> <li>• Weight: 1.87 kg</li> </ul>					
 <p><b>Elbow</b>  <b>1015500016</b> RAL 9006 white aluminium</p> <ul style="list-style-type: none"> <li>• Screw-fit installation opening</li> <li>• Weight: 0.64 kg</li> </ul>					
 <p><b>Elbow, rotary</b>  <b>1015500017</b> RAL 9006 white aluminium</p> <ul style="list-style-type: none"> <li>• Angle of rotation 300° with stop</li> <li>• Screw-fit installation opening</li> <li>• Weight: 1.22 kg</li> </ul>					
 <p><b>Intermediate joint</b>  <b>1015500018</b> RAL 9006 white aluminium</p> <ul style="list-style-type: none"> <li>• Angle of rotation 300° with stop</li> <li>• 2 screw-fit installation opening</li> <li>• Weight: 1.70 kg</li> </ul>					
 <p><b>Top joint</b>  <b>1015500022</b> RAL 9006 white aluminium</p> <ul style="list-style-type: none"> <li>• Angle of rotation 300° with stop</li> <li>• Screw-fit installation opening</li> <li>• Weight: 1.30 kg</li> </ul>					

\* = Cable guide dimensions | \*\* = Insertion depth of the support tube

Article	Application example	Dimensions in mm
<p><b>Wall joint S</b>  <b>1015500019</b> RAL 9006 white aluminium</p> <ul style="list-style-type: none"> <li>• Angle of rotation 300° with stop</li> <li>• Screw-fit installation opening</li> <li>• Weight: 1.30 kg</li> </ul>		
<p><b>Wall joint W</b>  <b>1015500020</b> RAL 9006 white aluminium</p> <ul style="list-style-type: none"> <li>• Angle of rotation 300° with stop</li> <li>• 2 screw-fit installation opening</li> <li>• Weight: 1.76 kg</li> </ul>		
<p><b>Base / wall flange</b>  <b>1015500023</b> RAL 9006 white aluminium</p> <ul style="list-style-type: none"> <li>• Weight: 0.46 kg</li> </ul>		
<p><b>Base, rotary</b>  <b>1015500021</b> RAL 9006 white aluminium</p> <ul style="list-style-type: none"> <li>• Angle of rotation 300° with stop</li> <li>• Weight: 0.84 kg</li> </ul>		

**Tube profiles** Anodised aluminium

Standard lengths (available from stock)

Article number	Length [mm]	Weight [kg]	additional note
9524029000	250	1,02	-
9524030000	500	2,04	-
9524031000	750	3,06	-
9524032000	1000	4,08	-
9524033000	1250	5,10	-
9524034000	1500	6,12	Observe maximum boom length
9524035000	2000	8,17	Observe maximum boom length



**Customised cutting to length**



Two parallel surfaces facilitate clamping in a vice so that the support tube can be safely separated. The cut surface only needs to be deburred, no further work steps are necessary.

\* = Cable guide dimensions | \*\* = Insertion depth of the support tube



Ordering data CS-B.light

Artikel	
	<p><b>Swivel angle limiter for coupling and joint components</b>  <b>9806000343</b></p> <ul style="list-style-type: none"> <li>• Easy to retrofit</li> <li>• Balls limit the swivel angle after installation</li> <li>• Adjustable in steps of 12,8°</li> <li>• Contains ten ø 8 mm steel balls</li> </ul>
	<p><b>Signal lamp adapter</b>  <b>9806000344</b> Elbow components RAL 9006 white aluminium  <b>9806000345</b> Joint components RAL 9006 white aluminium</p> <ul style="list-style-type: none"> <li>• Easy to retrofit</li> <li>• Installation opening for signal lamp tubes with outside diameter of 25 mm</li> <li>• Secured on side with setscrews</li> <li>• Material: Aluminium</li> <li>• Signal lamp not included in the scope of delivery</li> </ul>
	<p><b>Adapterplatte VESA gerade</b>  <b>9806000370</b> RAL 9006 weiß-aluminium</p> <ul style="list-style-type: none"> <li>• Standardmäßiges Lochbild VESA 75/100 und 60 x 60 mm (CS-2000-SL)</li> <li>• Gewicht: 0,34 kg</li> </ul>
	<p><b>Adapterplatte VESA 15° geneigt</b>  <b>9806000371</b> RAL 9006 weiß-aluminium</p> <ul style="list-style-type: none"> <li>• Standardmäßiges Lochbild VESA 75/100 und 60 x 60 mm (CS-2000-SL)</li> <li>• Gewicht: 0,25 kg</li> </ul>
	<p><b>Adapterplatte CS-2000-SL gerade</b>  <b>9806000372</b> RAL 9006 weiß-aluminium</p> <ul style="list-style-type: none"> <li>• Standardmäßiges Lochbild 60 x 60 mm</li> <li>• Gewicht: 0,30 kg</li> </ul>
	<p><b>Adapterplatte CS-2000-SL 15° geneigt</b>  <b>9806000365</b> RAL 9006 weiß-aluminium</p> <ul style="list-style-type: none"> <li>• Standardmäßiges Lochbild 60 x 60 mm</li> <li>• Gewicht: 0,22 kg</li> </ul>
	<p><b>Adapterplatte RWH</b>  <b>9806000366</b> RAL 9006 weiß-aluminium</p> <ul style="list-style-type: none"> <li>• zur Anbindung an SIEMENS PRO© IPCs</li> <li>• Gewicht: 0,21 kg</li> </ul>
	<p><b>Montageschlüssel</b>  <b>9806000346</b></p> <ul style="list-style-type: none"> <li>• Werkzeug zur Einstellung der Schwenkkraft</li> <li>• Gewicht: 2,35 kg</li> </ul>

Ordering data CS-3000

Artikel	
	<p><b>Swivel angle limiter for coupling and joint components</b>  <b>9805296000</b></p> <ul style="list-style-type: none"> <li>• Easy to retrofit</li> <li>• Balls limit the swivel angle after installation</li> <li>• Adjustable in steps of 13,7°</li> <li>• Contains ten ø 10 mm steel balls</li> </ul>
	<p><b>Signal lamp adapter</b>  <b>9805317000</b> Joint components RAL 9006 white aluminium  <b>9805318000</b> Elbow components RAL 9006 white aluminium</p> <ul style="list-style-type: none"> <li>• Easy to retrofit</li> <li>• Installation opening for signal lamp tubes with outside diameter of 25 mm</li> <li>• Secured on side with setscrews</li> <li>• Material: Aluminium</li> <li>• Signal lamp not included in the scope of delivery</li> </ul>

Ordering data CS-3000<sup>next</sup>

Artikel	
	<p><b>Swivel angle limiter for coupling and joint components</b>  <b>9806906000</b></p> <ul style="list-style-type: none"> <li>• Easy to retrofit</li> <li>• Angle limiter limit the swivel angle after installation</li> <li>• Adjustable in steps of 30°</li> <li>• Contains 10 swivel angle limiter</li> </ul>
	<p><b>Signal lamp adapter</b>  <b>9805400000</b> Joint components RAL 9006 white aluminium  <b>9805401000</b> Elbow components RAL 9006 white aluminium  <b>9805402000</b> Reducing elbow RAL 9006 white aluminium</p> <ul style="list-style-type: none"> <li>• Easy to retrofit</li> <li>• Installation opening for signal lamp tubes with outside diameter of 25 mm</li> <li>• Secured on side with setscrews</li> <li>• Material: Aluminium</li> <li>• Signal lamp not included in the scope of delivery</li> </ul>